

***BOSE***<sup>®</sup>

# L1<sup>®</sup> model 1S system with ToneMatch<sup>®</sup> port

---

Owner's Guide

Brugervejledning

Bedienungsanleitung

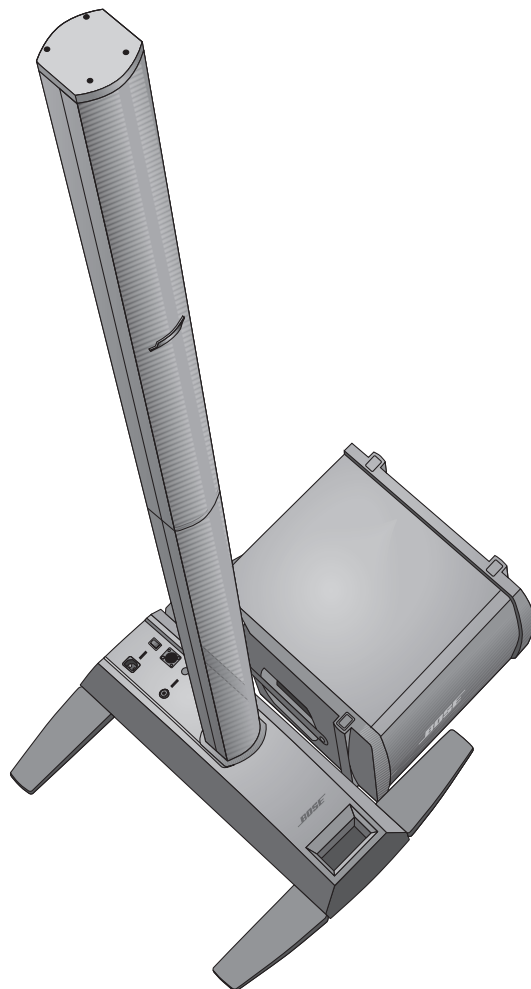
Guía de usuario

Notice d'utilisation

Manuale di istruzioni

Gebruiksaanwijzing



Bruksanvisningen

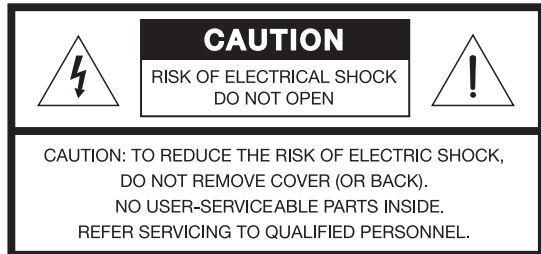




# SAFETY INFORMATION






## Please read this owner's guide


Please take the time to follow the instructions in this owner's guide carefully. It will help you set up and operate your system properly and enjoy its advanced features. Please save this owner's guide for future reference.

-  **WARNING:** To reduce the risk of fire or electrical shock, do not expose the system to rain or moisture.
-  **WARNING:** To reduce the risk of electric shock, do not disassemble this system unless you are qualified. Refer servicing to qualified service personnel.



-  The lightning flash with arrowhead symbol within an equilateral triangle alerts the user to the presence of uninsulated, dangerous voltage within the system enclosure that may be of sufficient magnitude to constitute a risk of electrical shock.
-  The exclamation point within an equilateral triangle, as marked on the system, is intended to alert the user to the presence of important operating and maintenance instructions in this owner's guide.

-  **CAUTION:** This product shall be connected to a mains socket outlet with a protective earthing connection.
-  **CAUTION:** Make no modifications to the system or accessories. Unauthorized alterations may compromise safety, regulatory compliance, and system performance.
-  **CAUTION:** Do not place any naked flame sources, such as lighted candles, on or near the apparatus.
-  **CAUTION:** Where the mains plug or appliance coupler is used as the disconnect device, such disconnect device shall remain readily operable.
-  **Note:** The product must be used indoors. It is neither designed nor tested for use outdoors, in recreation vehicles, or on boats.

 This product conforms to all applicable EU requirements. The complete Declaration of Conformity can be found at: [www.Bose.com/compliance](http://www.Bose.com/compliance).

**Please complete for your records**


Now is a good time to record the serial numbers of your system here and on your product registration card. You can register your product online at [www.Bose.com/register](http://www.Bose.com/register) or call (800) 905-1044. Failure to do so will not affect your warranty rights.

L1® model 1S power stand: \_\_\_\_\_

Top array and bottom extension: \_\_\_\_\_

B1 or B2 bass module: \_\_\_\_\_

## IMPORTANT SAFETY INSTRUCTIONS

1. Read these instructions.
2. Keep these instructions.
3. Heed all warnings.
4. Follow all instructions.
5. Do not use this apparatus near water.
6. Clean only with a dry cloth.
7. Do not block any ventilation openings. Install in accordance with the manufacturer's instructions.
8. Do not install near any heat sources, such as radiators, heat registers, stoves, or other apparatus (including amplifiers) that produce heat.
9. Do not defeat the safety purpose of the polarized or grounding-type plug. A polarized plug has two blades with one wider than the other. A grounding-type plug has two blades and a third grounding prong. The wider blade or third prong is provided for your safety. If the provided plug does not fit into your outlet, consult an electrician for replacement of the obsolete outlet.
10. Protect the power cord from being walked on or pinched, particularly at plugs, convenience receptacles, and the point where they exit from the apparatus.
11. Only use attachments/accessories specified by the manufacturer.
12. Use only with the cart, stand, tripod, bracket, or table specified by the manufacturer or sold with the apparatus.  When a cart is used, use caution when moving the cart/apparatus combination to avoid injury from tip-over.
13. Unplug this apparatus during lightning storms or when unused for long periods of time.
14. Refer all servicing to qualified service personnel. Servicing is required when the apparatus has been damaged in any way, such as power-supply cord or plug is damaged, liquid has been spilled or objects have fallen into the apparatus, the apparatus has been exposed to rain or moisture, does not operate normally, or has been dropped.
15. To prevent risk of fire or electric shock, avoid overloading wall outlets, extension cords, or integral convenience receptacles.
16. Do not let objects or liquids enter the product – as they may touch dangerous voltage points or short-circuit parts that could result in a fire or electric shock.
17. See product enclosure bottom for safety-related markings.
18. Use proper power sources – Plug the product into a proper power source, as described in the operating instructions or as marked on the product.
19. Apparatus shall not be exposed to dripping or splashing, and no objects filled with liquids, such as vases, shall be placed on the apparatus.

### Information about products that generate electrical noise

NOTE: This equipment has been tested and found to comply with the limits for a Class A digital device, pursuant to part 15 of the FCC Rules. These limits are designed to provide reasonable protection against harmful interference when the equipment is operated in a commercial environment. This equipment generates, uses, and can radiate radio frequency energy and, if not installed and used in accordance with the instruction manual, may cause harmful interference to radio communications. Operation of this equipment in a residential area is likely to cause harmful interference in which case the user will be required to correct the interference at their own expense.

Changes or modifications not expressly approved by Bose Corporation could void the user's authority to operate this equipment.

This Class A digital apparatus complies with Canadian ICES-003.

Initial turn on inrush current: 32 Amps

Inrush current after AC mains interruption of 5 seconds: 32 Amps

This product meets all EN55103-2 immunity requirements for E2 electromagnetic environment.

<b>INTRODUCTION</b>	<b>5</b>
Welcome .....	5
Features and benefits .....	5
Product overview .....	6
Connections and controls .....	7
<b>SYSTEM SETUP</b>	<b>9</b>
Parts list .....	9
Positioning your system .....	10
Setting up the power stand .....	11
Assembling the L1® model 1S system .....	11
Connecting to AC power .....	12
Connecting the B1 or B2 bass module .....	13
Adding a T1 ToneMatch® audio engine (optional) .....	14
Adding a second B1 bass module (optional) .....	15
<b>OPERATING INFORMATION</b>	<b>17</b>
Setting the analog input level .....	17
Using a T1 ToneMatch® audio engine and an analog input source .....	17
User scenarios .....	17
Single musician .....	17
Multiple musicians .....	18
Full band .....	19
DJ events .....	20
<b>CARE AND MAINTENANCE</b>	<b>21</b>
Caring for your product .....	21
Cleaning .....	21
Getting service .....	21
Troubleshooting .....	21
Limited Warranty and Registration .....	23
Accessories .....	23
Technical Information .....	23
Mechanical .....	23
Electrical .....	23
Audio Input/Output .....	23

# INTRODUCTION

---

## Welcome

Thank you for purchasing the Bose® L1® model 1S system with ToneMatch® port. Based on a revolutionary new technology, this system brings the benefits of an intimate acoustic concert to amplified performance.

This owner's guide provides detailed setup and operating instructions for your L1 system and explains how to connect equipment to it.

For additional information on using this system, including tips, techniques, and frequently asked questions, please visit [www.Bose.com/livesound](http://www.Bose.com/livesound) on the Internet.

## Features and benefits

- **You control the sound** – Just as in an unamplified performance, you control the sound. You will no longer wonder how you sound to your fellow musicians or to your audience because you will hear what they hear.
- **Quick and easy setup** – The L1 system is easy to carry and can be set up in minutes, not hours. This frees you from the time-consuming and often frustrating effort required to properly set up conventional sound equipment.
- **Dramatically improved performance** – Compared to using conventional equipment, performance and enjoyment dramatically improve because the struggle to hear yourself and the other musicians is diminished.
- **Creates excitement and emotion** – Enhanced performance of the musicians creates the kind of excitement and emotion that is valued by music lovers.
- **You hear what the audience hears** – For the first time, musicians hear what their audiences hear and thus, are less likely to play at uncomfortable sound levels.
- **The music is naturally dynamic** – The softest to the most intense passages can be heard and enjoyed.
- **Improves your appearance** – There is less equipment on the stage and more room.
- **Sound reproduction unlike before** – Audience members report that the clarity and excitement that come from hearing the accurate reproduction of sound from each instrument, and from hearing the sound of each instrument in its position on stage (as opposed to mono or even stereo mix of all instruments), is unlike anything they have heard before in an amplified performance.

## Product overview

The L1® model 1S system – with ToneMatch® port consists of: the power stand, bottom extension, top array, and a B1 or B2 bass module. The system also comes with a padded carrying bag for each of its parts.

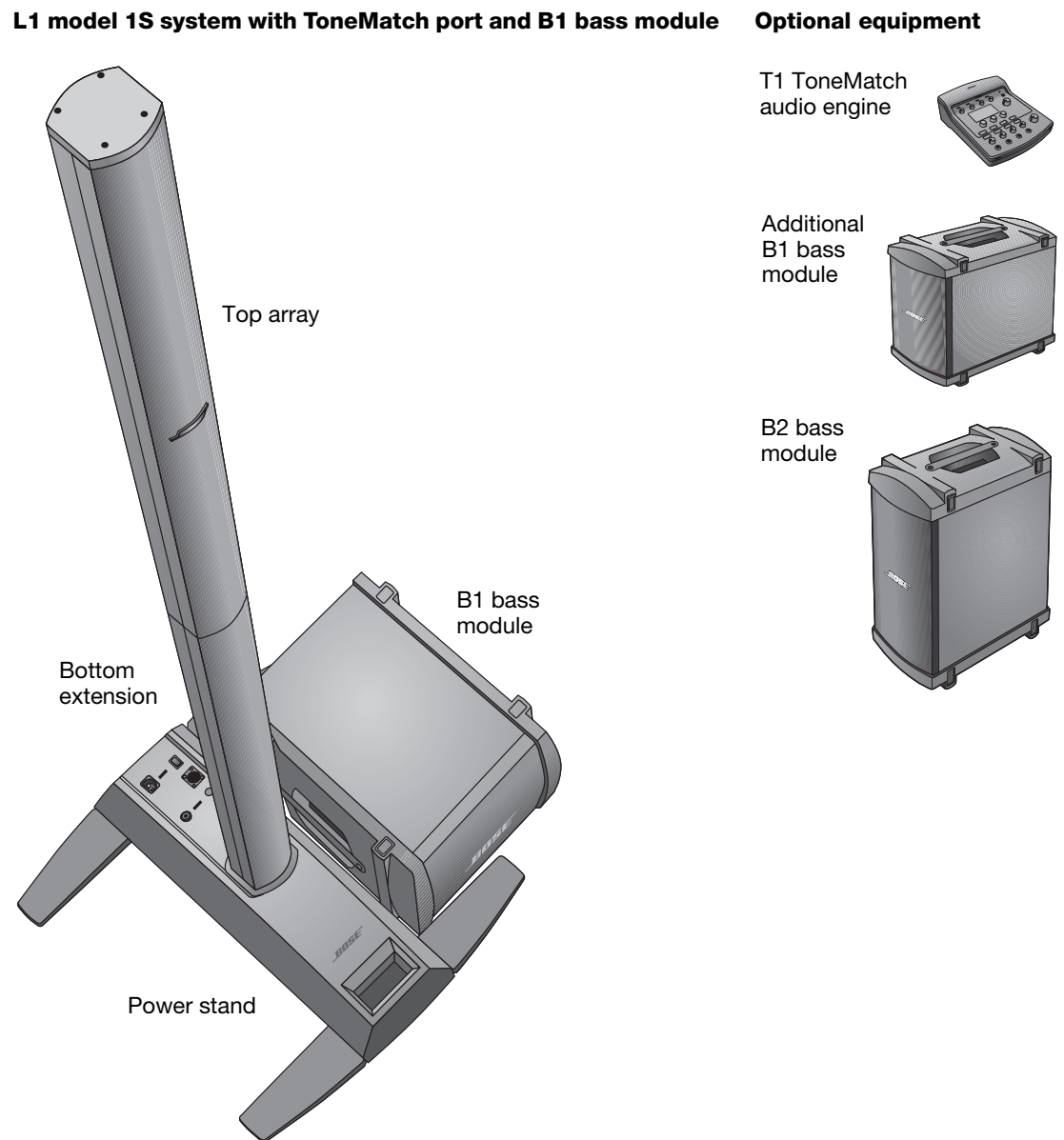
To expand your system and enhance performance, you can add:

- A second B1 bass module for bass guitar, kick drum, or organ. Each power stand can power up to two B1 bass modules.
- A T1 ToneMatch audio engine for digital signal processing, additional inputs and user-interface control.

For a complete list of optional equipment and accessories, please visit: [www.Bose.com/livesound](http://www.Bose.com/livesound).

### Figure 1

L1 model 1S system and optional equipment

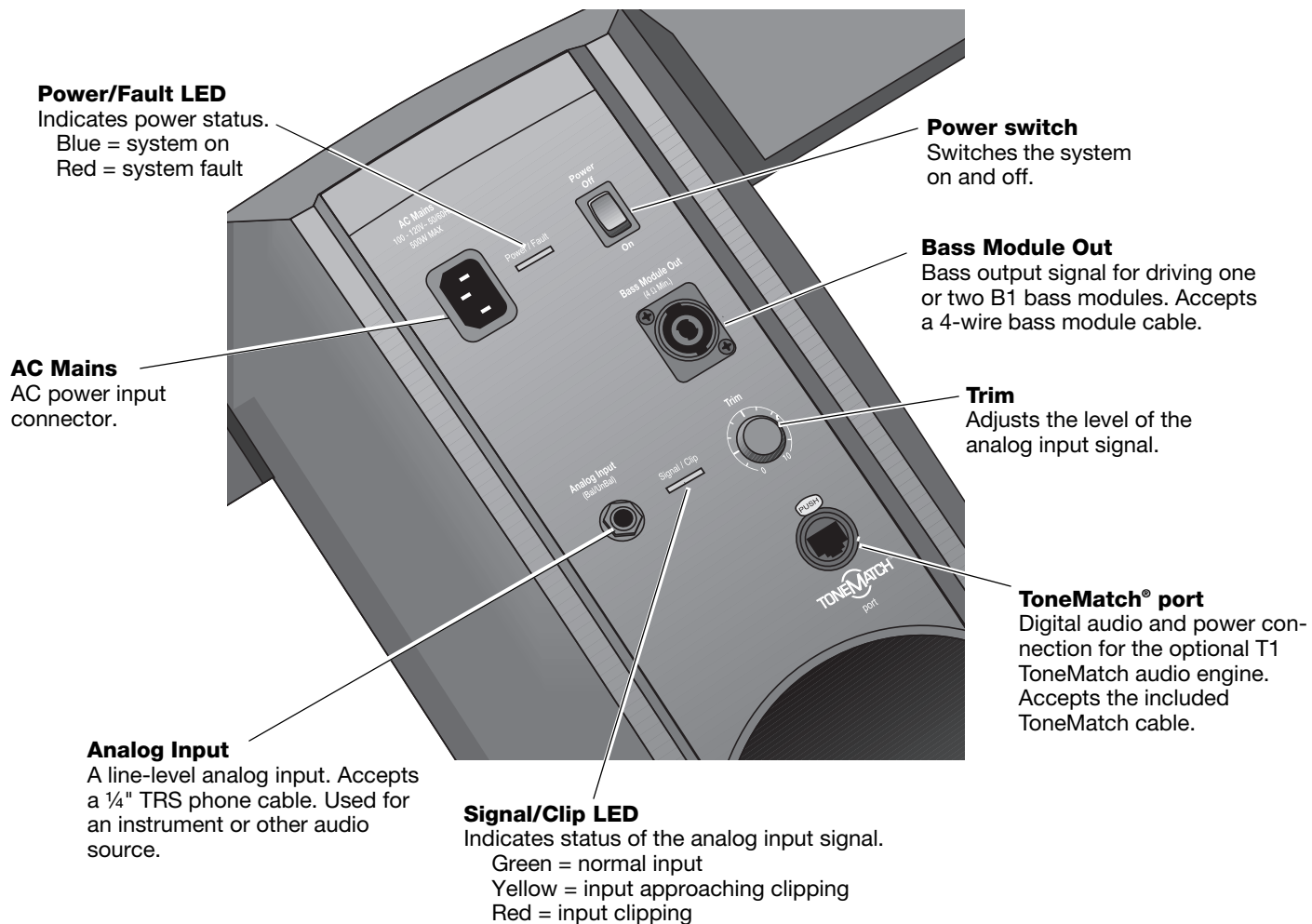


## Connections and controls

The top panel of the power stand provides system connectors and controls (Figure 2).

**Figure 2**

Power stand top panel

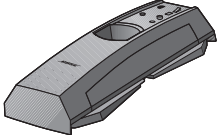
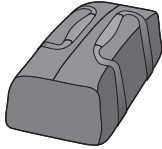




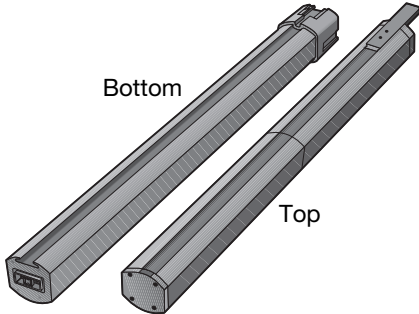
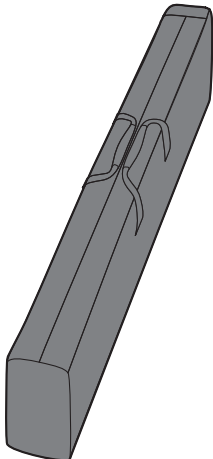


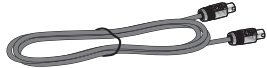



# SYSTEM SETUP

## Parts list

The L1® system is shipped in three cartons. Carefully unpack the cartons and check that you have all the items listed on this page.

**WARNING:** To avoid danger of suffocation, keep the plastic bags out of the reach of children.

Power stand carton	Array and extension carton	B1 or B2 bass module carton
<p>L1 power stand</p>  <p>Carrying bag</p>  <p>AC power cord</p>  <p>Quick setup guide</p>  <p>Owner's guide</p>  <p>Product registration card</p> 	<p>L1 model 1S top array and bottom extension</p>  <p>Bottom</p> <p>Top</p> <p>Carrying bag</p> 	<p>B1 or B2 bass module</p>  <p>Cover</p>  <p>Bass module cable (4-wire)</p>  <p>B1 or B2 bass module owner's guide</p> 



## Positioning your system

Placing the power stand in the right location is an important part of setting up this product. Determining the best location for your performance depends on several things.

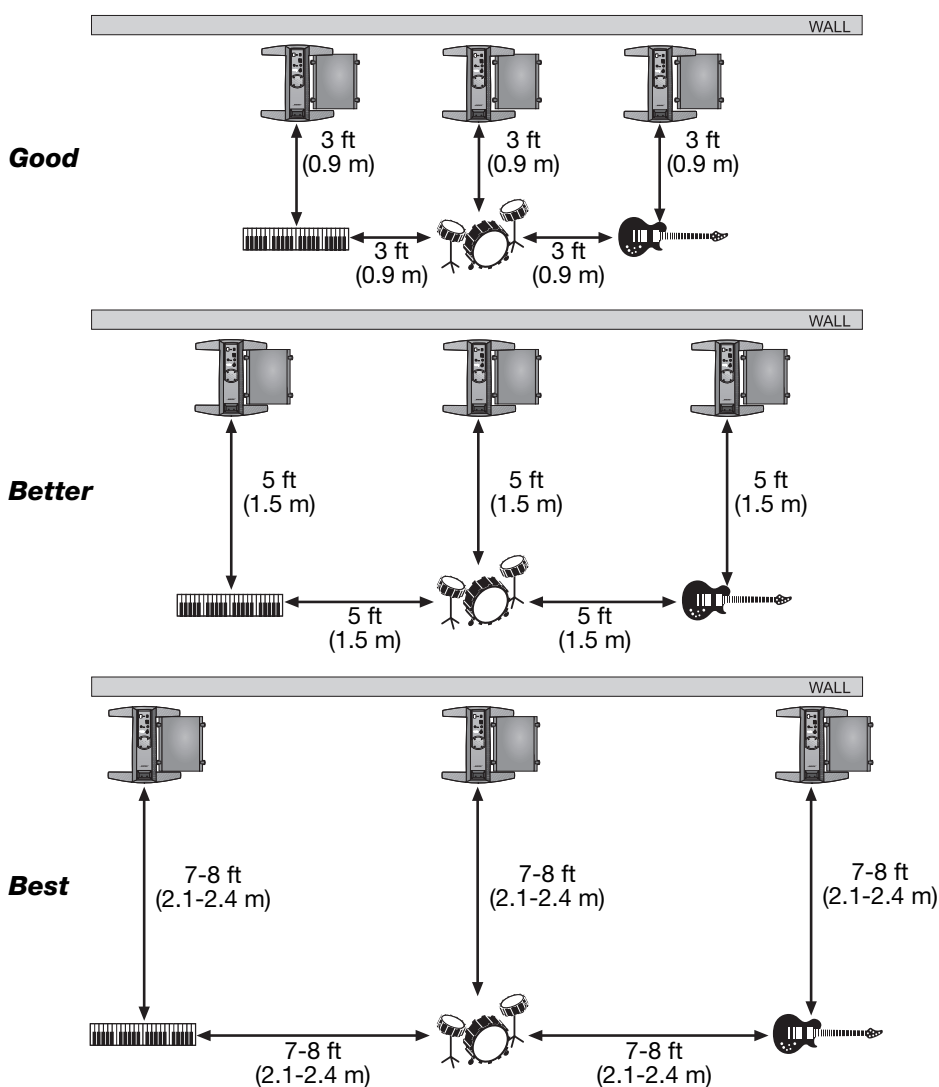
- Size of staging area
- Number of performers
- Shared system (adding a T1 ToneMatch® audio engine and multiple instruments)

The following guidelines should get you started in setting up for a concert or show.

- Set up your system in the rear area of the performance stage.
- If possible, position your system behind the performer(s).
- If you are part of a group, avoid crowding together on stage. Allow some distance, ideally 7-8 feet (2.1-2.4 m), between you and the L1® system and another performer. This allows the sound to wrap around performers and reflect off adjacent surfaces of the room, creating a more pleasing room-filling sound.

**Figure 1**

Placement recommendations



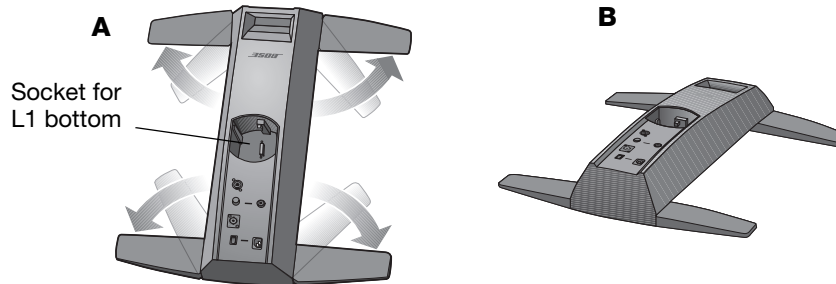
## SYSTEM SETUP

## Setting up the power stand

1. Holding the power stand vertically on the foot (Figure 2A), grasp one leg and swing it out as far as it will go. Notice that the other legs swing out automatically. **The legs must be fully open before you can plug the extension into the power stand.**
2. Lay the power stand flat on the floor in the desired position (Figure 2B).

**Figure 2**

Putting the power stand on the floor



**WARNING:** DO NOT move the completely assembled system as a unit. This could result in personal injury and/or damage to the product. Position the power stand on the floor in the chosen location before assembling the system.

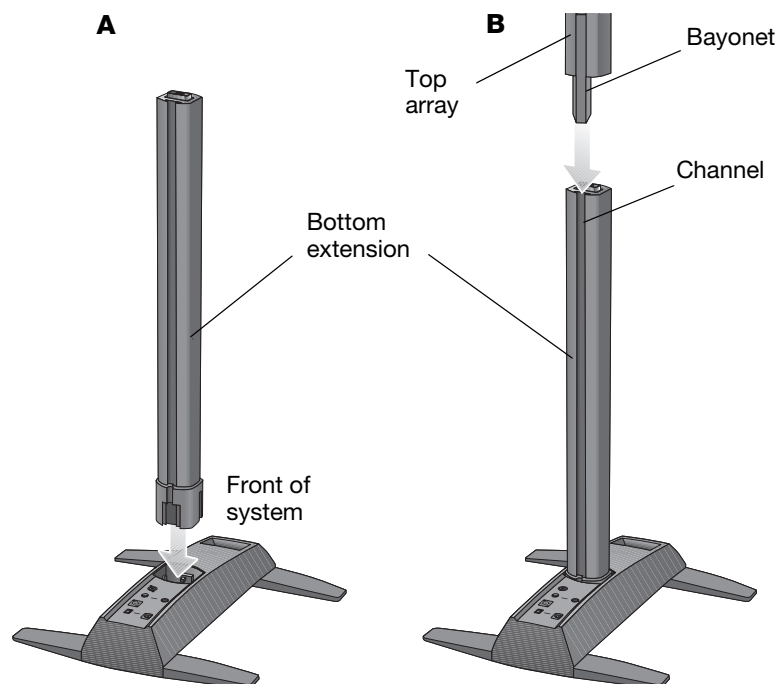
## Assembling the L1® model 1S system

This procedure tells you how to set up the loudspeaker sections in the power stand. If you plan to mount the T1 ToneMatch® audio engine on the L1 model 1S system, see “Adding a T1 ToneMatch® audio engine (optional)” on page 13 before installing the top array of the loudspeaker.

1. Hold the bottom extension so that the cover faces front and plug it into the power stand (Figure 3A). Be sure to fully insert it into the socket to assure stability and a good connection.
2. Align the bayonet on the top array with the channel on the back of the bottom, and lower the top onto the bottom until it is flush (Figure 3B).

**Figure 3**

Setting up the system

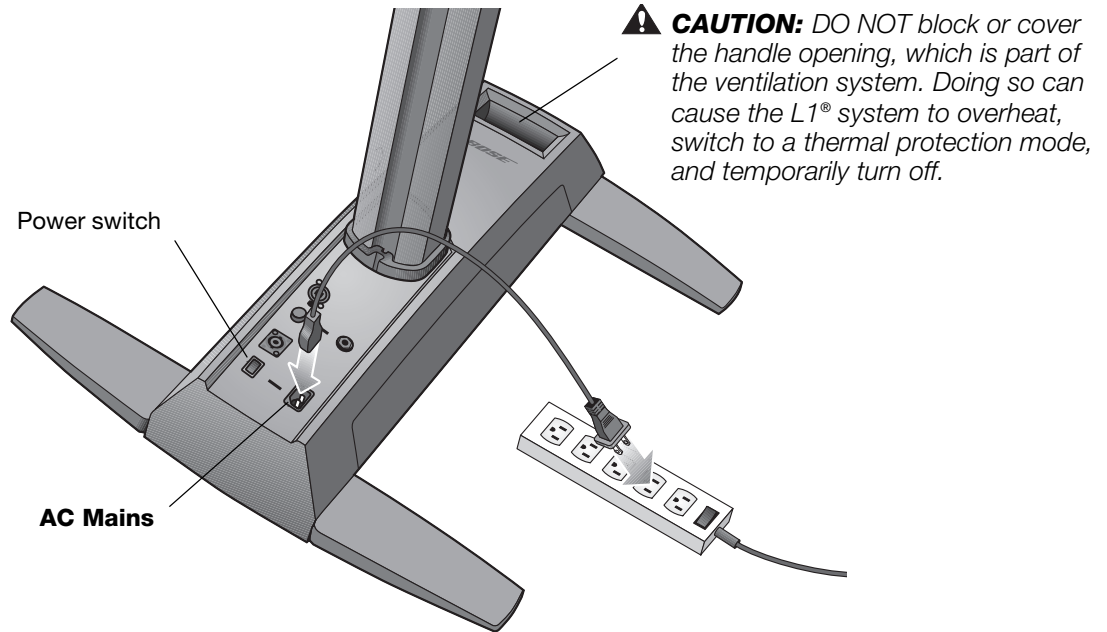


## Connecting to AC power

1. Make sure the power switch is off.
2. Plug one end of the AC power cord into the **AC Mains** connector on the power stand.
3. Plug the other end into a live AC (mains) receptacle (Figure 4).

**Figure 4**

Power connections



**CAUTION:** Bose recommends using a quality surge suppressor on all electronic equipment. Voltage variations and spikes can damage electronic components in any system. A quality suppressor, which can eliminate the vast majority of failures attributed to surges, may be purchased at electronics stores.

## Connecting the B1 or B2 bass module

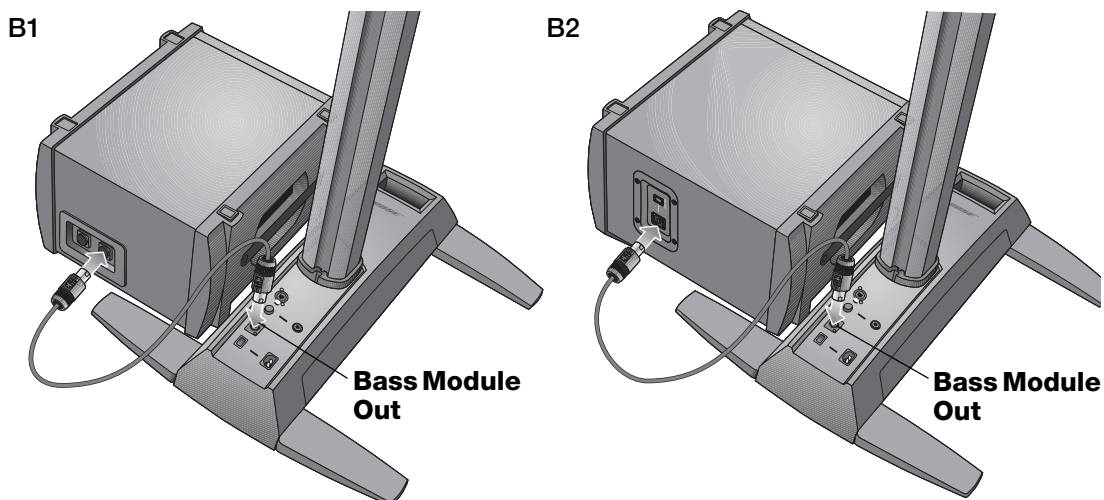
You can place the B1 or B2 bass module either vertically or horizontally on the floor. It fits neatly between the legs of the power stand.

1. Plug one end of the B1 or B2 bass module cable into one of the bass connectors. Rotate the plug clockwise to lock it in place. You should hear a soft click as it locks.
2. Plug the other end of the cable into the **Bass Module Out** connector on the power stand. Rotate the plug clockwise to lock it.

🎵 **Note:** To disconnect a B1 or B2 cable, slide back the metal tab on the body of the plug, rotate the plug counterclockwise, and pull it out of the connector.

**Figure 5**

B1 and B2 bass modules



### ⚠️ CAUTIONS:

- DO NOT connect any bass module other than the B1 or B2 to the power stand.
- DO NOT substitute the supplied cable with a 2-wire speaker cable. Use only the supplied B1 bass module 4-wire cable to connect the B1 bass module to the power stand. The power stand uses the signals on two of the wires to automatically sense how many B1 or B2 bass modules are connected.
- DO NOT connect a B1 or B2 bass module to two power stands at the same time.

## Adding a T1 ToneMatch® audio engine (optional)

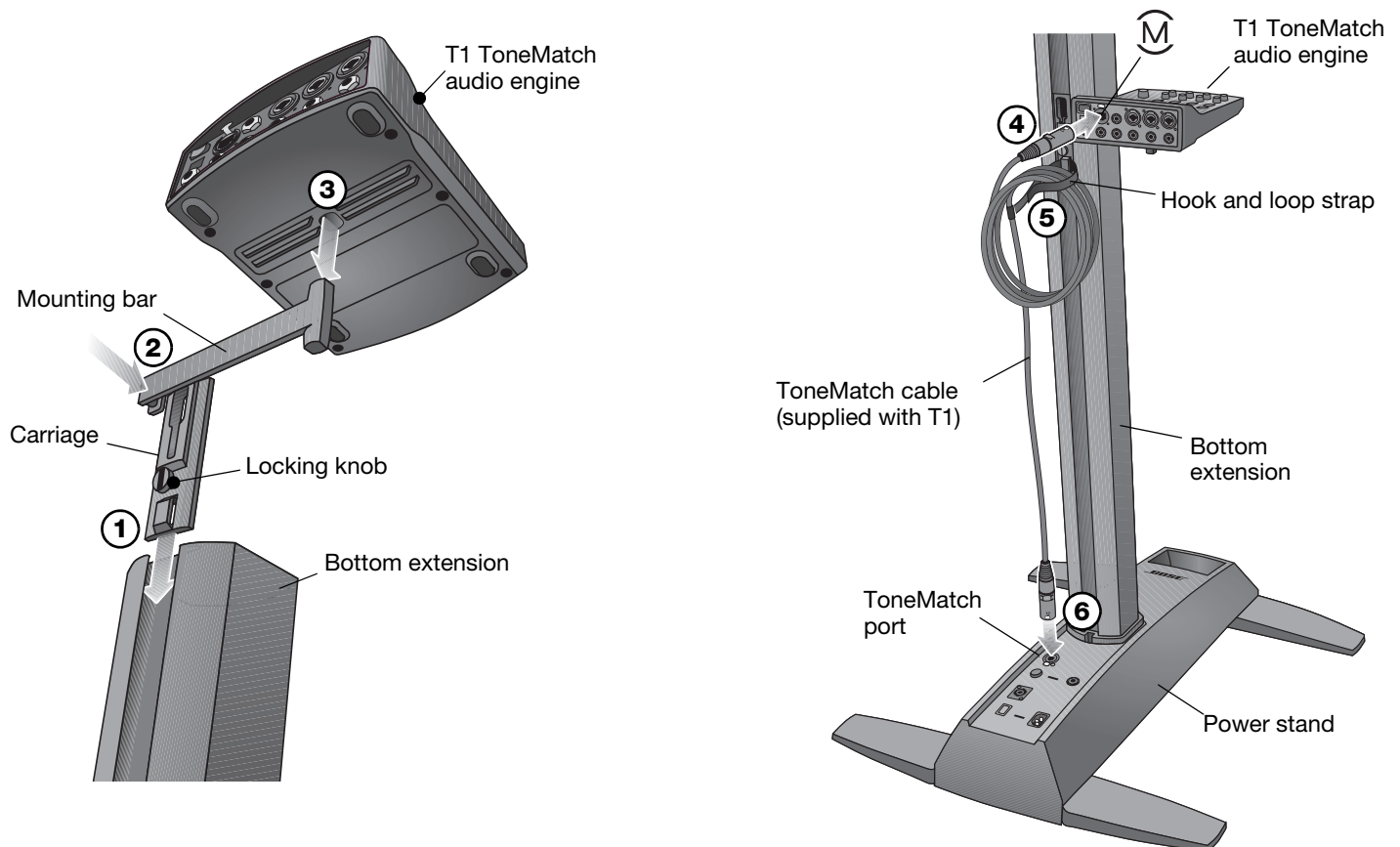
The T1 ToneMatch® audio engine provides additional input/output capabilities to your system, plus digital signal processing to customize the way you sound. The audio engine comes with hardware for mounting it on the left or right side of the bottom extension.

🎵 **Note:** The audio engine mounts on the bottom section of the loudspeaker and requires removal of the top section before starting this procedure.

1. Slide the carriage into the channel on the rear of the bottom extension and turn the knob clockwise to lock it in place (Figure 6).
2. Insert the mounting bar into the slot in the carriage and push it downward.
3. Place the T1 on the mounting bar as shown.
4. Plug one end of the ToneMatch cable (supplied with the audio engine) into the ToneMatch output port (M) on the T1.
5. Using the hook and loop strap, secure the cable to the carriage.
6. Plug the other end of the cable into the ToneMatch port on the power stand.

**Figure 6**

Mounting the T1



## Adding a second B1 bass module (optional)

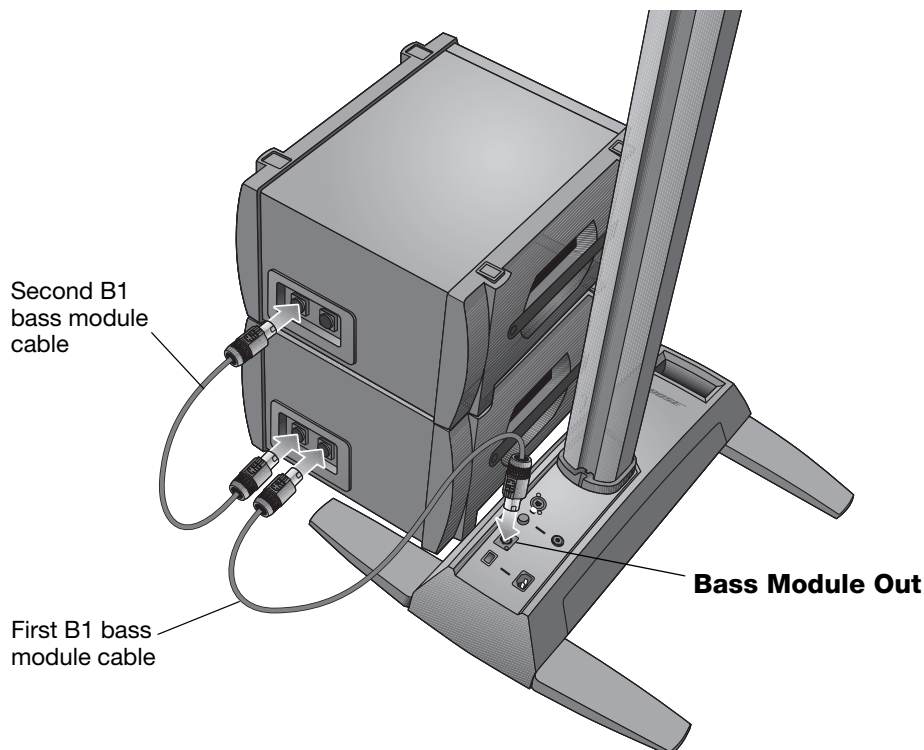
The bass module output of the power stand can adequately drive one or two B1 bass modules. When placed horizontally, the modules are stackable (Figure 7).

**⚠ CAUTION:** Do not connect more than two B1 bass modules to the **Bass Module Out** connector on the power stand. Driving more than two B1 bass modules from this output improperly loads the amplifier in the power stand, resulting in less than full system performance.

1. Connect the first B1 to the **Bass Module Out** connector on the power stand.
2. Plug one end of the second B1 cable into the unused connector of the first B1. Plug the other end of the cable into one of the connectors of the second B1.

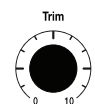
**Figure 7**

Installation of two B1 bass modules



## OPERATING INFORMATION

### Setting the analog input level



When connecting an audio source to the **Analog Input**, follow these steps to adjust the input **Trim** control.

1. Set the **Trim** control on the power stand to the 0 (zero) position.
2. Connect the audio source to the **Analog Input**.
3. Adjust the volume of the audio source to the desired level.
4. While playing the source, increase the **Trim** level until the **Signal/Clip** indicator glows green or yellow.
5. If the **Signal/Clip** indicator glows red, decrease the **Trim** level so that it glows only green or yellow.

### Using a T1 ToneMatch® audio engine and an analog input source

The L1® model 1S system can operate with both a T1 ToneMatch® audio engine and an analog audio source connected to the power stand. However, keep in mind that the volume level of the audio engine and the analog audio source is adjusted independently.

- The power stand **Trim** control only affects the volume level of the analog audio source connected to the **Analog Input**. Therefore, the **Signal/Clip** indicator indicates the status only of the analog input signal.
- The T1 ToneMatch audio engine has a **Trim** control and signal/clip indicator for each input, a **Volume** control for each output channel, and a **Master** volume control that adjusts the level of the ToneMatch output sent to the power stand. These controls have no effect on the signal fed to the **Analog Input**.

### User scenarios

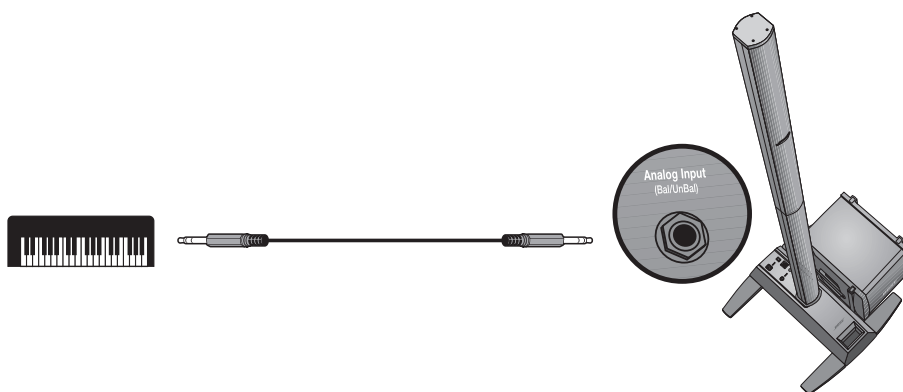
There are many ways to set up and use this system with and without the T1 ToneMatch audio engine. The following pages show examples of some typical user scenarios. When using the T1 ToneMatch audio engine, refer to its owner's guide for more information on setup and operation.

#### Single musician

A solo musician might play a single instrument through the L1 model 1S system (Figure 1). A solo musician also might play an instrument and use a microphone for vocals (Figure 2 on page 16).

**Figure 1**

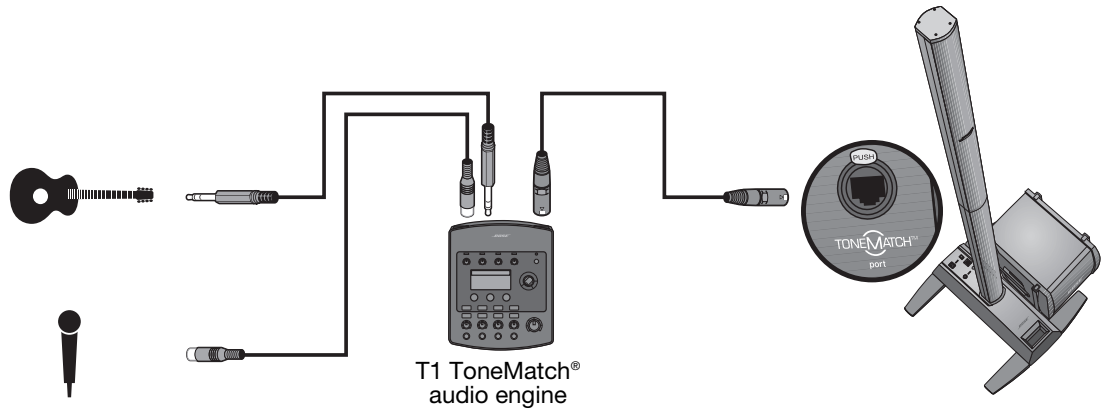
Single system with keyboard



**OPERATING INFORMATION**

**Figure 2**

*Single system with guitar and microphone*

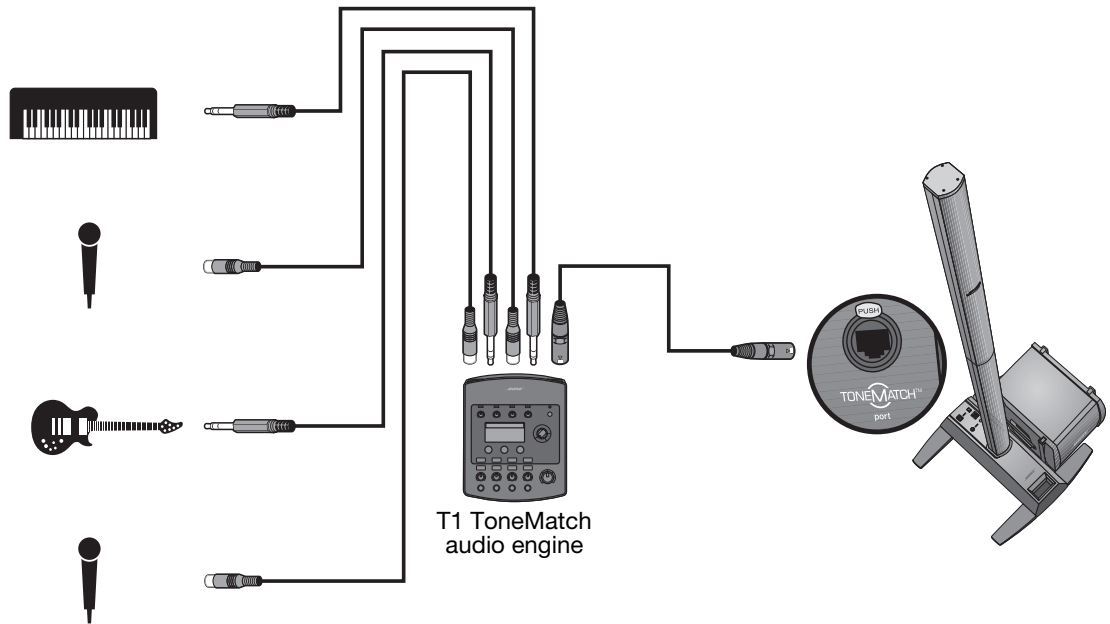


**Multiple musicians**

In this scenario, a keyboard-guitar duo sings and plays through a single T1 ToneMatch audio engine and an L1® system.

**Figure 3**

*Single system with multiple instruments and T1 ToneMatch audio engine*



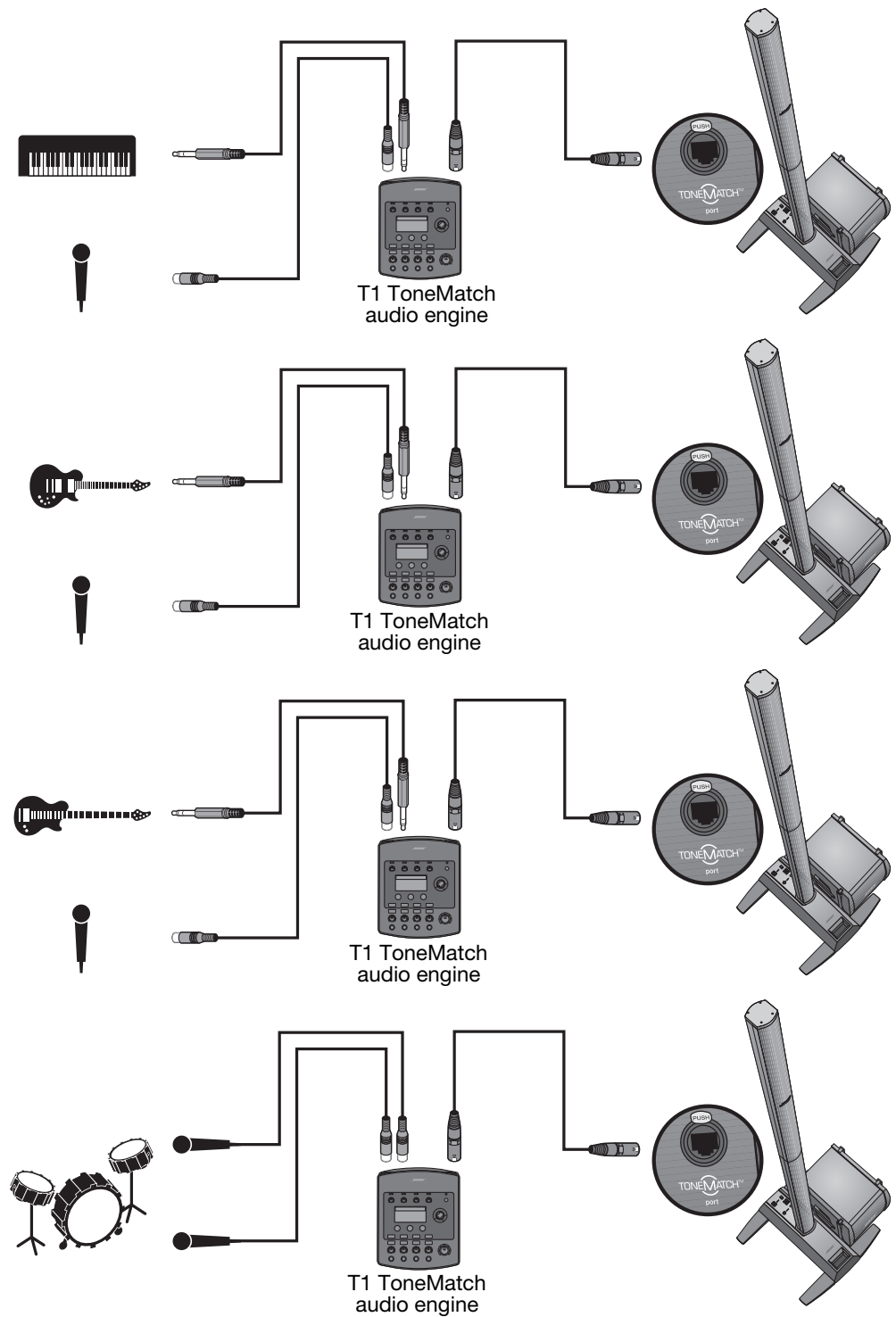


### Full band

A full band scenario is built around multiple T1 ToneMatch® audio engines and L1® systems. Each musician plays and sings through a single T1 ToneMatch audio engine and L1 system.

**Figure 4**

*Multiple systems, each with a T1 ToneMatch audio engine*

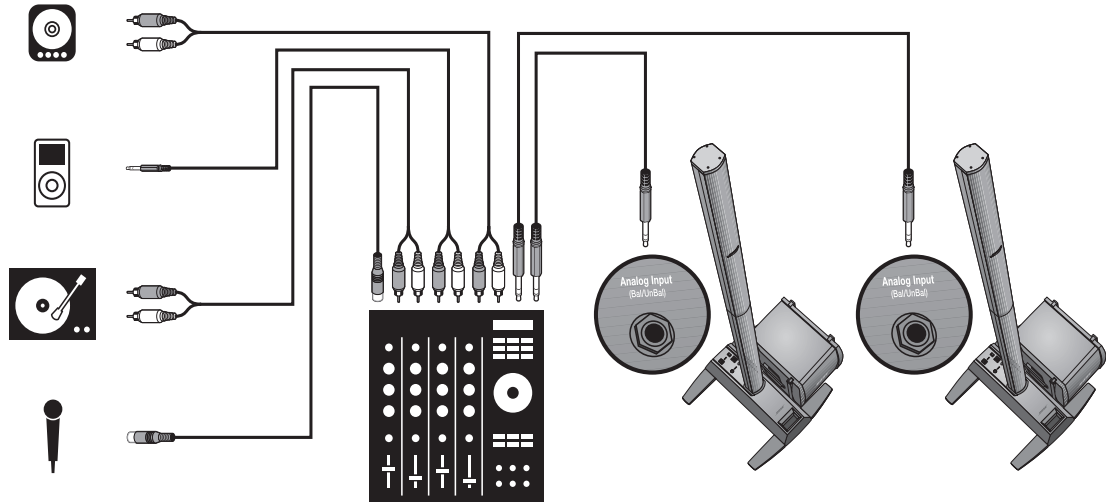


### DJ events

DJs use many types of input sources (CD player, turntable, MP3 player, etc.) plugged into a mixer. In this scenario, two mixer outputs can be fed into two L1® systems for stereo sound.

**Figure 5**

*Two systems, a mixer, and input devices*



## CARE AND MAINTENANCE

### Caring for your product

#### Cleaning

- Clean the product enclosures using only a soft, dry cloth.
- Do not use any solvents, chemicals, or cleaning solutions containing alcohol, ammonia, or abrasives.
- Do not use any sprays near the product or allow liquids to spill into any openings.
- If necessary, you may carefully vacuum the grille of the L1® loudspeaker.

#### Getting service

For additional help in solving problems, contact Bose® Live Music Customer Service Product and Technical Support Team at (877) 335-2673 or visit our support area online at [www.Bose.com/livesound](http://www.Bose.com/livesound).

### Troubleshooting

If you experience problems while using this product, try the following solutions. If you still can't solve the problem, please call the Bose Live Music Product and Technical Support Team direct at (877) 335-2673 to arrange for service.

#### Recommended troubleshooting tools

- Portable voltmeter
- Cable tester
- AC outlet tester
- XLR and ¼" phone plug cables
- B1 bass module 4-wire cable
- Spare AC power cord

<b>Problem</b>	<b>What to do</b>
System is plugged in, power switch is on, but power LED is off	<ul style="list-style-type: none"> <li>• Make sure you have power at the AC outlet. Try operating a lamp or other equipment from the same AC outlet or test the outlet using an AC outlet tester.</li> <li>• Make sure the power stand's power cord plug is fully inserted into the AC outlet.</li> </ul>
Power LED is on (green), but no sound	<ul style="list-style-type: none"> <li>• Make sure volume control is turned up on your instrument.</li> <li>• Make sure the <b>Trim</b> level control is turned up on the power stand.</li> <li>• Make sure your instrument is plugged into the <b>Analog Input</b> jack.</li> <li>• Connect your instrument to the power stand using a different cable.</li> <li>• Plug your instrument into a different amplifier to make sure the instrument is working.</li> </ul>
Power LED is red while the power stand is on	<ul style="list-style-type: none"> <li>• Please call Bose Live Music Customer Support at (877) 335-2673 for assistance.</li> </ul>
House circuit breaker keeps tripping	<ul style="list-style-type: none"> <li>• If more than one power stand is plugged into the same AC circuit, stagger the turn-on times. Each power stand has an inrush current of about 32 amps when turned on.</li> <li>• If you have more than three power stands plugged into a single 15 amp circuit, move some systems to another AC circuit. Each power stand can draw 5 amps or more when playing at high volumes for long periods of time.</li> </ul>

## CARE AND MAINTENANCE

<b>Problem</b>	<b>What to do</b>
With nothing plugged into the power stand, a slight <i>hum</i> or <i>buzz</i> is heard	<ul style="list-style-type: none"> <li>• Using an AC outlet tester, test the AC outlet that the power stand is plugged into for reversed or open (hot, neutral, and/or ground) contacts.</li> <li>• If using an extension cord, make sure that the cord is also tested as above.</li> </ul>
B1 or B2 bass module is plugged in, but no bass audio is heard	<ul style="list-style-type: none"> <li>• Make sure you are using the included 4-wire B1/B2 bass module cable.</li> <li>• Make sure the B1 or B2 bass module cable is plugged into the <b>Bass Module Out</b> connector and the cable plug is fully engaged in the connector.</li> <li>• Try a different 4-wire cable.</li> <li>• If available, try a different B1/B2 bass module.</li> </ul>
B1 bass module sounds out of balance with the system	<ul style="list-style-type: none"> <li>• Make sure you are using the B1/B2 bass module 4-wire cable included with the B1 bass module package.</li> <li>• Make sure that the B1 or B2 bass module grille is facing forward toward the musicians and audience.</li> </ul>
No mid/high sounds heard from the L1® top array	<ul style="list-style-type: none"> <li>• Make sure the L1 top array and bottom extension are firmly seated in their connectors.</li> <li>• Make sure connections are not bent or broken.</li> <li>• Try cleaning the contacts on the loudspeaker top and bottom with electronic contact spray cleaner.</li> </ul>
Instrument or audio source sounds distorted	<ul style="list-style-type: none"> <li>• Make sure the Signal/Clip LED is not constantly red. If it is, lower the trim level.</li> <li>• Try a different source or instrument.</li> <li>• Try your source or instrument on another power stand.</li> </ul>
Microphone is encountering feedback	<ul style="list-style-type: none"> <li>• Orient the microphone so that it is not pointing directly at its respective L1 system.</li> <li>• Try a different microphone.</li> <li>• Try a different position for the loudspeaker and/or vocalist on stage.</li> <li>• Increase the distance from the loudspeaker to the microphone.</li> <li>• If using a vocal effects processor, make sure it is not contributing to the feedback problem.</li> </ul>

## Limited Warranty and Registration

Your product is covered by a limited warranty. Details of the warranty are provided with your product. Register your products online at [www.Bose.com/register](http://www.Bose.com/register) or call (800) 905-1044. Failure to do so will not affect your warranty rights.

## Accessories

Visit [www.Bose.com/livesound](http://www.Bose.com/livesound), or call (800) 905-0886 for accessory information.

## Technical Information

### Mechanical

<b>Component</b>	<b>Dimensions</b>	<b>Weight</b>
Power stand:	5"H x 10"W x 27"D (12.8 cm x 26.2 cm x 69.2 cm)	23.7 lb (10.7 kg)
Top array:	43½"H x 3½"W x 4"D (111.0 cm x 9.0 cm x 10.5 cm)	16.3 lb (7.4 kg)
Bottom extension:	39.63"H x 4.15"W x 4.13"D (100.6 cm x 10.6 cm x 10.5 cm)	8.5 lb (3.8 kg)
B1 bass module:	15"H x 10¼"W x 17¾"D (38.0 cm x 26.0 cm x 45.0 cm)	25.1 lb (11.4 kg)
B2 bass module:	23.4"H x 13.31"W x 18.9"D (59.4 cm x 33.8 cm x 48 cm)	45 lb (20.41 kg)

### Electrical

- AC power rating:  
100-120V ~ 50/60Hz 500W (USA/Canada); 220-240V ~ 50/60Hz 500W (Europe)
- Peak inrush current:  
32A @ 120V ~ 60Hz (USA/Canada); 61A @ 230V ~ 50Hz (Europe)

<b>Component</b>	<b>Impedance</b>
L1® model 1S loudspeaker:	4Ω
B1 bass module:	8Ω
B2 bass module:	4Ω

### Audio Input/Output



- T1 ToneMatch® port: DC output/data input Ethercon/RJ45 connector for a T1 ToneMatch audio engine
- Analog Input: Line-level input channel for ¼" TRS phone plug
- Bass Module Out: Neutrik® NL4 output for one or two B1 bass modules

L1 and ToneMatch are registered trademarks of Bose Corporation in the U.S. and other countries. All trademarks are the property of their respective owners.

# SIKKERHEDSINFORMATION

## Læs venligst denne brugervejledning

Tag dig tid til at følge denne brugervejledning omhyggeligt. Den vil hjælpe dig med at installere og betjene systemet korrekt, så du kan drage nytte af dets avancerede funktioner. Gem denne brugervejledning, så du har den til rådighed senere.





-  **ADVARSEL:** Systemet må ikke udsættes for regn eller fugtighed af hensyn til risikoen for brand eller elektrisk stød.
-  **ADVARSEL:** Skil ikke systemet ad, medmindre du er kvalificeret til det, af hensyn til risikoen for elektrisk stød. Overlad serviceringen til kvalificeret servicepersonale.




Et lyn med pilehoved i en ligebeinet trekant gør brugeren opmærksom på, at der i systemets kabinet kan være uisoleret farlig spænding, der kan være så kraftig, at der er risiko for elektrisk stød.



Mærket med et udråbstegn i en ligesidet trekant skal gøre brugeren opmærksom på vigtige betjenings- og vedligeholdelsesinstruktioner i denne brugervejledning.

-  **FORSIGTIG:** Dette produkt skal tilsluttes en stikkontakt med en beskyttende jordforbindelse.
-  **FORSIGTIG:** Undlad at foretage ændringer i systemet eller tilbehøret. Uautoriserede ændringer kan sætte sikkerheden, overholdelse af lovbestemmelser samt systemets ydeevne over styr.
-  **FORSIGTIG:** Placer ikke nogen form for åben ild (f.eks. stearinlys) på eller tæt ved apparatet.
-  **FORSIGTIG:** Hvis netstikket eller apparatets tænd/sluk-knap anvendes som afbryder, skal denne afbryder være let at komme til.

 **Bemærk:** Produktet skal anvendes inden døre. Det er hverken designet eller testet til udendørs brug, brug i fritidskøretøjer eller i både.

 Dette produkt overholder alle gældende EU-regler. Den komplette overensstemmelseserklæring kan findes på: [www.Bose.com/compliance](http://www.Bose.com/compliance).

### Bedes udfyldt, så du har oplysningerne til rådighed


Det er en god idé at notere dit systems serienumre her og på dit produktregistreringskort nu. Du kan registrere dit produkt online på [www.Bose.com/register](http://www.Bose.com/register) eller ringe på tlf. (800) 905-1044. Hvis du ikke gør det, har det ingen betydning for din garanti.

L1® model 1S-forstærkerfod: \_\_\_\_\_

Topsektion og bundsektion: \_\_\_\_\_

B1- eller B2-basmodul: \_\_\_\_\_

## VIGTIGE SIKKERHEDSINSTRUKTIONER

1. Læs disse instruktioner.
2. Gem disse instruktioner.
3. Ret dig efter alle advarsler.
4. Følg alle instruktioner.
5. Anvend ikke dette apparat i nærheden af vand.
6. Rengør kun med en tør klud.
7. Undgå at blokere ventilationsåbningerne. Installer i overensstemmelse med producentens instruktioner.
8. Installer ikke produktet i nærheden af varmekilder som f.eks. radiatorer, varmeovne, komfurer eller andre apparater (herunder forstærkere), der producerer varme.
9. Omgå ikke sikkerheden ved at bruge et ikke-jordforbundet stik. Et polariseret stik har to stikben, hvor det ene er bredere end det andet. Et jordforbundet stik har to ben og et tredje jordben. Det brede ben eller tredje ben er der af hensyn til din sikkerhed. Hvis det medfølgende stik ikke passer i stikkontakten, skal du kontakte en elektriker for at få stikkontakten udskiftet.
10. Beskyt netledningen mod at blive trådt på eller klemt, især ved stikkene, stikkontakter og på det sted, hvor den kommer ud af apparatet.
11. Brug kun tilslutningsudstyr/tilbehør, der er angivet af producenten.
12. Brug kun apparatet sammen med en vogn, et stativ, et beslag eller et bord, der er angivet af producenten eller solgt sammen med apparatet. Når der anvendes en vogn, skal der udvises forsigtighed ved kørsel med vogn/apparat, så det ikke vælter. 
13. Afbryd strømmen til apparatet under tordenvejr, eller når det står ubrugt i lang tid.
14. Overlad al servicering til kvalificeret servicepersonale. Et serviceeftersyn er påkrævet, hvis apparatet på nogen måde er beskadiget, hvis f.eks. netledningen eller stikket er beskadiget, der er blevet spildt væske, eller der er kommet ting ind i apparatet, hvis apparatet er blevet udsat for regn eller fugt, ikke virker normalt eller er blevet tabt.
15. Undgå at overbelaste stikkontakter, forlængerledninger eller indbyggede stik af hensyn til risikoen for brand eller elektrisk stød.
16. Undgå, at genstande eller væske kommer ind i produktet – de kan komme i berøring med steder med farlig spænding eller kortslutte dele, hvilket kan medføre brand eller elektrisk stød.
17. Se på bagbeklædningen angående mærkater, der er relevante for sikkerheden.
18. Brug korrekte strømkilder – tilslut produktet til en korrekt strømkilde som beskrevet i betjeningsvejledningen eller som markeret på produktet.
19. Apparatet må ikke udsættes for dryp eller vandstænk, og genstande fyldt med vand – f.eks. en vase – må ikke placeres på apparatet.

### Oplysninger om produkter, der genererer elektrisk støj

BEMÆRK: Dette udstyr er testet og fundet i overensstemmelse med grænserne for en digital Klasse A-enhed i henhold til afsnit 15 i FCC-reglerne. Hensigten med disse grænser er at sikre tilstrækkelig beskyttelse mod skadelig interferens, når udstyret anvendes i et kommercielt miljø. Dette udstyr genererer, bruger og kan udstråle radiofrekvensenergi, og kan – hvis det ikke installeres og bruges i overensstemmelse med brugervejledningen – forårsage skadelig interferens i forbindelse med radiokommunikation. Brug af dette udstyr i en privat installation kan forårsage skadelig interferens, og i så fald må brugeren få udbedret interferensen for egen regning.

Ændringer eller modifikationer, der ikke udtrykkeligt er godkendt af Bose Corporation, kan ophæve brugerens ret til at betjene dette udstyr.

Dette produkt overholder den canadiske ICES-003 Klasse A-specifikation.

Initialt startstrømstød, når enheden tændes: 32 ampere

Inrush-strøm efter strømafbrydelse på 5 sekunder: 32 ampere

Dette produkt overholder alle EN55103-2 immunitetskrav for et E2 elektromagnetisk miljø.

**INDLEDNING****5**

Velkommen .....	5
Funktioner og fordele .....	5
Produktoversigt .....	6
Tilslutninger og betjeningsfunktioner .....	7

**OPSÆTNING AF SYSTEMET****8**

Liste over dele .....	8
Placering af dit system .....	9
Opsætning af forstærkerfoden .....	10
Samling af L1® model 1S-systemet .....	10
Tilslutning af vekselstrøm .....	11
Tilslutning af B1- eller B2-basmodul .....	12
Tilføjelse af en T1 ToneMatch®-lydmotor (ekstraudstyr) .....	13
Tilføjelse af et ekstra B1-basmodul (ekstraudstyr) .....	14

**BETJENINGSOPLYSNINGER****15**

Indstilling af analogt indgangsniveau .....	15
Brug af en T1 ToneMatch®-lydmotor og en analog indgangskilde .....	15
Brugerscenarier .....	15
Enkelt musiker .....	15
Flere musikere .....	16
Helt band .....	17
Dj-begivenheder .....	18

**PLEJE OG VEDLIGEHOLDELSE****19**

Vedligeholdelse af produktet .....	19
Rengøring .....	19
Service .....	19
Fejlfinding .....	19
Begrænset garanti og registrering .....	21
Tilbehør .....	21
Tekniske oplysninger .....	21
Mekanisk .....	21
Elektrisk .....	21
Lydindgange/-udgange .....	21



# INDLEDNING

---

## Velkommen

Tak fordi du har købt et Bose® L1® model 1S-system med ToneMatch®-port. Dette system er baseret på en revolutionerende ny teknologi, der gør det muligt at udnytte fordelene ved den intime akustiske koncert til forstærker understøttede optrædener.

Denne brugervejledning giver detaljerede installations- og betjeningsvejledninger for dit L1-system og forklarer, hvordan du tilslutter udstyret til det.

På [www.Bose.com/livesound](http://www.Bose.com/livesound) på internettet kan du finde yderligere oplysninger om brugen af systemet, herunder tip, teknikker og ofte stillede spørgsmål.

## Funktioner og fordele

- **Du styrer lyden** – På samme måde som når du ikke bruger forstærker, er det dig, der styrer lyden. Du behøver ikke længere bekymre dig om, hvordan du lyder over for de øvrige musikere eller over for publikum, fordi du hører, hvad de hører.
- **Hurtig og let installation** – L1-systemet er let at bære og kan installeres i løbet af blot nogle minutter, ikke timer. Hermed er du fri for det tidskrævende og ofte frustrerende arbejde med at installere et konventionelt lydudstyr korrekt.
- **Væsentlig præstationsforbedring** – I forhold til traditionelt udstyr forbedres præstationen og fornøjelsen væsentligt, da du ikke længere skal anstrenge dig for at høre dig selv og de andre musikere.
- **Skaber spænding og følelser** – Forbedret musikerpræstation skaber den form for spænding og sindsbevægelse, som musikere værdsætter.
- **Du hører, hvad publikum hører** – For første gang hører musikere, hvad deres publikum hører, og er derfor mindre tilbøjelige til at spille for højt.
- **Musikken er naturligt dynamisk** – Alt fra de blødeste til de mest intense passager kan høres og nydes.
- **Du tager dig bedre ud** – Der er mindre udstyr på scenen og mere plads.
- **Lydgengivelse som aldrig før** – Personer blandt publikum fortæller, at den klarhed og spænding, der opstår ved at høre den nøjagtige gengivelse af lyd fra hvert enkelt instrument og ved at høre lyden af hvert enkelt instrument i dets position på scenen (i modsætning til mono- eller selv stereomix af alle instrumenter), ikke ligner noget, de har hørt ved en forstærker understøttet optræden.

## Produktoversigt

L1® model 1S-system – med ToneMatch®-port består af: forstærkerfod, bundsektion, topsektion og et B1- eller B2-basmodul. Systemet leveres med en polstret taske til hver enkelt del.

For at udvide systemet og forbedre præstationen kan du tilføje:

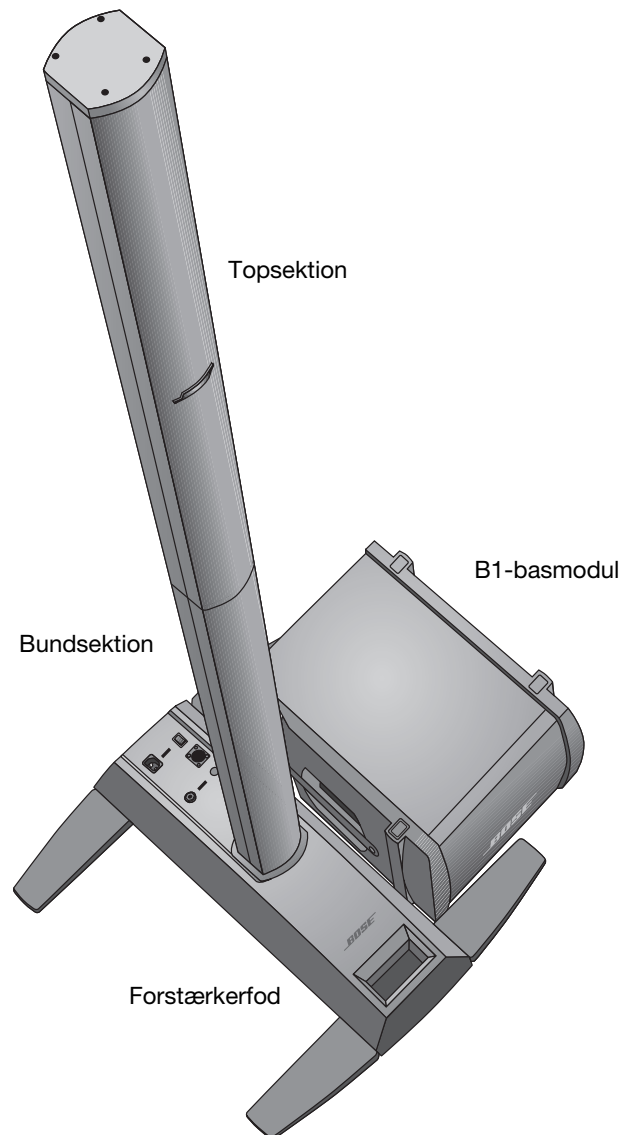
- Et ekstra B1-basmodul til en basguitar, en stortromme eller et orgel. Hver forstærkerfod kan drive op til to B1-basmoduler.
- En T1 ToneMatch-lydmotor til digital signalbehandling, yderligere indgange og interfacekontrol.

Du finder en komplet liste over ekstraudstyr og tilbehør på [www.Bose.com/livesound](http://www.Bose.com/livesound).

### Figur 1

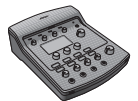
L1 model 1S-system og ekstraudstyr

#### L1 model 1S-system med ToneMatch-port og B1-basmodul



#### Ekstraudstyr

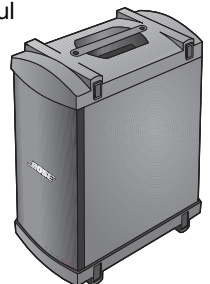
T1 ToneMatch-lydmotor



Ekstra B1-basmodul



B2-basmodul

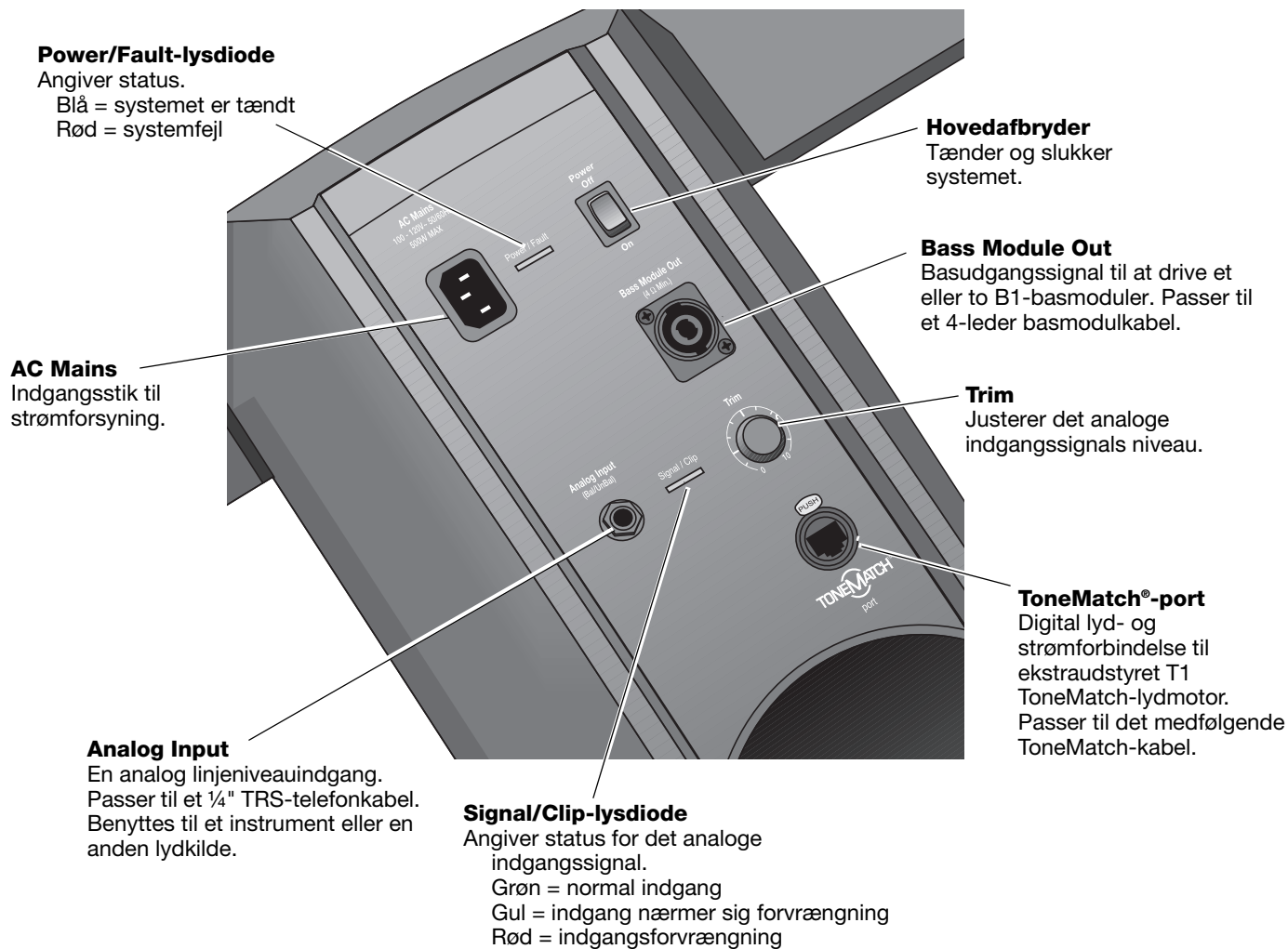


## Tilslutninger og betjeningsfunktioner

Toppanelet på effektforstærkeren er udstyret med systemtilslutninger og betjeningsknapper (Figur 2).

**Figur 2**

Toppanel på  
effektforstærker

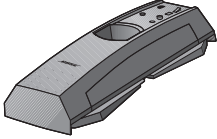
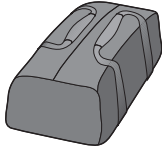




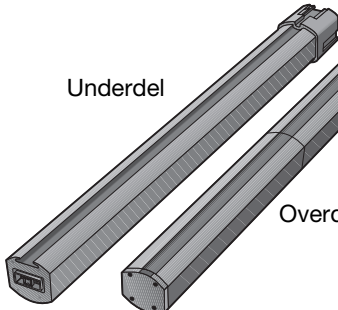
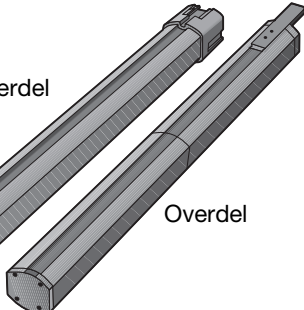
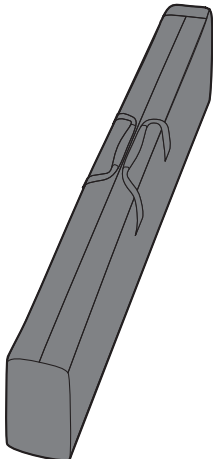


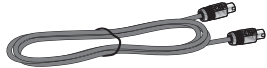




# OPSÆTNING AF SYSTEMET

## Overview over delene

L1®-systemet leveres i tre kasser. Pak forsigtigt kasserne ud, og kontroller, at du har alle de dele, der er angivet på denne side.

**ADVARSEL:** Opbevar plastikposerne utilgængeligt for børn for at undgå risikoen for kvælning.

Kasse med forstærkerfod	Kasse med sektion og udvidelse	Kasse med B1- eller B2-basmodul
<p>L1-forstærkerfod</p>  <p>Transporttaske</p>  <p>Netledning</p>  <p>Hurtig installationsvejledning</p>  <p>Brugervejledning</p>  <p>Produktregistreringskort</p> 	<p>L1 model 1S-topsektion og bundsektion</p> <p>Underdel</p>  <p>Overdel</p>  <p>Transporttaske</p> 	<p>B1- eller B2-basmodul</p>  <p>Låg</p>  <p>Basmodulkabel (4-leder)</p>  <p>Selvklebende gummifødder (kun til B2)</p>  <p>Brugervejledning til B1- eller B2-basmodul</p> 

## Placering af dit system

Korrekt placering af forstærkerfoden er et vigtigt trin i opstillingen af dette produkt.

Den bedste placering for din optræden afhænger af flere ting.

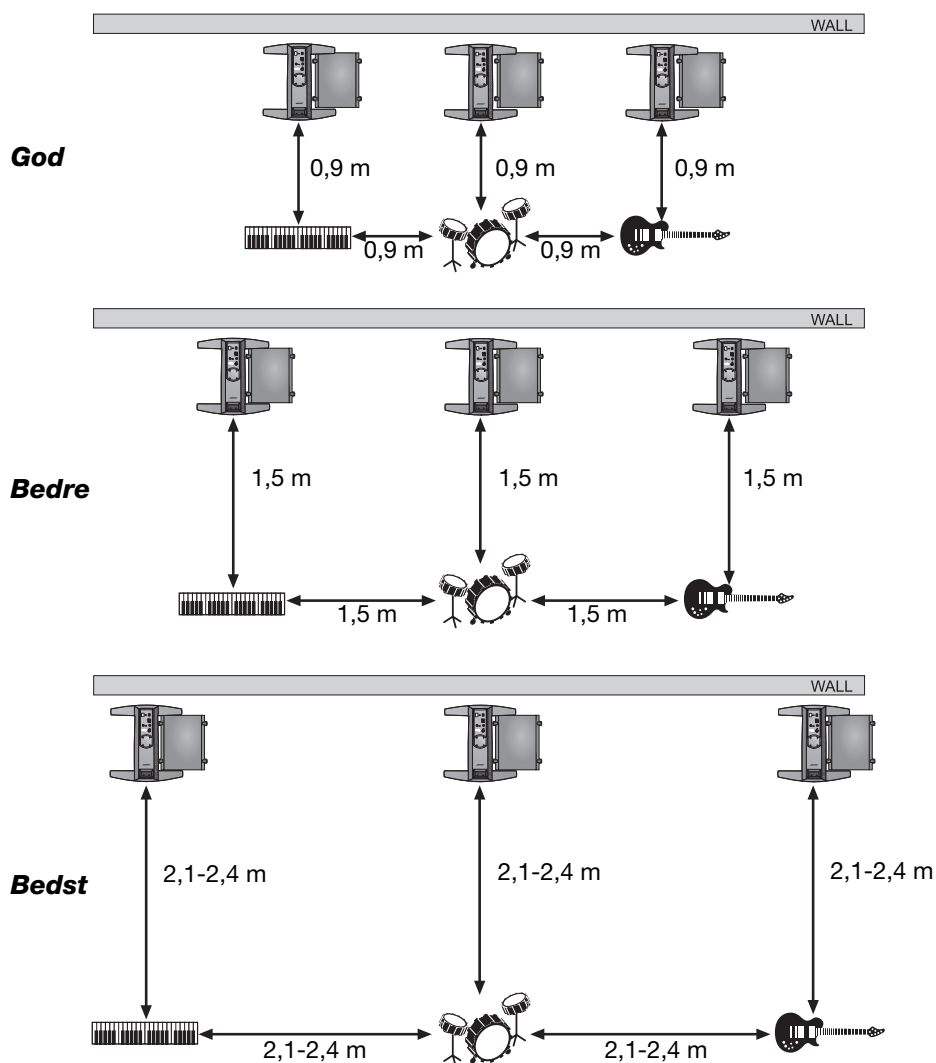
- Scenens størrelse
- Antal optrædende
- Delt system (tilføjelse af en T1 ToneMatch®-lydmotor og flere instrumenter)

De følgende retningslinjer hjælper dig i gang med opstillingen til en koncert eller et show.

- Opstil dit system på den bageste del af det område, hvor du skal optræde.
- Placer om muligt systemet bag den/de optrædende.
- Undgå at stå for tæt på hinanden på scenen, hvis du er en del af en gruppe. Lav afstand, helst 2,1-2,4 m mellem dig selv og L1®-systemet og en anden optrædende. Hermed kan lyden folde sig rundt om de optrædende og blive kastet tilbage fra omgivende overflader i rummet, hvorved der skabes et mere behageligt rumudfyldende lydbillede.

**Figur 1**

Anbefalinger for placering

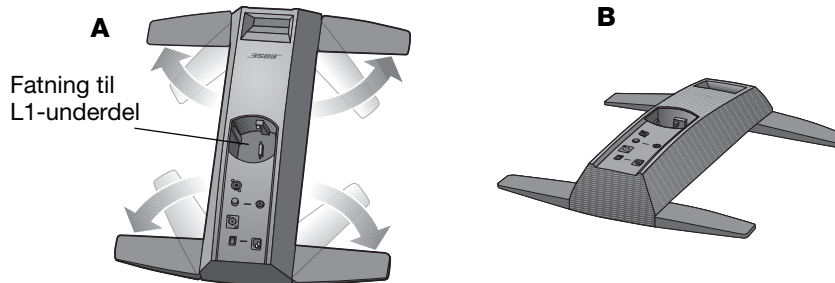


## Opsætning af forstærkerfoden

1. Hold forstærkerfoden lodret på gulvet (Figur 2A), tag fat i et ben og sving det så langt ud, som det kan komme. Bemærk, at de andre ben svinger automatisk ud. **Benene skal være helt åbne, før du kan sætte udvidelsen i forstærkerfoden.**
2. Læg forstærkerfoden fladt ned på gulvet i den ønskede position (Figur 2B).

**Figur 2**

Placering af forstærkerfoden på gulvet.



**ADVARSEL:** UNDLAD at flytte hele det samlede system som en enhed. Dette kan forårsage personskade og/eller beskadigelse af produktet. Placer forstærkerfoden på det ønskede sted på gulvet, før du samler systemet.

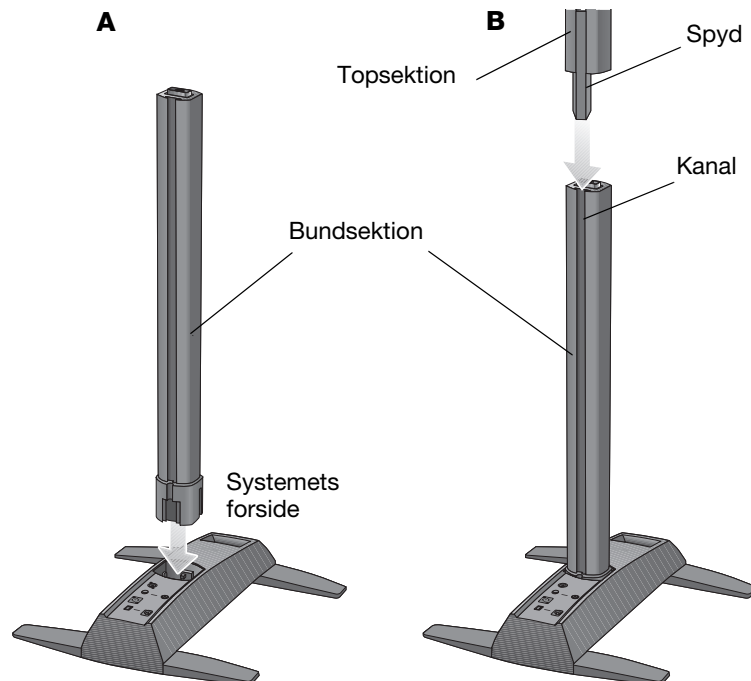
## Samling af L1® model 1S-systemet

Denne procedure forklarer, hvordan du skal placere højttalersektionerne i forstærkerfoden. Hvis du planlægger at montere T1 ToneMatch®-lydmotoren på L1 model 1S-systemet, skal du se "Tilføjelse af en T1 ToneMatch®-lydmotor (ekstraudstyr)" på side 13, før du monterer den øverste sektion af højttaleren.

1. Hold bundsektionen, således at kabinettet vender fremad, og sæt den så ned i forstærkerfoden (Figur 3A). Sørg for at sætte den helt ned i fatningen for at sikre stabilitet og en god forbindelse.
2. Ret spyddet på topsektionen ind efter kanalen på bagsiden af underdelen, og sænk overdelen ned i underdelen, indtil de går helt sammen (Figur 3B).

**Figur 3**

Opsætning af systemet

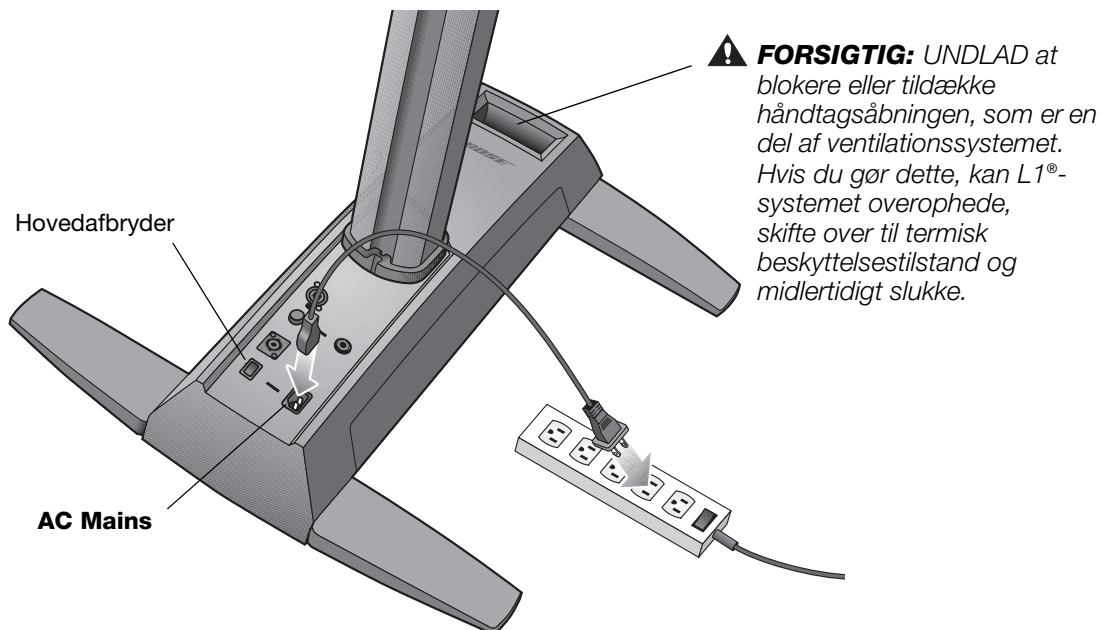


## Tilslutning af vekselstrøm

1. Sørg for, at strømkontakten er slukket (OFF).
2. Sæt den ene ende af netledningen ind i **AC Mains**-stikket på forstærkerfoden.
3. Sæt netledningens anden ende ind i en fungerende stikkontakt. (Figur 4).

**Figur 4**

Strømtilslutning



**⚠ FORSIGTIG:** Bose anbefaler, at man bruger en overspændingsafleder af god kvalitet til alt elektronisk udstyr. Spændingsvariationer og -spidser kan beskadige elektroniske komponenter i alle systemer. En afleder af god kvalitet kan forhindre de fleste tilfælde af svigt forårsaget af overspænding og kan købes i elektronikforretninger.

## Tilslutning af B1- eller B2-basmodulet

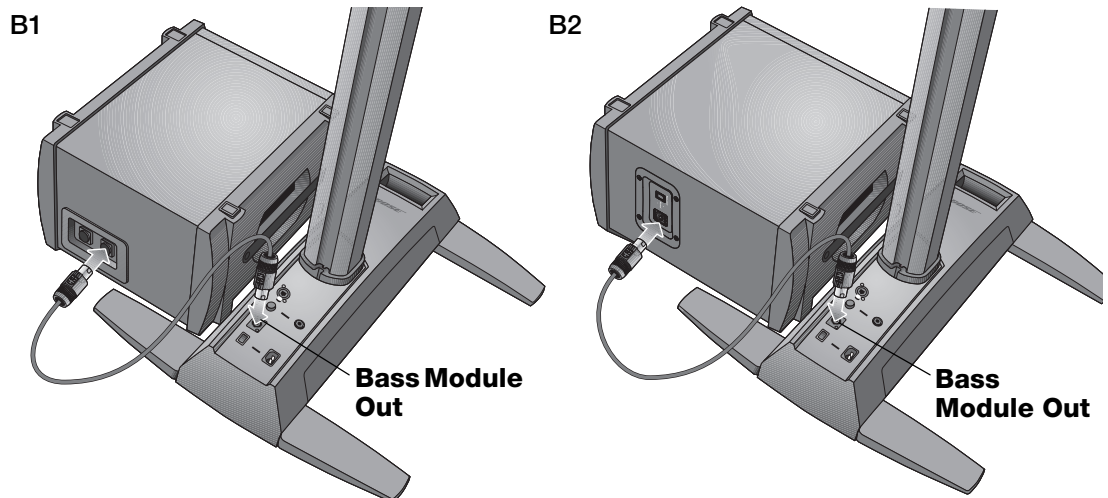
Du kan placere B1- eller B2-basmodulet enten lodret eller vandret på gulvet. Det passer fint mellem benene på effektforstærkeren.

1. Tilslut den ene ende af B1- eller B2-basmodulkablet i det ene af basstikkene. Drej stikket med uret for at fastlåse det. Du hører et svagt klik, når det fastlåses.
2. Sæt den anden ende af kablet ind i **Bass Module Out**-stikket på forstærkerfoden. Drej stikket med uret for at fastlåse det.

🎵 **Bemærk:** Et B1- eller B2-kabel tages ud ved at skubbe metalpalen på stikkets krop tilbage, dreje stikket mod uret og trække det ud af enheden.

**Figur 5**

B1- og B2-basmoduler



### ⚠️ FORSIGTIG:

- Tilslut IKKE noget andet basmodul end B1 eller B2 til forstærkerfoden.
- Erstat IKKE det medfølgende kabel med et 2-leder-højttalerkabel. Brug kun det medfølgende 4-leder B1-basmodulkabel til at tilslutte B1-basmodulet til forstærkerfoden. Forstærkerfoden bruger signalerne på to af lederne til automatisk at registrere, hvor mange B2-basmoduler der er tilsluttet.
- Tilslut IKKE et B1- eller B2-basmodul til to forstærkerfødder på samme tid.



## Tilføjelse af en T1 ToneMatch®-lydmotor (ekstraudstyr)

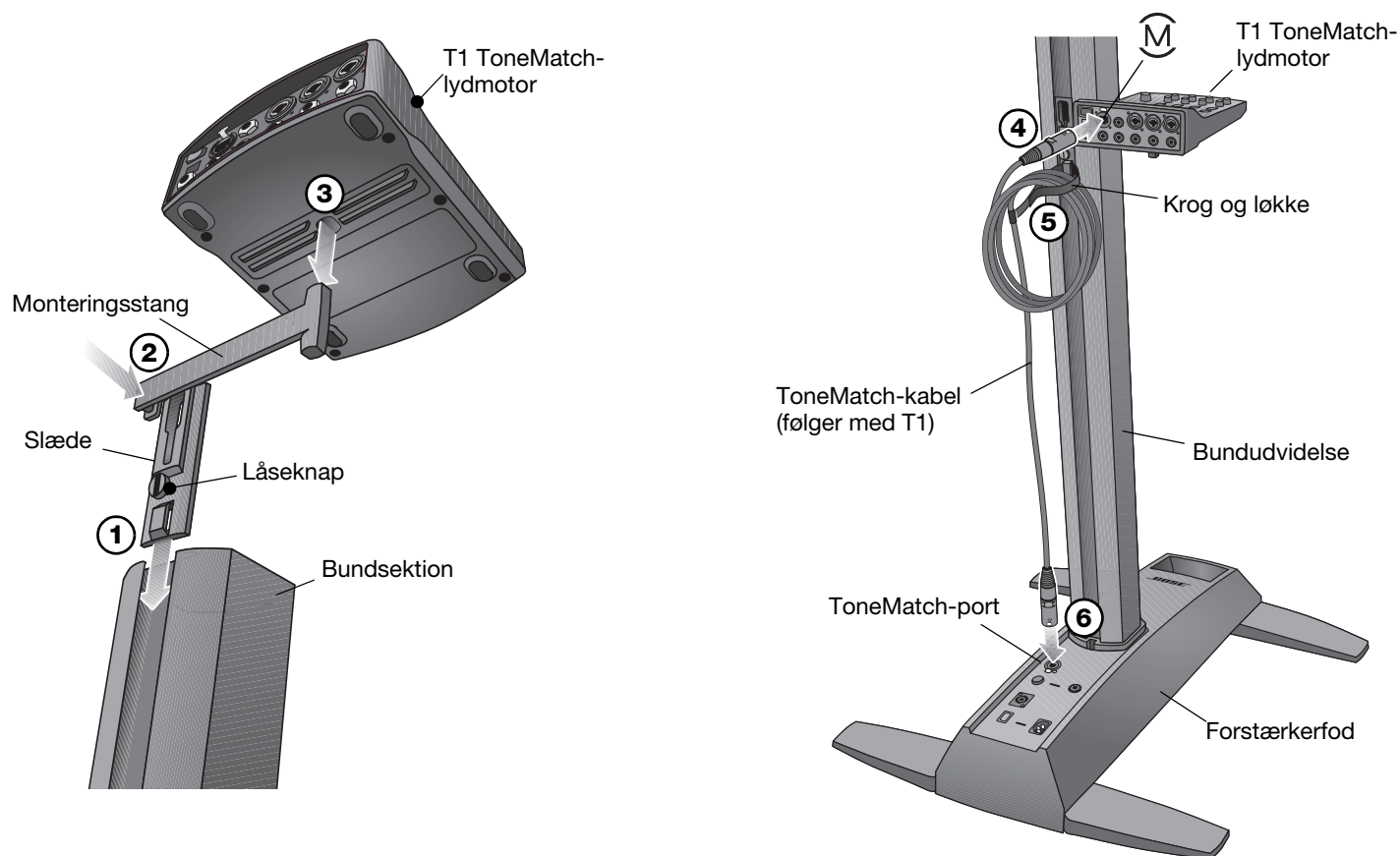
T1 ToneMatch®-lydmotoren giver dit system yderligere indgangs-/udgangsfunktioner plus digital signalbehandling, således at du kan justere, hvordan du lyder. Lydmotoren leveres med beslag til montering på venstre eller højre side af bundsektionen.

🎵 **Bemærk:** Lydmotoren monteres på underdelen af højttaleren, og du skal fjerne overdelen, før du starter denne procedure.

1. Skub slæden ind i kanalen på bagsiden af bundsektionen, og drej knappen med uret for at fastlåse den (Figur 6).
2. Sæt monteringsstangen ind i rillen i slæden, og skub den nedad.
3. Placer T1 på monteringsstangen som vist.
4. Sæt den ene ende af ToneMatch-kablet (leveres med lydmotoren) ind i ToneMatch-udgangsporten (M) på T1.
5. Brug krogen og løkken, og fastgør kablet til slæden.
6. Sæt den anden ende af kablet ind i ToneMatch-porten på forstærkerfoden.

**Figur 6**

Montering af T1



## Tilføjelse af et ekstra B1-basmodul (ekstraudstyr)

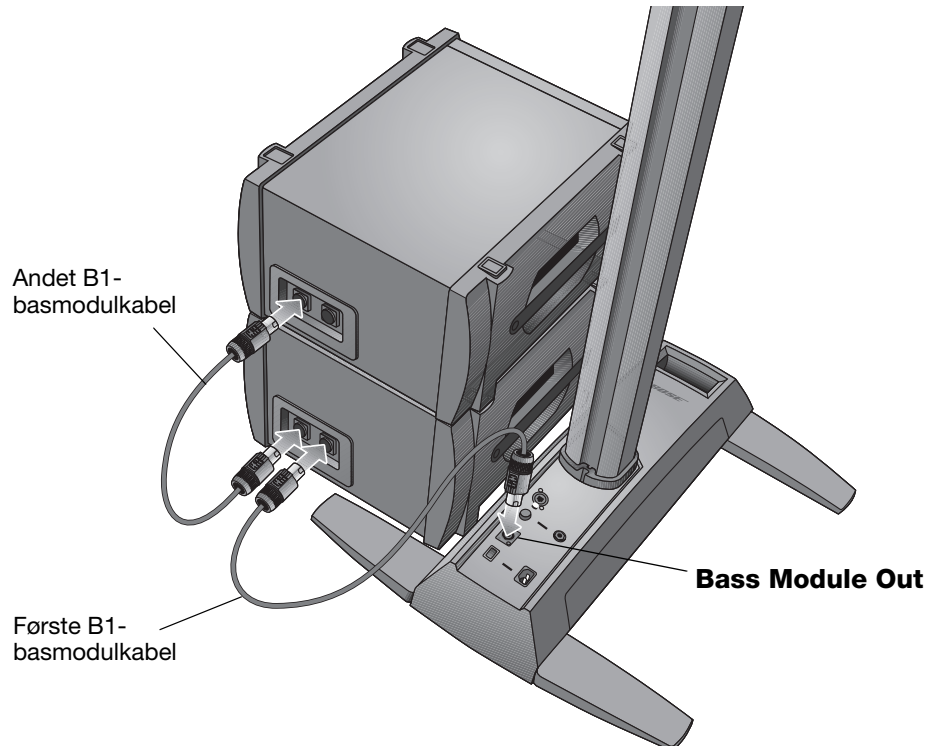
Forstærkerfodens basmoduludgang kan udmærket drive et eller to B1-basmoduler. Når de placeres vandret, kan modulerne stables (Figur 7).

**⚠ FORSIGTIG:** Undlad at slutte mere end to B1-basmoduler til **Bass Module Out**-stikket på forstærkerfoden. Hvis der drives mere end to B1-basmoduler fra denne udgang, bliver forstærkeren i forstærkerfoden belastet forkert, hvorved systemets ydeevne ikke bliver optimal.

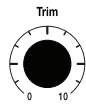
1. Tilslut det første B1 til **Bass Module Out**-stikket på forstærkerfoden.
2. Sæt den ene ende af det andet B1-kabel ind i det ledige stik på det første B1. Sæt den anden ende af kablet i et af stikkene på det andet B1.

**Figur 7**

Installation af to  
B1-basmoduler



## Indstilling af analogt indgangsniveau



Ved tilslutning af en lydkilde til **Analog Input** skal du følge disse trin for at justere indgangens **Trim**-regulering.

1. Sæt **Trim**-knappen på effektforstærkeren på positionen 0 (nul).
2. Tilslut lydkilden til **Analog Input**.
3. Juster lydstyrken på lydkilden til det ønskede niveau.
4. Afspil kilden, og forøg **Trim**-niveauet, indtil **Signal/Clip**-indikatoren lyser grønt eller gult.
5. Hvis **Signal/Clip**-indikatoren lyser rødt, så sænk **Trim**-niveauet, indtil den kun lyser grønt eller gult.

## Brug af en T1 ToneMatch®-lydmotor og en analog indgangskilde

L1® model 1S-systemet kan fungere med både en T1 ToneMatch®-lydmotor og en analog lydkilde tilsluttet forstærkerfoden. Du skal imidlertid huske, at lydmotoren og den analoge lydkildes lydstyrke justeres uafhængigt af hinanden.

- Forstærkerfodens **Trim**-kontrol påvirker kun lydstyrken for den analoge lydkilde, som er tilsluttet **Analog Input**. Derfor angiver **Signal/Clip**-indikatoren kun status for det analoge indgangssignal.
- T1 ToneMatch-lydmotoren har en **Trim**-regulering og en signal/clip-indikator for hver indgang, en **Volume**-regulering for hver udgangskanal og en **Master**-lydregulering, der justerer niveauet for det ToneMatch-output, der sendes til forstærkerfoden. Disse reguleringer har ingen indvirkning på det signal, der sendes til **Analog Input**.

## Brugerscenarier

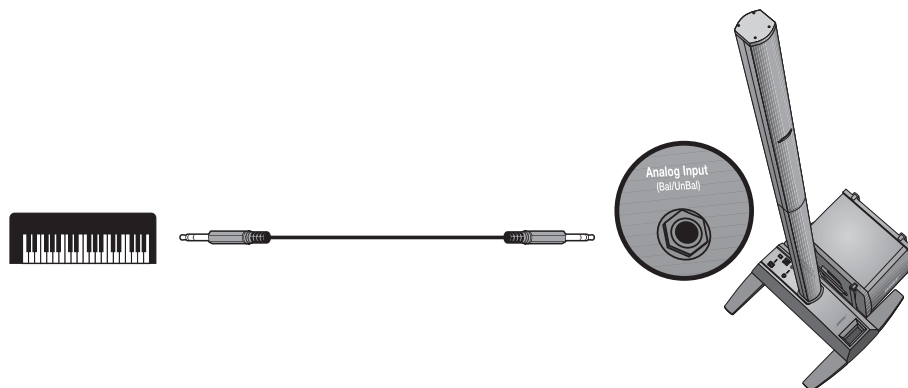
Der er mange måder at opsætte og benytte dette system på med og uden T1 ToneMatch-lydmotoren. De følgende sider viser eksempler på nogle typiske brugerscenarier. Når T1 ToneMatch-lydmotoren benyttes, henvises til brugervejledningen for yderligere oplysninger vedrørende opsætning og betjening.

### Enkelt musiker

En solomusiker kan spille et enkelt instrument via L1 model 1S-systemet (Figur 1). En solomusiker kan også spille et instrument og bruge en mikrofon til sang (Figur 2 på side 16).

**Figur 1**

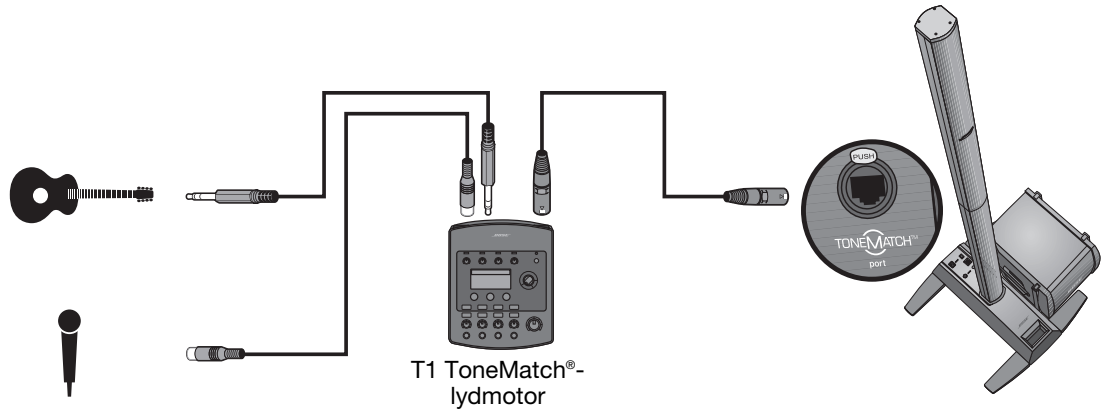
Enkelt system med keyboard



BETJENINGSOPLYSNINGER

**Figur 2**

Enkelt system med guitar og mikrofon

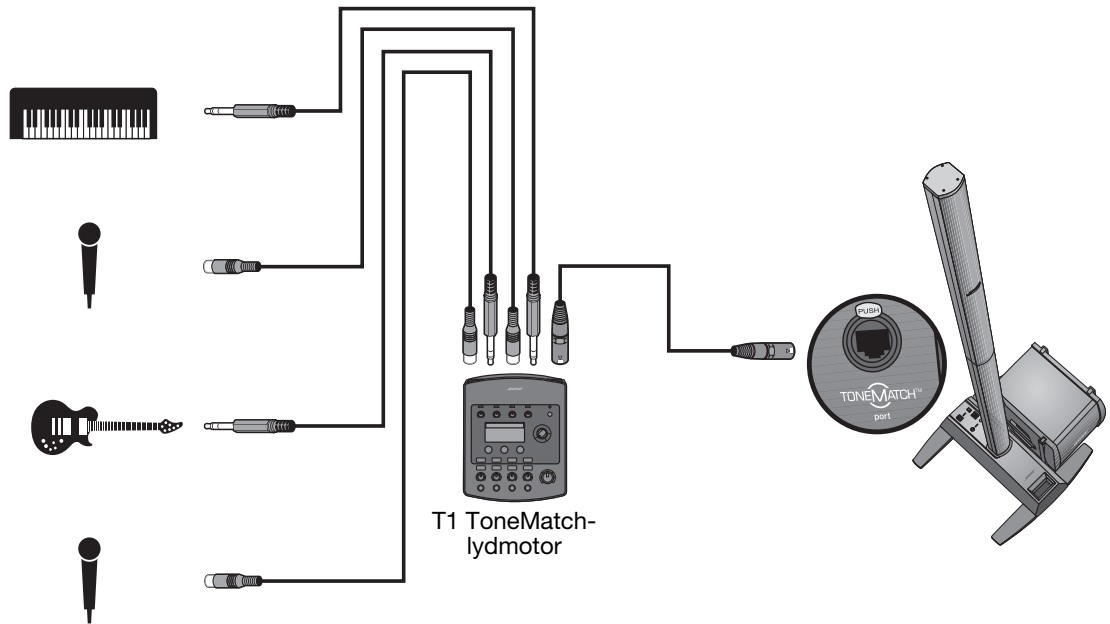


**Flere musikere**

I dette scenarie synger og spiller en keyboard/guitar-duo via en enkelt T1 ToneMatch-lydmotor og et L1®-system.

**Figur 3**

Enkelt system med flere instrumenter og T1 ToneMatch-lydmotor

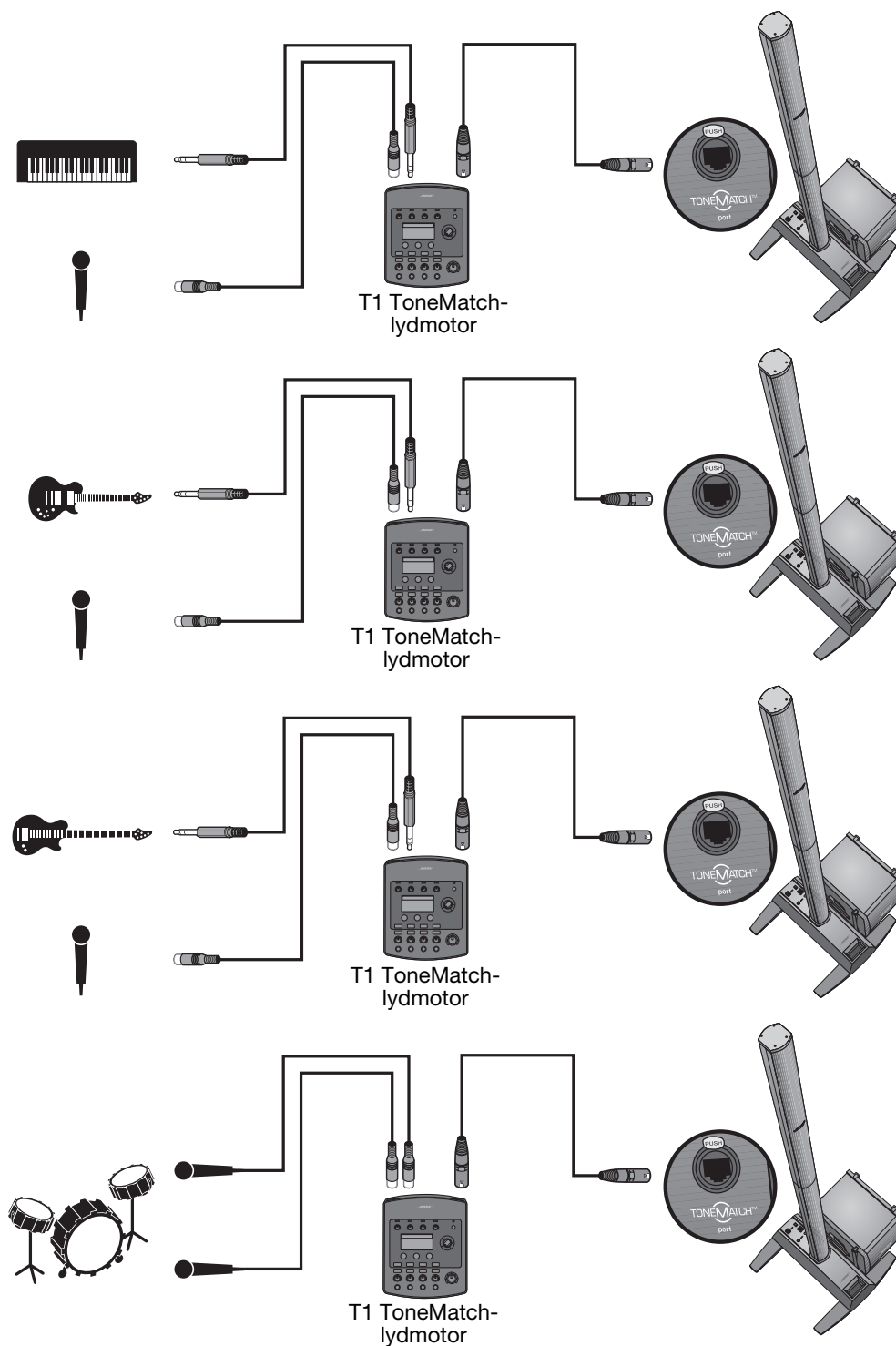


## Helt band

Et helt band-scenarie er opbygget omkring flere T1 ToneMatch®-lydmotorer og L1®-systemer. Hver musiker spiller og synger via én T1 ToneMatch-lydmotor og ét L1-system.

**Figur 4**

Flere -systemer, hver med en T1 ToneMatch-lydmotor

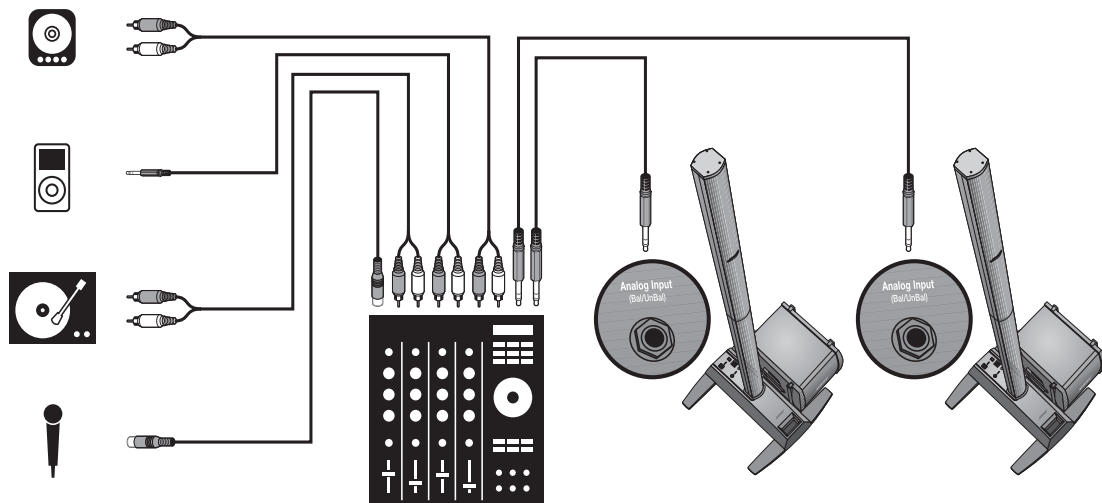


## Dj-arrangementer

Dj's bruger mange typer indgangskilder (cd-afspiller, grammofon, mp3-afspiller osv.) tilsluttet en mixer. I dette scenarie kan to mixerudgange fødes ind i to L1®-systemer mhp. stereolyd.

**Figur 5**

To systemer, en mixer og inputenheder



## Vedligeholdelse af produktet

### Rengøring

- Produktets kabinetter må kun rengøres med en blød, tør klud.
- Brug ikke opløsningsmidler, kemikalier eller rengøringsmidler, der indeholder sprit, ammoniak eller slibemiddel.
- Brug ikke nogen form for spray i nærheden af systemet, og undgå at spilde væske i åbningerne.
- Du kan om nødvendigt forsigtigt støvsuge gitteret på L1®-højtaleren.

### Service

For at få yderligere hjælp med at løse problemer kan du kontakte Bose® Live Music Customer Service Product and Technical Support Team på tlf. (877) 335-2673 eller besøge vores supportsider på internettet på [www.Bose.com/livesound](http://www.Bose.com/livesound).

## Fejlfinding

Prøv følgende løsningsmuligheder, hvis du får problemer med produktet. Hvis du stadig ikke kan løse problemet, kan du ringe til Bose Live Music Product and Technical Support Team direkte på tlf. (877) 335-2673 for at aftale service.

### Anbefalede fejlfindingsværktøjer

- Bærbart voltmeter
- XLR- og ¼"-telefonstikkabler
- Kabeltester
- 4-leder-kabel til B1-basmodul
- Spændingsmåler
- Ekstra netledning

<b>Problem</b>	<b>Gør følgende</b>
Systemet er tilsluttet, afbryderknappen står på tændt, men strømindikatoren lyser ikke	<ul style="list-style-type: none"> <li>• Kontroller, at der er strøm i vægstikket. Prøv at tilslutte en lampe eller andet udstyr i samme stikkontakt, eller test stikket med en spændingsmåler.</li> <li>• Sørg for, at netledningen til forstærkerfoden er sat ordentligt i vægstikket.</li> </ul>
Strømindikatoren er tændt (lyser grønt), men der er ingen lyd	<ul style="list-style-type: none"> <li>• Sørg for, at der er skruet op for lyden til dit instrument.</li> <li>• Sørg for, at der er skruet op for <b>Trim</b>-niveaureguleringen på forstærkerfoden.</li> <li>• Sørg for, at instrumentet er tilsluttet <b>Analog Input</b>-jackstikket.</li> <li>• Tilslut dit instrument til forstærkerfoden med et andet kabel.</li> <li>• Tilslut instrumentet til en anden forstærker for at sikre dig, at det fungerer.</li> </ul>
Strømindikatoren lyser rødt, når forstærkerfoden er tændt	<ul style="list-style-type: none"> <li>• Kontakt Bose Live Music Customer Service på tlf. (877) 335-2673 for hjælp.</li> </ul>
Husets strømafbryder udløses konstant	<ul style="list-style-type: none"> <li>• Hvis mere end én forstærkerfod er tilsluttet den samme strømkreds, skal du forsøge at tænde forstærkerne med en tidsforskydning. Hver forstærkerfod har en inrush-strøm på ca. 32 ampere, når den tændes.</li> <li>• Hvis du har mere end tre forstærkerfødder tilsluttet en enkelt 15 amperes kreds, så forsøg at flytte nogle systemer til en anden kreds. Hver forstærkerfod kan trække 5 ampere eller mere, når den spiller ved høj lydstyrke i længere perioder.</li> </ul>

## PLEJE OG VEDLIGEHOLDELSE

<b>Problem</b>	<b>Gør følgende</b>
Når der ikke er tilsluttet noget til forstærkerfoden, høres en svag <i>brummen</i> eller <i>snurren</i>	<ul style="list-style-type: none"> <li>• Brug en spændingsmåler til at kontrollere den stikkontakt, som forstærkerfoden er tilsluttet, for omvendte eller åbne kontakter (spændingsførende, neutral og/eller jord).</li> <li>• Hvis du bruger en forlængerledning, skal du sørge for, at den også testes som ovenfor.</li> </ul>
B1- eller B2-basmodul er tilsluttet, men der er ingen baslyd	<ul style="list-style-type: none"> <li>• Sørg for, at du bruger det medfølgende 4-leder B1/B2-basmodulkabel.</li> <li>• Sørg for, at B1- eller B2-basmodulkablet er tilsluttet <b>Bass Module Out</b>-stikket, og kablets stik er sat forsvarligt ind i stikket.</li> <li>• Prøv med et andet 4-leder-kabel.</li> <li>• Prøv om muligt med et andet B1/B2-basmodul.</li> </ul>
B1-basmodulet lyder, som det er ude af balance med det øvrige system	<ul style="list-style-type: none"> <li>• Sørg for, at du bruger det 4-leder B1/B2-basmodulkabel, der fulgte med B1-basmodulpakken.</li> <li>• Sørg for, at gitteret på B1- eller B2-basmodulet vender fremad mod musikere og publikum.</li> </ul>
Der høres ingen mellemhøje/høje lyde fra L1®-topsektionen	<ul style="list-style-type: none"> <li>• Sørg for, at L1-topsektionen og -bundsektionen sidder godt fast i tilslutningerne.</li> <li>• Sørg for at stikkene ikke er bøjedede eller knækkede.</li> <li>• Prøv at rengøre kontakterne på højttalerens overdel og underdel med rensespray til elektriske kontakter.</li> </ul>
Instrument eller lydkilde lyder forvrænget	<ul style="list-style-type: none"> <li>• Kontroller, at Signal/Clip-lysdioden ikke lyser rødt konstant. Gør den det, så sænk trimniveauet.</li> <li>• Prøv at tilslutte en anden lydkilde eller et andet instrument.</li> <li>• Prøv din kilde eller dit instrument på en anden forstærkerfod.</li> </ul>
Der opstår feedback i mikrofonen	<ul style="list-style-type: none"> <li>• Ret mikrofonen, så den ikke peger direkte mod sit respektive L1-system.</li> <li>• Prøv en anden mikrofon.</li> <li>• Prøv en anden placering af højttaleren og/eller vokalisten på scenen.</li> <li>• Øg afstanden mellem højttaleren og mikrofonen.</li> <li>• Hvis du anvender en vokaleffektprocessor, skal du sikre dig, at denne ikke bidrager til feedback-problemet.</li> </ul>



## Begrænset garanti og registrering

Dit produkt er omfattet af en begrænset garanti. Oplysninger om garantien leveres sammen med produktet. Registrer dine produkter online på [www.Bose.com/register](http://www.Bose.com/register), eller ring på tlf. (800) 905-1044. Hvis du ikke gør det, har det ingen betydning for din garanti.

## Tilbehør

Besøg [www.Bose.com/livesound](http://www.Bose.com/livesound), eller ring til (800) 905-0886 for at få oplysninger om tilbehør.

## Tekniske oplysninger

### Mekanisk

Komponent	Mål	Vægt
Forstærkerfod:	12,8 cm (H) x 26,2 cm (B) x 69,2 cm (D)	10,7 kg
Topsektion:	111,0 cm (H) x 9,0 cm (B) x 10,5 cm (D)	7,4 kg
Bundsektion:	100,6 cm (H) x 10,6 cm (B) x 10,5 cm (D)	3,8 kg
B1-basmodul:	38,0 cm (H) x 26,0 cm (B) x 45,0 cm (D)	11,4 kg
B2-basmodul:	59,4 cm (H) x 33,8 cm (B) x 48 cm (D)	20,41 kg

### Elektrisk

- Nominel effekt:  
100-120 V ~ 50/60 Hz 500 W (USA/Canada); 220-240 V ~ 50/60 Hz 500 W (Europa)
- Maks. inrush-strøm:  
32 A @ 120 V ~ 60 Hz (USA/Canada); 61 A @ 230 V ~ 50 Hz (Europa)

Komponent	Impedans
L1® model 1S-højttaler:	4 Ω
B1-basmodul:	8 Ω
B2-basmodul:	4 Ω

### Lydindgange/-udgange



- T1 ToneMatch®-port: DC udgang/dataindgang Ethercon/RJ45-stik til T1 ToneMatch-lydmotor
- Analog Input: Linjeniveau indgangskanal til ¼" TRS-telefonstik
- Bass Module Out: Neutrik® NL4-udgang til et eller to B1-basmoduler

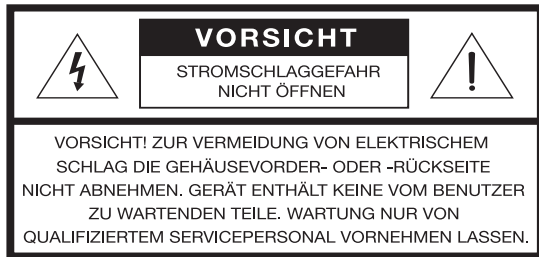
L1 og TONEMATCH er registrerede varemærker, der tilhører Bose Corporation i USA og andre lande. Alle andre varemærker tilhører deres respektive ejere.

# SICHERHEITSHINWEISE

## Lesen Sie diese Bedienungsanleitung aufmerksam durch.

Beachten Sie alle Hinweise sorgfältig. Die Anleitung unterstützt Sie beim Aufbau und ordnungsgemäßen Betrieb des Systems und seiner modernen Funktionen. Bewahren Sie diese Bedienungsanleitung zum späteren Nachschlagen auf.






-  **WARNUNG:** Um Brände und Stromschläge zu vermeiden, darf dieses System weder Regen noch Feuchtigkeit ausgesetzt werden.
-  **WARNUNG:** Um Stromschläge zu vermeiden, darf dieses Gerät nur von qualifiziertem Personal zerlegt werden. Wenden Sie sich bei allen Reparatur- und Wartungsarbeiten nur an qualifiziertes Kundendienstpersonal.




Das Blitzsymbol mit Pfeilspitze in einem gleichseitigen Dreieck weist den Benutzer auf nicht isolierte, gefährliche elektrische Spannung innerhalb des Systemgehäuses hin. Es besteht die Gefahr von Stromschlägen!



Das Ausrufezeichen in einem gleichseitigen Dreieck, wie es auf dem System angebracht ist, soll den Benutzer auf wichtige Bedienungs- und Wartungsanweisungen in dieser Bedienungsanleitung aufmerksam machen.

-  **ACHTUNG:** Dieses Produkt muss an eine Steckdose mit Erdungsschutz angeschlossen werden.
-  **ACHTUNG:** Nehmen Sie keine Veränderungen am System oder am Zubehör vor. Nicht autorisierte Veränderungen können die Sicherheit, die Erfüllung von Richtlinien und die Systemleistung beeinträchtigen.
-  **ACHTUNG:** Stellen Sie keine brennenden Kerzen oder ähnliches auf das Gerät oder in die Nähe des Geräts.
-  **ACHTUNG:** Falls Sie den Netzstecker oder eine Mehrfachsteckdose verwenden, um das Gerät von der Stromversorgung zu trennen, sollten Sie sicherstellen, dass Sie jederzeit auf den Stecker zugreifen können.
-  **Hinweis:** Das Produkt ist nicht zum Einsatz im Freien geeignet. Verwenden Sie es nur innerhalb von Gebäuden und nicht in Campingfahrzeugen, auf Booten oder in ähnlichen Umgebungen

 Dieses Produkt entspricht allen geltenden EU-Anforderungen. Die vollständige Konformitätserklärung finden Sie unter: [www.Bose.com/compliance](http://www.Bose.com/compliance).

### Bitte für Ihre Unterlagen ausfüllen.

Es wird empfohlen, dass Sie nun die Seriennummern des Systems hier und auf der Produktregistrierungskarte notieren. Sie können das Produkt online unter [www.Bose.com/register](http://www.Bose.com/register) oder telefonisch unter der Rufnummer 800-905-1044 (nur in den USA und Kanada) registrieren. Ihre Garantierechte sind jedoch unabhängig davon gültig.

L1® Modell 1S Power Stand: \_\_\_\_\_

Top-Array und untere Erweiterung: \_\_\_\_\_

B1- oder B2-Bassmodul: \_\_\_\_\_

## WICHTIGE SICHERHEITSHINWEISE

1. Lesen Sie die folgenden Anweisungen.
2. Bewahren Sie die Anweisungen auf.
3. Beachten Sie alle Warn- und Sicherheitshinweise.
4. Befolgen Sie alle Anweisungen.
5. Verwenden Sie dieses Gerät nicht in der Nähe von Wasser.
6. Reinigen Sie das Gerät nur mit einem sauberen, trockenen Tuch.
7. Achten Sie darauf, dass die Lüftungsöffnungen nicht blockiert sind. Stellen Sie das Gerät nur in Übereinstimmung mit den Herstelleranweisungen auf.
8. Stellen Sie das Gerät nicht in der Nähe von Wärmequellen auf, wie Heizkörper, Wärmespeicher, Öfen oder andere Geräten (auch Verstärker), die Wärme erzeugen.
9. Beeinträchtigen Sie in keiner Weise die Schutzfunktion des Schutzkontaktsteckers. Ein gepolter Stecker hat zwei Stromkontakte, von denen einer breiter als der andere ist. Ein Schutzkontaktstecker hat zwei Stromkontakte und einen dritten Erdungskontakt. Der dritte Kontakt dient der Sicherheit. Falls der mitgelieferte Stecker nicht in Ihre Steckdose passt, wenden Sie sich an einen qualifizierten Elektriker, um die Steckdose auszutauschen.
10. Verlegen Sie das Netzkabel so, dass es keine Stolpergefahr darstellt und nicht beschädigt werden kann – insbesondere im Bereich von Steckern und Steckdosen und dort, wo das Netzkabel aus dem Gerät herausgeführt wird.
11. Verwenden Sie nur Zubehör-/Anbauteile, die vom Hersteller zugelassen sind.
12. Verwenden Sie für das Gerät nur Rollwagen, Ständer, Dreibeine, Halterungen oder Tische, die vom Hersteller zugelassen sind oder zusammen mit dem Gerät verkauft werden. Falls Sie einen Rollwagen verwenden, dürfen Sie die Einheit Gerät/Rollwagen nur mit Vorsicht bewegen, damit Verletzungen beim möglichen Umkippen ausgeschlossen sind.
13. Ziehen Sie das Netzkabel bei Gewitter oder bei längerer Nichtbenutzung des Gerätes aus der Steckdose.
14. Wenden Sie sich bei allen Reparatur- und Wartungsarbeiten nur an qualifiziertes Kundendienstpersonal. Wartungsarbeiten sind in folgenden Fällen nötig: Bei jeglichen Beschädigungen wie z. B. des Netzkabels oder Netzsteckers, wenn Flüssigkeiten oder Gegenstände in das Gehäuse gelangt sind, das Gerät Regen oder Feuchtigkeit ausgesetzt wurde, fallen gelassen wurde oder nicht ordnungsgemäß funktioniert.



15. Vermeiden Sie Gefahren durch Brände oder elektrische Schläge, indem Sie Steckdosen, Verlängerungskabel und integrierte Gerätesteckdosen nicht überlasten.
16. Lassen Sie keine Flüssigkeiten oder Fremdkörper in das Gerät gelangen - sie können unter gefährliche elektrische Spannung gesetzt werden oder Bauteile kurzschließen und folglich Brände und elektrische Schläge auslösen.
17. Beachten Sie die Sicherheitshinweise auf dem Gehäuse.
18. Verwenden Sie eine korrekte Stromquelle – Schließen Sie das Produkt an eine ordnungsgemäße Stromquelle an, wie in der Bedienungsanleitung beschrieben bzw. wie am Produkt ausgewiesen.
19. Schützen Sie das Gerät vor tropfenden oder spritzenden Flüssigkeiten, und stellen Sie keine mit Flüssigkeiten gefüllten Gefäße (z. B. Vasen) auf das Gerät.

### Informationen über Produkte, die elektrische Störgeräusche erzeugen

HINWEIS: Dieses Gerät wurde geprüft. Es stimmt mit den Regelungen für Geräte der Klasse A gemäß Teil 15 der FCC-Vorschriften überein. Diese Grenzwerte sollen einen angemessenen Schutz gegen elektromagnetische Störungen beim Betrieb in gewerblicher Umgebung gewährleisten. Dieses Gerät erzeugt und verwendet Hochfrequenzstrahlung und kann sie auch aussenden. Daher verursacht das Gerät, wenn die Installation und Benutzung nicht in Übereinstimmung mit dieser Bedienungsanleitung erfolgt, möglicherweise Störungen des Funkverkehrs. Beim Betrieb dieses Geräts in Wohngebieten können erhebliche Störungen des Funkverkehrs verursacht werden. Eventuell daraus entstehende Kosten trägt allein der Benutzer des Geräts.

Veränderungen am Gerät, die nicht durch die Bose Corporation autorisiert wurden, können zur Folge haben, dass die Betriebserlaubnis für das Gerät erlischt.

Dieses digitale Gerät der Klasse A entspricht den Anforderungen der kanadischen Richtlinie CES-003.

Anfänglicher Einschaltstrom: 32 A

Einschaltstrom nach Stromausfall von 5 Sekunden: 32 A

Dieses Produkt erfüllt alle Immunitätsanforderungen gemäß EN55103-2 für elektromagnetische E2-Umgebungen.

<b>EINFÜHRUNG</b>	<b>5</b>
Willkommen .....	5
Funktionen und Vorteile .....	5
Produktübersicht .....	6
Anschlüsse und Steuerungen .....	7
<b>SYSTEM-EINRICHTUNG</b>	<b>8</b>
Teileliste .....	8
Aufstellen des Systems .....	9
Aufstellen des Power Stand .....	10
Zusammenbauen des L1® Modell 1S-Systems .....	10
Anschluss an das Stromnetz .....	11
Anschließen des B1- oder B2-Bassmoduls .....	12
Hinzufügen einer T1 ToneMatch®-Audio-Engine (optional) .....	13
Hinzufügen eines zweiten B1-Bassmoduls (optional) .....	14
<b>INFORMATIONEN ZUR BEDIENUNG</b>	<b>15</b>
Analogen Eingangspegel einstellen .....	15
Verwenden der T1 ToneMatch®-Audio-Engine und einer analoge Eingangsquelle .....	15
Aufstellungsbeispiele .....	15
Einzelner Musiker .....	15
Mehrere Musiker .....	16
Komplette Besetzung .....	17
DJ-Events .....	18
<b>PFLEGE UND WARTUNG</b>	<b>19</b>
Pflege des Produkts .....	19
Reinigung .....	19
Kundendienst .....	19
Fehlerbehebung .....	19
Eingeschränkte Garantie und Registrierung .....	21
Zubehör .....	21
Technische Daten .....	21
Mechanik .....	21
Elektronik .....	21
Audio-Ein-/Ausgang .....	21

# EINFÜHRUNG

---

## Willkommen

Vielen Dank, dass Sie das Bose® L1® Model 1S-System mit ToneMatch®-Anschluss gekauft haben. Dank einer neuartigen Technologie kommen mit diesem System auch bei Konzerten vor großem Publikum die Vorteile von Live-Musik im kleinen Rahmen zum Tragen.

In dieser Bedienungsanleitung wird der Aufbau und Betrieb des L1-Systems ausführlich beschrieben, darunter auch der Anschluss der Instrumente.

Weiterführende Informationen sowie Tipps & Tricks, Techniken und häufig gestellte Fragen finden Sie im Internet unter [www.Bose.com/livesound](http://www.Bose.com/livesound).

## Funktionen und Vorteile

- **Sie bestimmen den Klang** – Genau wie bei einem akustischen Konzert bestimmen Sie allein den Klang. Sie müssen sich nicht mehr fragen, wie Sie für die anderen Musiker und das Publikum klingen, denn Sie hören das Gleiche wie die anderen.
- **Einfache und schnelle Aufstellung** – Das L1-System ist leicht zu tragen und kann in nur wenigen Minuten aufgebaut werden. Dies befreit Sie von der zeitraubenden und oft frustrierenden Aufgabe, herkömmliche Tonanlagen aufzubauen.
- **Deutlich verbesserte Performance** – Verglichen mit herkömmlichen Tonanlagen sind Performance und Hörgenuss deutlich verbessert, da Sie nicht ständig überprüfen müssen, wie Sie und die anderen Musiker sich anhören.
- **Schafft Spannung und Emotionen** – Die verbesserte Performance der Musiker erzeugt die Spannung und Emotionen, die Ihr Publikum zu schätzen wissen wird.
- **Sie hören, was das Publikum hört** – Zum ersten Mal können Musiker genau das hören, was das Publikum hört, und somit immer im optimalen Lautstärke- und Klangbereich spielen.
- **Natürliche Klangdynamik** – Das gesamte Klangspektrum von leisen bis lauten Passagen wird voll wiedergeben.
- **Aufgeräumte Bühne** – Weniger Geräte und Kabel auf der Bühne, folglich mehr Platz für Sie und Ihre Show.
- **Zuvor unerreichte Klangwiedergabe** – Zuhörer berichten, dass die originalgetreue Reproduktion der einzelnen Musikinstrumente und die Tatsache, die Instrumente – im Gegensatz zu konventionellen Mono- oder sogar Stereo-Systemen – aus ihrer jeweiligen Richtung hören zu können, zu einer bisher ungehörten Klarheit in der Performance führt.

## Produktübersicht

Das L1® Modell 1S-System – mit ToneMatch®-Anschluss besteht aus: Power Stand, unterer Erweiterung, Top-Array und B1- oder B2-Bassmodul. Das System wird mit einer gepolsterten Tragetasche für jedes Teil geliefert.

Um Ihr System zu erweitern und die Performance noch weiter zu verbessern, können Sie Folgendes hinzufügen:

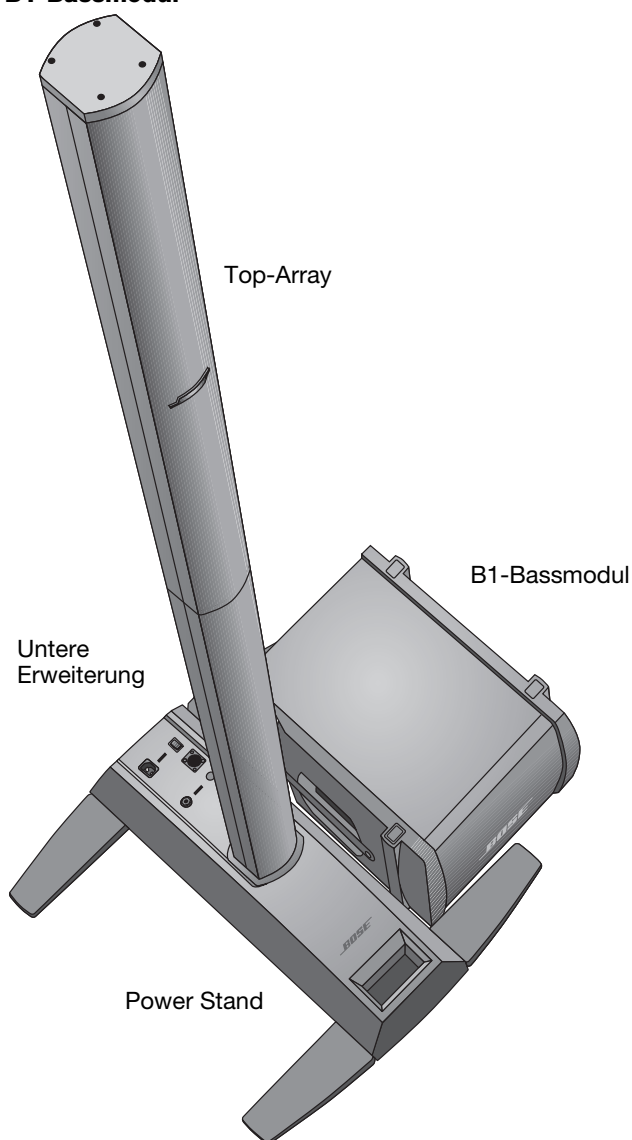
- Ein zweites B1-Bassmodul für Bassgitarre, Kick Drum oder Keyboard. Jeder Power Stand kann bis zu zwei B1-Bassmodule mit Strom versorgen.
- Eine T1 ToneMatch-Audio-Engine für die digitale Signalverarbeitung, zusätzliche Eingänge und UI-Steuerung.

Eine vollständige Liste mit weiterem Zubehör finden Sie im Internet unter: [www.Bose.com/livesound](http://www.Bose.com/livesound).

### Abbildung 1

L1 Modell 1S-System und optionales Zubehör

#### L1 Modell 1S-System mit ToneMatch-Anschluss und B1-Bassmodul

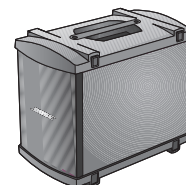


#### Optionales Zubehör

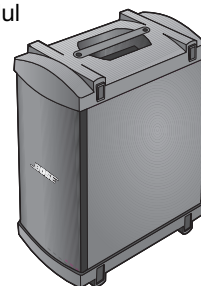
T1 ToneMatch-Audio-Engine



Zusätzliches B1-Bassmodul



B2-Bassmodul

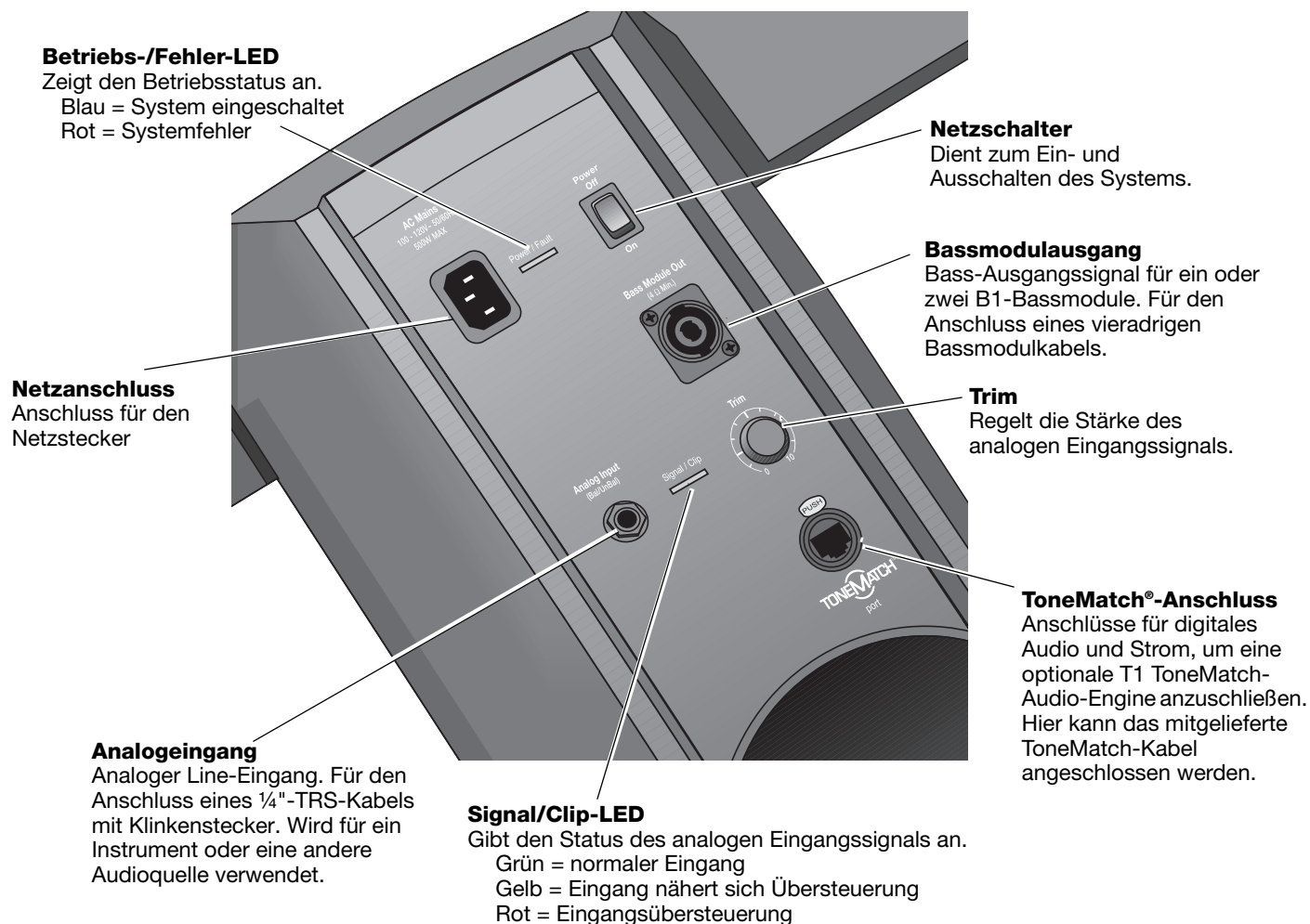


## Anschlüsse und Steuerungen

Auf der Oberseite des Power Stands befinden sich die Systemanschlüsse und Steuerungen (Abbildung 2).

### Abbildung 2

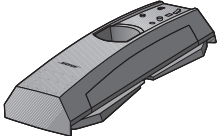
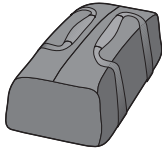


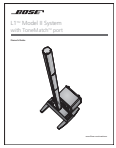

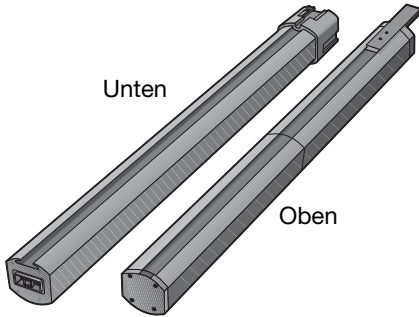
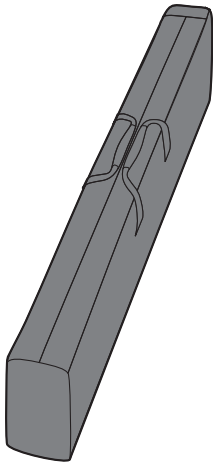


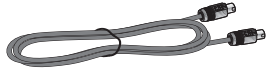


Oberseite des Power Stands



**Teileliste**

Das L1®-System wird in drei Kartons geliefert. Packen Sie die einzelnen Kartons vorsichtig aus und überprüfen Sie, ob Sie alle auf dieser Seite aufgeführten Teile erhalten haben.

**⚠️ WARNUNG:** Bewahren Sie die Plastikbeutel außerhalb der Reichweite von Kindern auf, um Erstickungsgefahr durch unsachgemäße Verwendung zu vermeiden.

<b>Power Stand-Karton</b>	<b>Karton mit Array und Erweiterung</b>	<b>Karton mit B1- oder B2-Bassmodul</b>
<p>L1 Power Stand</p>  <p>Tragetasche</p>  <p>Netzkabel</p>  <p>Kurzanleitung</p>  <p>Bedienungsanleitung</p>  <p>Produkt-Registrierungskarte</p> 	<p>L1 Model 1S-Top-Array und untere Erweiterung</p>  <p>Unten</p> <p>Oben</p> <p>Tragetasche</p> 	<p>B1- oder B2-Bassmodul</p>  <p>Abdeckung</p>  <p>Bassmodulkabel (4-adrig)</p>  <p>Selbstklebende GummifüÙe (nur für B2)</p>  <p>Bedienungsanleitung für das B1- oder B2-Bassmodul</p> 



## Aufstellen des Systems

Die richtige Positionierung des Power Stand ist ein wesentlicher Bestandteil beim Aufbau dieses Produkts.

Die Wahl des besten Aufstellungsorts auf der Bühne ist von verschiedenen Faktoren abhängig.

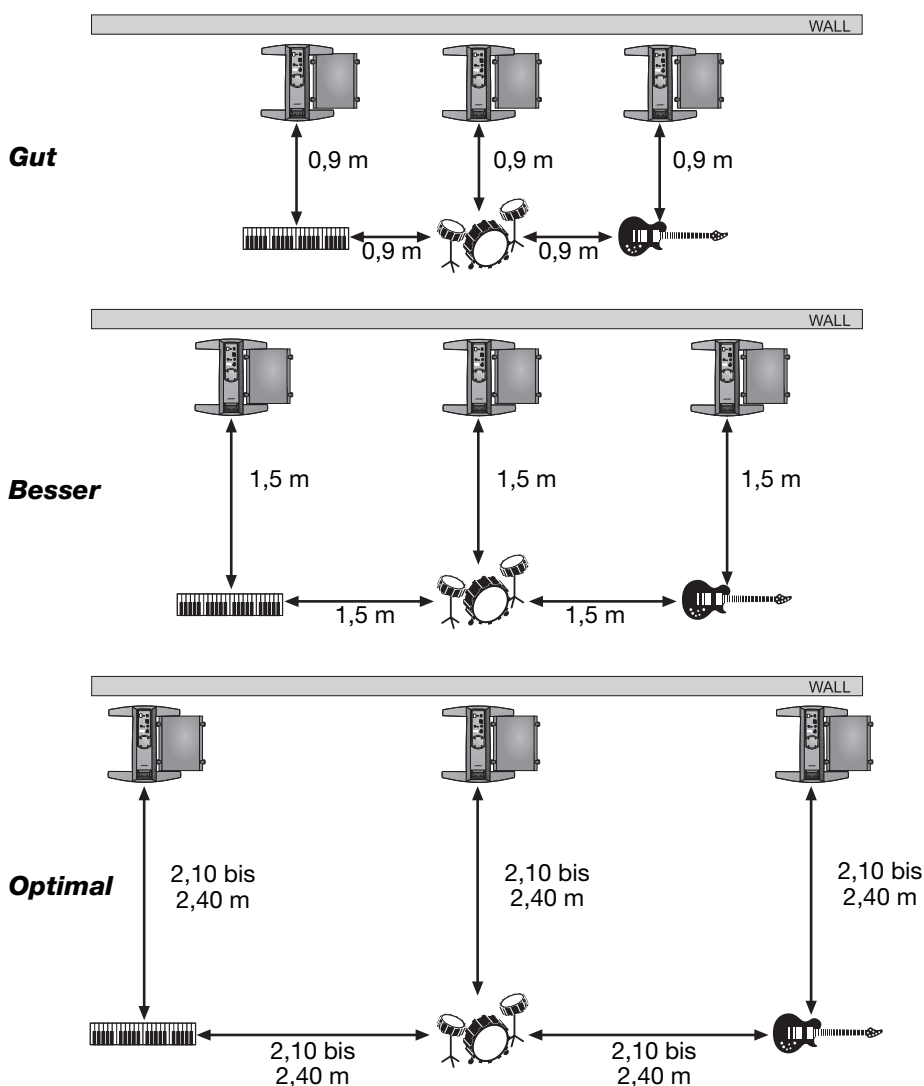
- Größe der Bühne
- Anzahl der Musiker
- Gemeinsame Systemnutzung (Hinzufügen einer T1 ToneMatch®-Audio-Engine und mehrerer Instrumente)

Die folgenden Richtlinien sollen Ihnen helfen, bei einem Konzert eine Grundkonfiguration aufbauen zu können.

- Bauen Sie Ihr System im hinteren Bereich der Bühne auf.
- Falls möglich, stellen Sie es hinter die Musiker.
- Die beteiligten Musiker sollten sich auf der Bühne verteilen. Lassen Sie etwas Abstand, idealerweise 2,10 bis 2,40 m, zwischen sich, dem L1TM Modell II System und anderen Musikern. Dadurch kann der Schall sich besser um die Musiker herumverteilen und an seitlich angrenzenden Raumboflächen reflektiert werden, wodurch ein angenehm raumfüllender Klang erzeugt wird.

### Abbildung 1

Empfehlungen für die Aufstellung

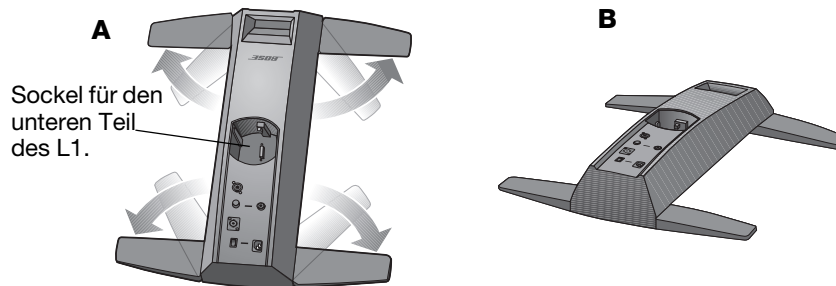


## Aufstellen des Power Stand

1. Abbildung 2 Halten Sie den Power Stand senkrecht auf dem Boden (A), fassen Sie eine Standstütze und drehen Sie sie so weit wie möglich nach außen. Die Stütze auf der anderen Seite wird automatisch herausgedreht. **Die Standstützen müssen vollständig nach außen gedreht sein, bevor Sie den unteren Teil des TM in den Power Stand einsetzen können.**
2. Abbildung 2 Stellen Sie den Power Stand an der endgültigen Position flach auf den Boden (B).

**Abbildung 2**

Power Stand auf den Boden stellen



**⚠️ WARNUNG:** Bewegen Sie das zusammengebaute System NICHT als Einheit. Sie könnten sich oder andere Personen dabei verletzen und/oder das Produkt beschädigen. Stellen Sie den Power Stand an der gewählten Position auf den Boden, bevor Sie das System zusammenbauen.

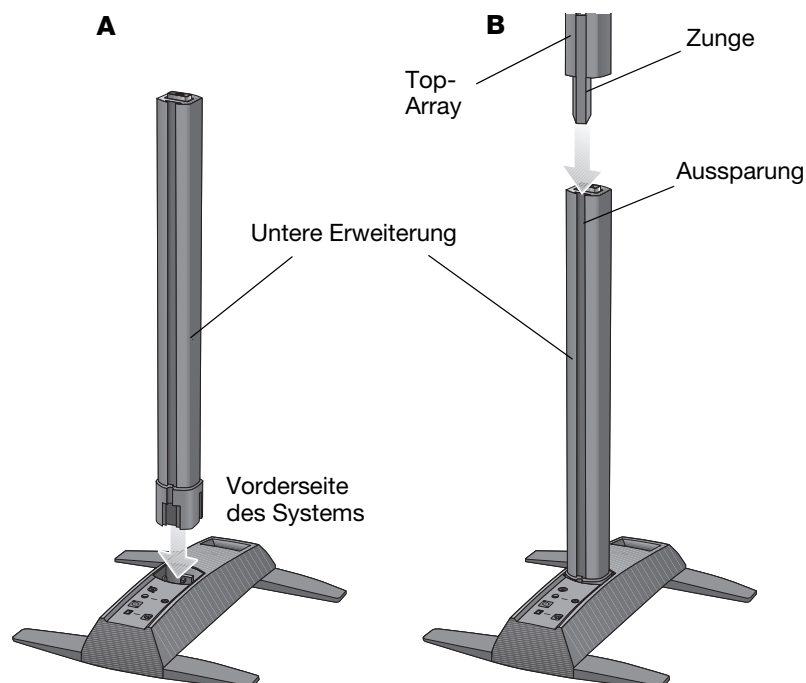
## Zusammenbauen des L1® Modell 1S-Systems

In diesem Abschnitt wird beschrieben, wie Sie die Lautsprecherteile in den Power Stand einsetzen. Wenn Sie die T1 ToneMatch™-Audio-Engine an das L1 Modell II-System anschließen möchten, lesen Sie den Abschnitt „Hinzufügen einer T1 ToneMatch®-Audio-Engine (optional)“ auf Seite 13.

1. Abbildung 3 Halten Sie den unteren Teil des so, dass das Gitter nach vorne zeigt, und setzen Sie ihn in den Power Stand ein (A). Achten Sie darauf, den unteren Teil des L1 vollständig in den Sockel einzusetzen, damit Stabilität und eine gute Verbindung gewährleistet sind.
2. Abbildung 3 Richten Sie die Lasche am oberen Teil des an der Aussparung auf der Rückseite des unteren Teils des aus und senken Sie den oberen Teil in den unteren, bis die Teile genau ineinanderpassen (B).

**Abbildung 3**

Einrichten des Systems

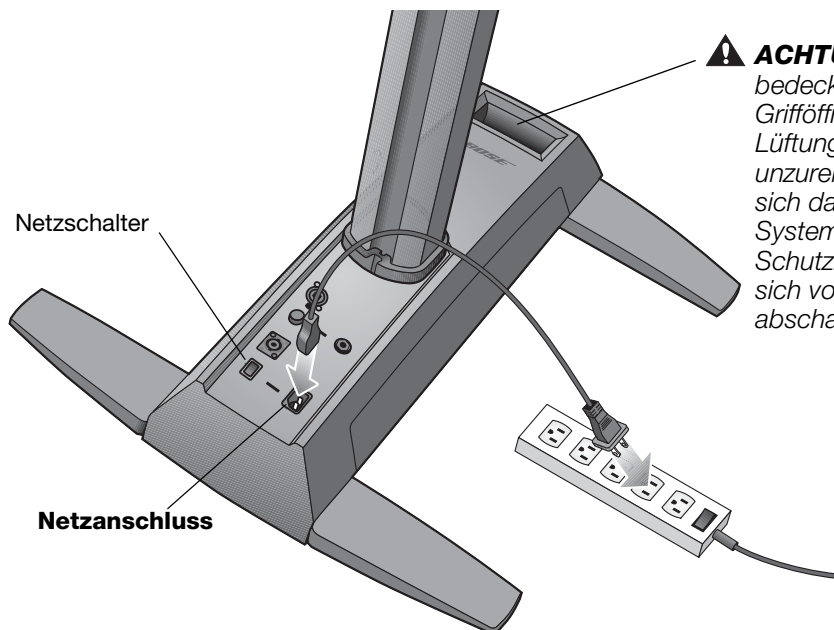


## Anschluss an das Stromnetz

1. Stellen Sie sicher, dass sich der Netzschalter in der AUS-Position befindet.
2. Stecken Sie ein Ende des Netzkabels in den Netzanschluss **AC Mains** am Power Stand.
3. Stecken Sie den anderen Stecker des Netzkabels in eine Steckdose (Abbildung 4).

### Abbildung 4

Anschluss an die Stromversorgung



**⚠ ACHTUNG:** Bose empfiehlt die Verwendung eines Marken-Spannungsschutzgeräts an jedem elektronischen Gerät. Spannungsschwankungen und -spitzen können elektronische Komponenten in den allermeisten Systemen beschädigen. Ein Überspannungsfilter verhindert einen Großteil der durch Spannungsspitzen verursachten Schäden und ist in Elektronikfachgeschäften erhältlich.

## Anschließen des B1- oder B2-Bassmoduls

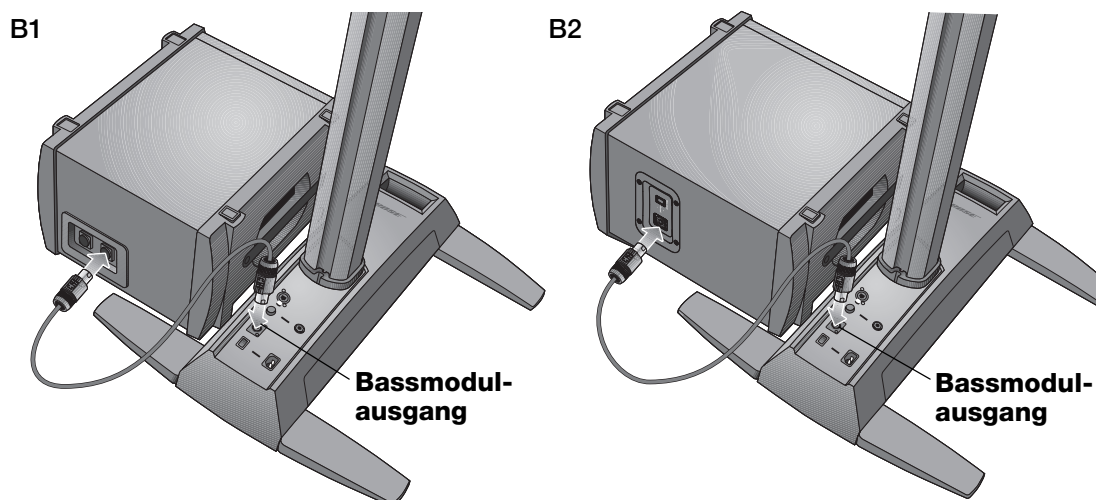
Sie können das B2-Bassmodul aufrecht oder auf der Seite auf den Boden stellen. Es passt problemlos zwischen die Stützen des Power Stands.

1. Stecken Sie ein Ende des B1-Bassmodulkabels in einen der B2-Anschlüsse. Drehen Sie den Stecker im Uhrzeigersinn, um ihn zu sichern. Beim Einrasten hören Sie ein leises Klicken.
2. Stecken Sie das andere Ende des Kabels in den Anschluss **Bass Module Out** des Power Stand. Drehen Sie den Stecker im Uhrzeigersinn, um ihn zu sichern.

🎵 **Hinweis:** Zum Trennen eines B2-Kabels schieben Sie die Metalltaste am Stecker zurück, drehen Sie den Stecker gegen den Uhrzeigersinn, und ziehen Sie ihn heraus.

### Abbildung 5

B1- und B2-Bassmodule



### ⚠️ ACHTUNG:

- Schließen Sie kein anderes Bassmodul als das B2 an den Power Stand an.
- Ersetzen Sie das mitgelieferte Kabel keinesfalls durch ein zweiadriges Lautsprecherkabel. Verwenden Sie zum Anschließen des B1-Bassmoduls an den Power Stand ausschließlich das mitgelieferte vieradrige B1-Bassmodul-Kabel. Zwei Adern des Kabels werden zum automatischen Erkennen der Anzahl der angeschlossenen B2-Bassmodule durch den Power Stand verwendet.
- Schließen Sie ein B2-Bassmodul nie an zwei Power Stands gleichzeitig an.

## Hinzufügen einer T1 ToneMatch®-Audio-Engine (optional)

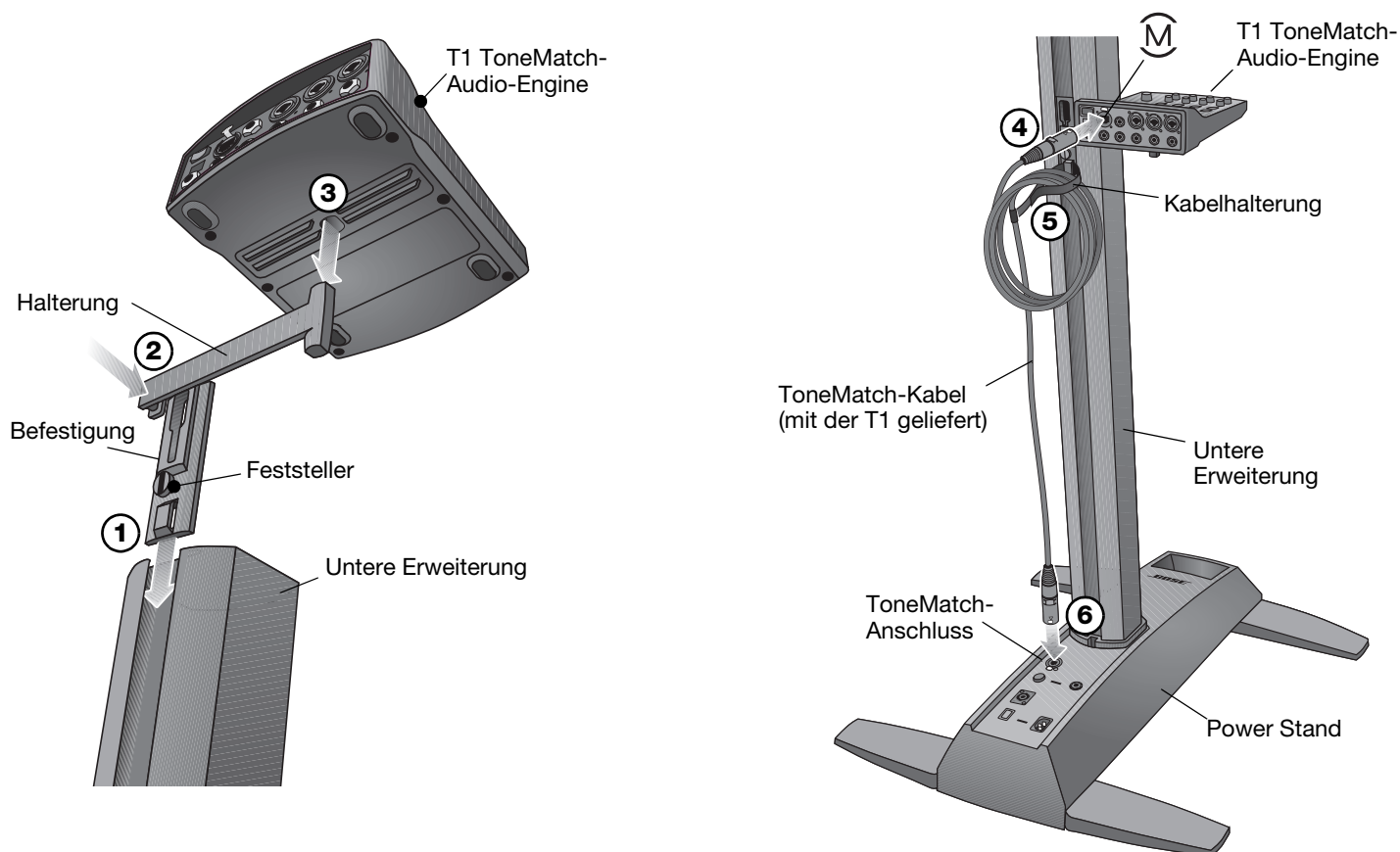
Mit einer T1 ToneMatch®-Audio-Engine fügen Sie Ihrem System zusätzliche Ein-/Ausgänge sowie digitale Signalverarbeitung zur Anpassung des Klangs hinzu. Die Audio-Engine wird mit Hardware für das Anbringen an der linken oder rechten Seite der unteren Erweiterung geliefert.

🎵 **Hinweis:** Die Audio-Engine wird am unteren Teil des Lautsprechers angebracht; dazu muss zunächst der obere Teil des Lautsprechers entfernt werden.

1. Schieben Sie die Befestigungsvorrichtung in die Aussparungsschiene auf der Rückseite des unteren Teils des -Lautsprechers und drehen Sie den Feststeller im Uhrzeigersinn (Abbildung 6).
2. Setzen Sie die Halterung in den Schlitz der Befestigungsvorrichtung und drücken Sie sie nach unten.
3. Setzen Sie die T1-Audio-Engine wie in der Abbildung gezeigt auf die Halterung.
4. Schließen Sie ein Ende des ToneMatch-Kabels (im Lieferumfang der Audio-Engine enthalten) an den ToneMatch-Ausgang (M) an der T1-Audio-Engine an.
5. Sichern Sie das Kabel mit der Kabelhalterung.
6. Stecken Sie das andere Ende des Kabels in den ToneMatch-Anschluss des Power Stands.

### Abbildung 6

T1-Audio-Engine anbringen



## Hinzufügen eines zweiten **B1-Bassmoduls (optional)**

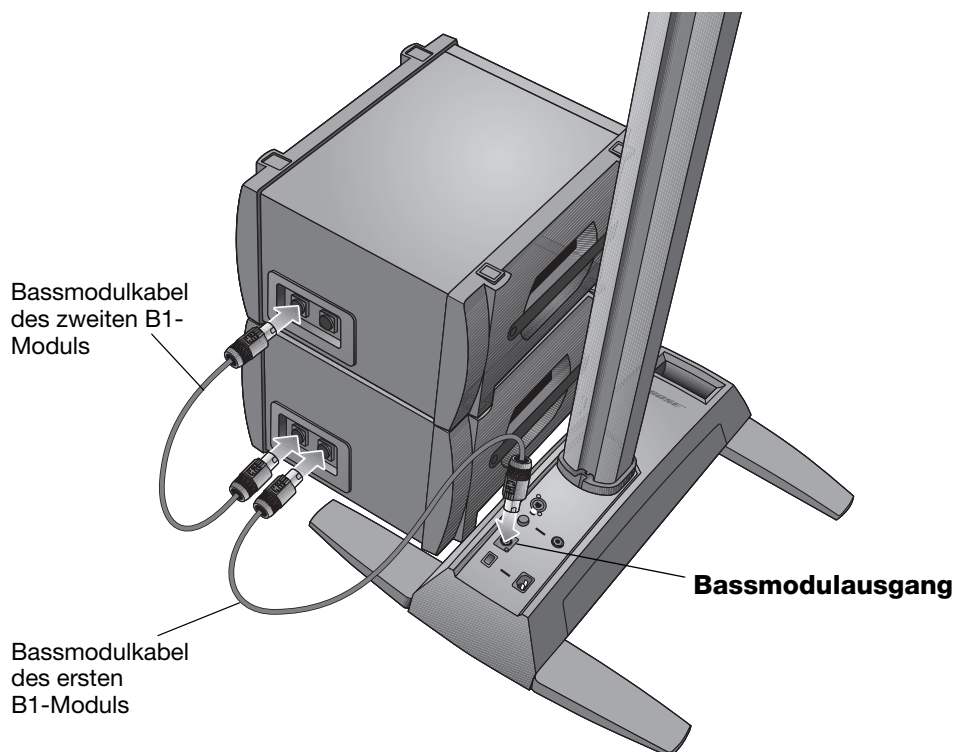
Über den Bassmodul-Ausgang des Power Stand lassen sich ein oder zwei B1-Bassmodule betreiben. Bei horizontaler Aufstellung können die Module aufeinandergestapelt werden (Abbildung 7).

**⚠ ACHTUNG:** Schließen Sie höchstens zwei B1 Bassmodule an den **Bassmodul-Ausgang** am Power Stand an. Wenn Sie mehr als zwei B1-Bassmodule über diesen Ausgang betreiben, wird der Verstärker im Power Stand ungleichmäßig belastet, was die Systemleistung beeinträchtigen kann.

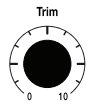
1. Schließen Sie das erste B1-Modul an den **Bassmodul-Ausgang** am Power Stand an.
2. Schließen Sie ein Ende des Kabels vom zweiten B1-Modul an den nicht verwendeten Anschluss am ersten B1-Modul an. Stecken Sie das andere Ende des Kabels in einen der Anschlüsse am zweiten B1-Modul.

### Abbildung 7

Zwei B1 Bassmodule anschließen



## Analogen Eingangspegel einstellen



Wenn Sie eine Audioquelle an den **analogen Eingang (Analog Input)** anschließen, gehen Sie folgendermaßen vor, um die **Trim**-Steuerung zu regulieren.

1. Stellen Sie den **Trim**-Regler am Power Stand auf die Null-Position (0).
2. Schließen Sie die Audioquelle an den **analogen Eingang (Analog Input)** an.
3. Stellen Sie die Lautstärke der Audioquelle wie gewünscht ein.
4. Während die Quelle abgespielt wird, erhöhen Sie den **Trim**-Pegel, bis die Anzeige **Signal/Clip** grün oder gelb leuchtet.
5. Wenn die Anzeige **Signal/Clip** rot leuchtet, verringern Sie den **Trim**-Pegel, bis die Anzeige grün oder gelb leuchtet.

## Verwenden der T1 ToneMatch®-Audio-Engine und einer analogen Eingangsquelle

Das L1® Modell 1S-System kann verwendet werden, während sowohl eine T1 ToneMatch®-Audio-Engine als auch eine analoge Audioquelle an den Power Stand angeschlossen sind. Beachten Sie dabei jedoch, dass die Lautstärke der Audio-Engine und der analogen Audioquelle unabhängig voneinander eingestellt werden.

- Die **Trim**-Steuerung des Power Stand wirkt sich nur auf die Lautstärke der analogen Audioquelle aus, die an den **analogen Eingang (Analog Input)** angeschlossen ist. Deshalb zeigt die Anzeige **Signal/Clip** nur den Status des analogen Eingangssignals an.
- Die T1 ToneMatch-Audio-Engine verfügt über eine **Trim**-Steuerung und eine Signal/Clip-Anzeige für jeden Eingang, einen **Lautstärkereglер (Volume)** für jeden Ausgangskanal und einen **Master**-Lautstärkereglер, der den Pegel des ToneMatch-Ausgangs, der an den Power Stand geleitet wird, regelt. Diese Steuerungen haben keine Auswirkung auf das Signal, das an den **analogen Eingang (Analog Input)** geleitet wird.

## Aufstellungsbeispiele

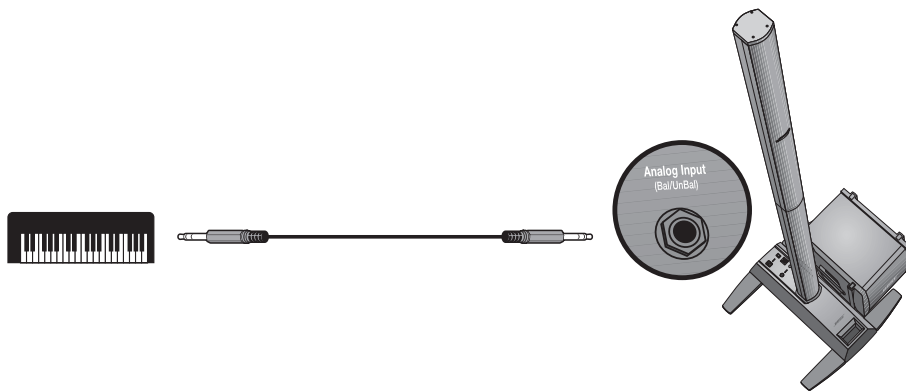
Es gibt viele Möglichkeiten, dieses System mit oder ohne T1 ToneMatch-Audio-Engine aufzubauen und zu verwenden. Auf den folgenden Seiten finden Sie Beispiele für typische Einsatzmöglichkeiten. Wenn Sie die T1 ToneMatch-Audio-Engine verwenden, informieren Sie sich in der entsprechenden Bedienungsanleitung über Aufbau und Betrieb der Audio-Engine.

### Einzelner Musiker

Ein Solomusiker kann ein einzelnes Instrument über das L1 Modell 1S-System spielen (Abbildung 1). Ebenso kann ein Solomusiker ein Instrument spielen und ein Mikrofon für den Gesang verwenden (Abbildung 2 auf Seite 16).

#### Abbildung 1

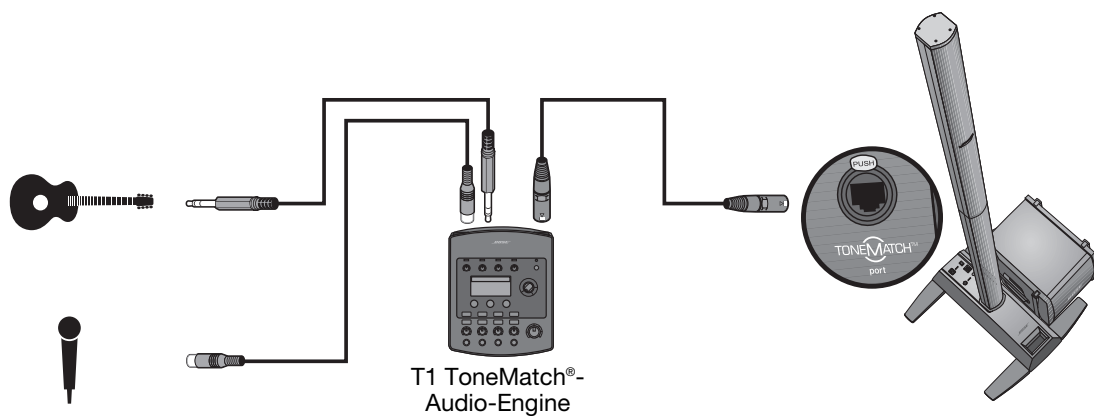
Einzelnes System mit Keyboard



## INFORMATIONEN ZUR BEDIENUNG

**Abbildung 2**

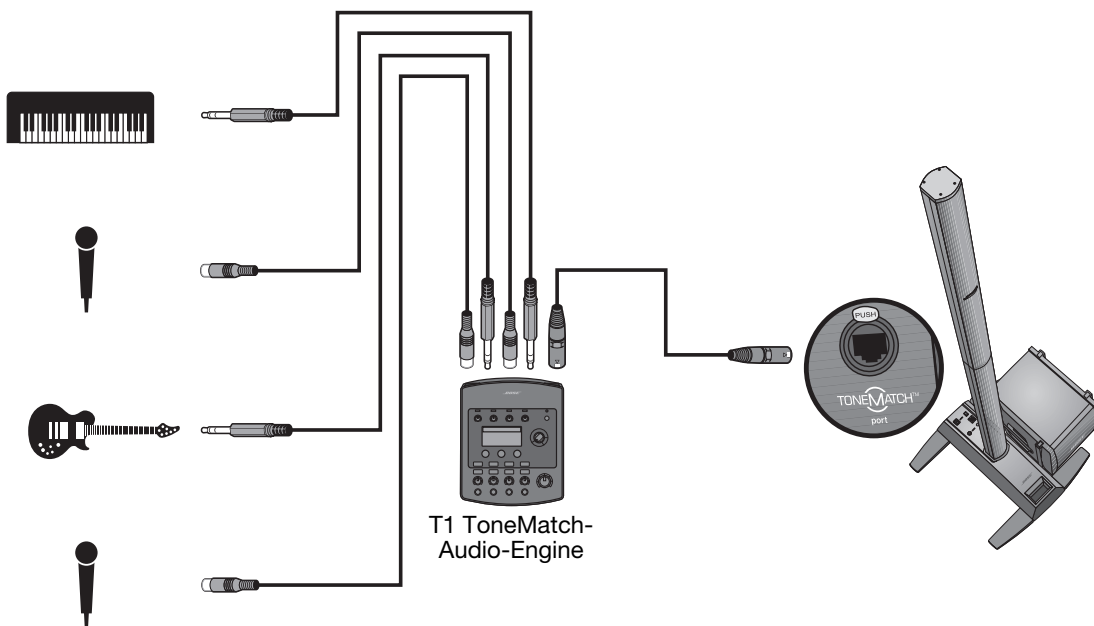
Einzelnes System mit  
Gitarre und Mikrofon

**Mehrere Musiker**

In diesem Szenario singt und spielt ein Keyboard-Gitarren-Duo über eine T1 ToneMatch-Audio-Engine und ein L1®-System.

**Abbildung 3**

Einzelnes System mit  
mehreren Instrumenten und  
T1 ToneMatch-Audio-  
Engine



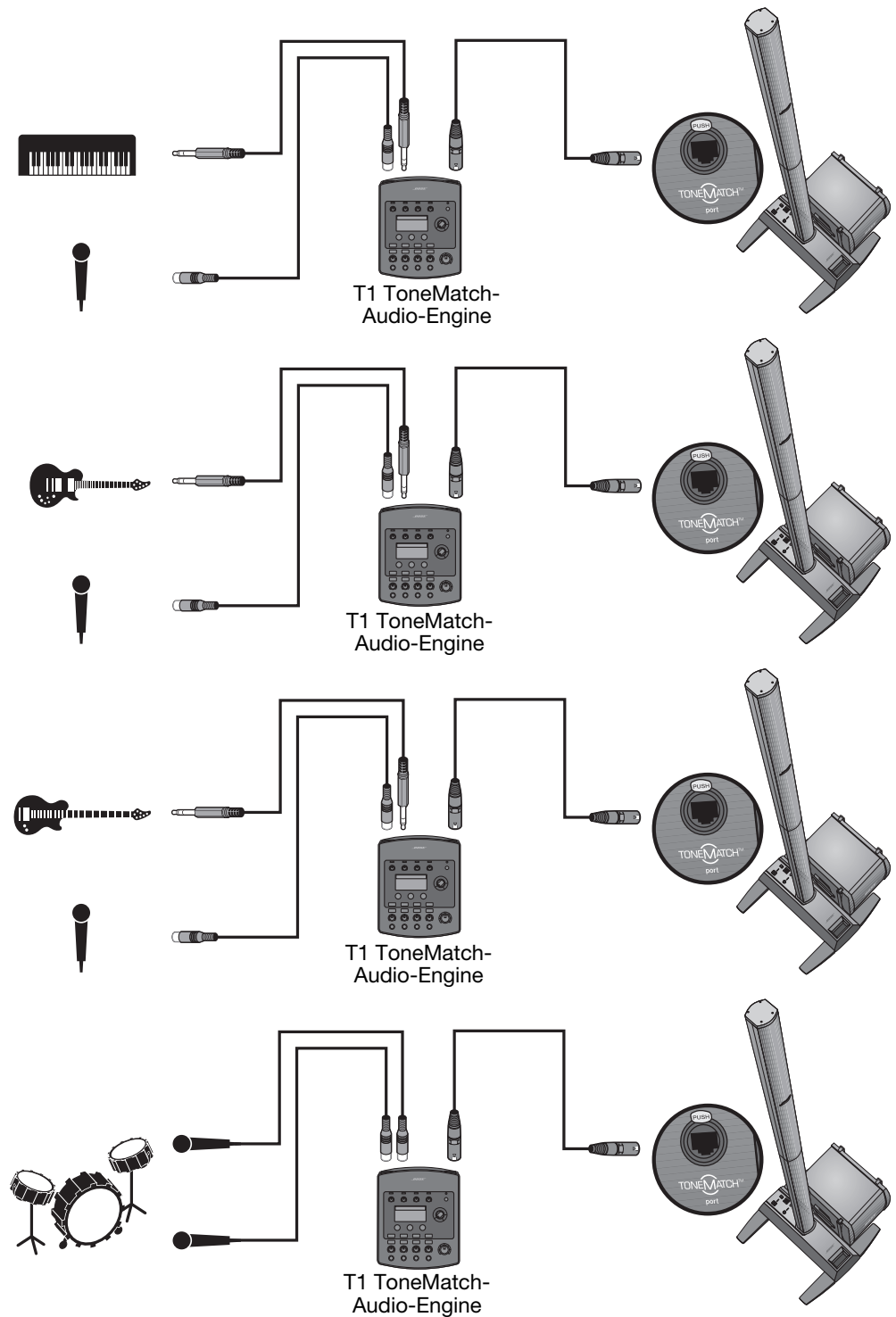


## Komplette Besetzung

Eine Band mit klassischer Besetzung verwendet mehrere T1 ToneMatch®-Audio-Engines und L1®-Systeme. Jeder Musiker spielt und singt über eine eigene T1 ToneMatch-Audio-Engine und ein L1-System.

### Abbildung 4

Mehrere Systeme mit jeweils einer T1 ToneMatch-Audio-Engine

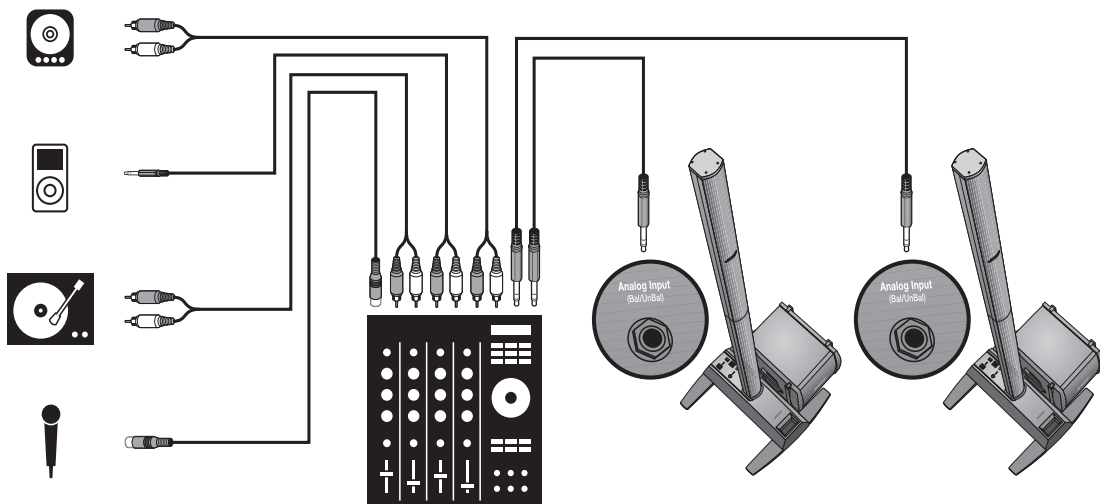


## DJ-Events

DJs verwenden viele verschiedenen Eingangsquellen (z. B. CD-Spieler, Plattenspieler, MP3-Player), die an ein Mischpult angeschlossen sind. In diesem Szenario können zwei Mischpultausgänge für den Stereoton an zwei L1®-Systeme angeschlossen werden.

### Abbildung 5

Zwei Systeme,  
ein Mischpult und  
Eingangsgeräte



**Pflege des Produkts****Reinigung**

- Verwenden Sie zum Reinigen der Gehäuse nur ein weiches, trockenes Tuch.
- Verwenden Sie weder Lösungsmittel oder Chemikalien noch Reinigungsmittel, die Alkohol, Ammoniak oder Polituren enthalten.
- Benutzen Sie keine Sprays in der Nähe des Geräts, und achten Sie darauf, dass keine Flüssigkeiten in die Öffnungen gelangen.
- Reinigen Sie bei Bedarf das Gitter des L1®-Lautsprechers vorsichtig mit einem Staubsauger.

**Kundendienst**

Sollten Sie weitere Unterstützung bei der Fehlerbehebung benötigen, wenden Sie sich an das Bose® Live Music Customer Service Product and Technical Support Team unter +1-877-335-2673 oder besuchen Sie unseren Supportbereich im Internet unter [www.Bose.com/livesound](http://www.Bose.com/livesound).

**Fehlerbehebung**

Falls Probleme mit dem Gerät auftreten, beachten Sie die folgenden Lösungsvorschläge. Lässt sich das Problem dann immer noch nicht lösen, wenden Sie sich direkt an das Bose Live Music Customer Service Product and Technical Support Team unter der Telefonnummer +1-877-335-2673, um einen Termin abzusprechen.

**Empfohlene Werkzeuge zur Problemlösung**

- Tragbarer Spannungsmesser
- XLR- und ¼"-Klinkensteckerkabel
- Durchgangsprüfer
- vieradriges Kabel für B1-Bassmodul
- Spannungsprüfer
- Ersatz-Netzkabel

<b>Problem</b>	<b>Lösung</b>
Das Gerät ist an die Steckdose angeschlossen und eingeschaltet, aber die Power-LED leuchtet nicht	<ul style="list-style-type: none"> <li>• Stellen Sie sicher, dass die Steckdose funktioniert und angeschlossen ist. Testen Sie die Steckdose, indem Sie eine Lampe oder andere Geräte anschließen, oder verwenden Sie einen Spannungsprüfer.</li> <li>• Stellen Sie sicher, dass der Netzstecker des Power Stand vollständig in die Steckdose eingesteckt ist.</li> </ul>
Die Power-LED leuchtet grün, aber kein Ton	<ul style="list-style-type: none"> <li>• Stellen Sie sicher, dass der Lautstärkeregler an Ihrem Instrument richtig eingestellt ist.</li> <li>• Stellen Sie sicher, dass die <b>Trim</b>-Steuerung am Power Stand hochgeregelt ist.</li> <li>• Vergewissern Sie sich, dass Ihr Instrument an den <b>analogen Eingang (Analog Input)</b> angeschlossen ist.</li> <li>• Schließen Sie das Instrument mit einem anderen Kabel an den Power Stand an.</li> <li>• Testen Sie das Instrument mit einem anderen Verstärker, um sicherzugehen, dass es funktioniert.</li> </ul>
Der Power Stand ist eingeschaltet, die Power-LED leuchtet rot	<ul style="list-style-type: none"> <li>• Wenden Sie sich an den Bose Live Music Customer Support unter +1-877-335-2673.</li> </ul>
Die Automaten der Haussicherungen werden wiederholt ausgelöst	<ul style="list-style-type: none"> <li>• Falls Sie mehrere Power Stands an denselben Stromkreis anschließen wollen, schalten Sie die Geräte nicht gleichzeitig, sondern in zeitlichen Abständen nacheinander ein. Der Einschaltstrom jedes Power Stands liegt bei ca. 32 A.</li> <li>• Wenn mehr als drei Power Stands an einen 16-A-Stromkreis angeschlossen sind, schließen Sie einen Teil der Geräte an einen anderen Stromkreis an. Jeder der Power Stands kann bei längerem Betrieb mit hoher Lautstärke 5 A oder mehr aufnehmen.</li> </ul>

## PFLEGE UND WARTUNG

<b>Problem</b>	<b>Lösung</b>
Wenn nichts an den Power Stand angeschlossen ist, ist ein leichtes <i>Brummen</i> oder <i>Summen</i> zu hören.	<ul style="list-style-type: none"> <li>• Verwenden Sie einen Spannungsprüfer, um die Steckdose, in die der Power Stand gesteckt ist, auf vertauschte oder offene Kontakte zu überprüfen.</li> <li>• Falls Sie ein Verlängerungskabel verwenden, testen Sie es ebenfalls.</li> </ul>
Das B1- oder B2-Bassmodul ist angeschlossen, aber es werden keine Bässe wiedergegeben	<ul style="list-style-type: none"> <li>• Vergewissern Sie sich, dass Sie das im Lieferumfang enthaltene vieradrige B1-/B2-Bassmodulkabel verwenden.</li> <li>• Überprüfen Sie, dass das B1- oder B2-Bassmodulkabel an den Anschluss <b>Bass Module Out</b> angeschlossen ist und das Kabel fest im Anschluss sitzt.</li> <li>• Versuchen Sie es mit einem anderen vieradrigen Kabel.</li> <li>• Falls möglich, versuchen Sie es mit einem anderen B1-/B2-Bassmodul.</li> </ul>
Die Wiedergabelautstärke des B1-Bassmoduls ist unausgewogen bezogen auf das restliche System	<ul style="list-style-type: none"> <li>• Stellen Sie sicher, dass das mitgelieferte vieradrige B1-/B2-Bassmodulkabel verwendet wird.</li> <li>• Stellen Sie sicher, dass das Abdeckungsgitter des B1- oder B2-Bassmoduls in Richtung der Musiker und des Publikums zeigt.</li> </ul>
Vom L1®-Top-Array sind keine mittleren/hohen Töne zu hören	<ul style="list-style-type: none"> <li>• Vergewissern Sie sich, dass das L1-Top-Array und die unteren Erweiterungen fest in ihren Anschlüssen sitzen.</li> <li>• Stellen Sie sicher, dass die Stecker nicht verbogen oder abgebrochen sind.</li> <li>• Säubern Sie die Kontakte des oberen und des unteren Teils des Lautsprechers mit Kontakt-Reinigungsspray.</li> </ul>
Instrumente oder Audioquellen hören sich verzerrt an	<ul style="list-style-type: none"> <li>• Stellen Sie sicher, dass die Signal/Clip-LED nicht konstant rot leuchtet. Falls dies der Fall ist, reduzieren Sie die Einstellung des Trim-Reglers.</li> <li>• Probieren Sie eine andere Audioquelle oder ein anderes Instrument aus.</li> <li>• Probieren Sie die Quelle oder das Instrument mit einem anderen Power Stand aus.</li> </ul>
Am Mikrofon treten Rückkopplungen auf.	<ul style="list-style-type: none"> <li>• Richten Sie das Mikrofon so aus, dass es nicht direkt in Richtung des zugehörigen L1-Systems zeigt.</li> <li>• Probieren Sie ein anderes Mikrofon aus.</li> <li>• Verändern Sie die Position des Lautsprechers und/oder des Sängers auf der Bühne.</li> <li>• Erhöhen Sie den Abstand zwischen dem Lautsprecher und dem Mikrofon.</li> <li>• Falls Sie einen Effektprozessor verwenden, stellen Sie sicher, dass dieser nicht die Ursache des Problems ist.</li> </ul>

## Eingeschränkte Garantie und Registrierung

Für Ihr Produkt gilt eine eingeschränkte Garantie. Einzelheiten zu den Garantiebedingungen finden Sie im Produktkarton. Sie können das Produkt online unter [www.Bose.com/register](http://www.Bose.com/register) oder telefonisch unter der Rufnummer 800-905-1044 (nur in den USA und Kanada) registrieren. Ihre Garantierechte sind jedoch unabhängig davon gültig.

## Zubehör

Informationen zu Zubehör erhalten Sie online unter [www.Bose.com/livesound](http://www.Bose.com/livesound) oder telefonisch unter +1-800-905-0886.

## Technische Daten

### Mechanische

Komponente	Abmessungen	Gewicht
Power Stand:	12,8 cm x 26,2 cm x 69,2 cm (HxBxT)	10,7 kg
Top-Array:	111,0 cm x 9,0 cm x 10,5 cm (HxBxT)	7,4 kg
Untere Erweiterungen	100,6 cm x 10,6 cm x 10,5 cm (HxBxT)	3,8 kg
B1-Bassmodul:	38,0 cm x 26,0 cm x 45,0 cm (HxBxT)	11,4 kg
B2-Bassmodul:	59,4 cm x 33,8 cm x 48 cm (HxBxT)	20,41 kg

### Elektronik

- Stromversorgung:  
100 - 120 V  $\sim$  50/60 Hz 500 W (USA/Kanada); 220 - 240 V  $\sim$  50/60 Hz 500 W (Europa)
- Maximaler Einschaltstrom:  
32 A bei 120 V  $\sim$  60 Hz (USA/Kanada); 61 A bei 230 V  $\sim$  50 Hz (Europa)

Komponente	Impedanz
L1 <sup>®</sup> Model 1S-Lautsprecher:	4 $\Omega$
B1-Bassmodul:	8 $\Omega$
B2-Bassmodul:	4 $\Omega$

### Audio-Ein-/Ausgang

- T1 ToneMatch<sup>®</sup>-Anschluss: DC-Ausgang/Dateneingang, Ethercon/RJ45-Anschluss für eine T1 ToneMatch-Audio-Engine
- Analogeingang: Line-Eingangskanal für 1/4" TRS-Klinkenstecker
- Bassmodul Ausgang: Neutrik<sup>®</sup> NL4-Ausgang für ein oder zwei B1-Bassmodule

L1 und ToneMatch sind eingetragene Marken der Bose Corporation in den USA und anderen Ländern. Alle Marken sind das Eigentum der jeweiligen Inhaber.

# INFORMACIÓN DE SEGURIDAD

## Lea esta guía del usuario

Dedique el tiempo que sea necesario para seguir atentamente las instrucciones de esta guía del usuario, que le ayudarán a configurar y utilizar correctamente el sistema y a disfrutar de todas sus funciones avanzadas. Guarde esta guía del usuario para utilizarla como material de referencia en el futuro.

**⚠️ ADVERTENCIA:** Con el fin de reducir el riesgo de descargas eléctricas, no exponga el sistema a la lluvia o la humedad.

**⚠️ ADVERTENCIA:** Para reducir el riesgo de descargas eléctricas, no desmonte el sistema si no es usted un técnico cualificado. Las reparaciones debe llevarlas a cabo personal cualificado.



El símbolo de relámpago con una flecha dentro de un triángulo equilátero indica al usuario que la caja del sistema puede contener una tensión sin aislar de magnitud suficiente para constituir un riesgo de descarga eléctrica.



El signo de exclamación dentro de un triángulo equilátero, tal como aparece marcado en el sistema, avisa al usuario de que existen instrucciones de operación y mantenimiento importantes en esta guía del usuario.

**⚠️ PRECAUCIÓN:** Este producto se debe conectar a una toma de la red eléctrica con una conexión de tierra que sirva de protección.

**⚠️ PRECAUCIÓN:** No realice modificaciones en el sistema o los accesorios. Las alteraciones no autorizadas pueden comprometer aspectos de seguridad, cumplimiento normativo y rendimiento del sistema.

**⚠️ PRECAUCIÓN:** No coloque sobre el aparato o cerca de éste llamas vivas, por ejemplo, velas.

**⚠️ PRECAUCIÓN:** Si se utiliza la clavija de red o el conector del aparato como dispositivo de desconexión, deberá poder accionarse fácilmente.

**🎵 Nota:** Este producto debe utilizarse en espacios interiores. No está diseñado ni se ha probado para uso al aire libre, en vehículos de recreo o embarcaciones.

**CE** Este producto se ajusta a todos los requisitos aplicables de la UE. Encontrará la declaración de conformidad completa en: [www.Bose.com/compliance](http://www.Bose.com/compliance).

### Rellene para conservar como referencia


Este puede ser un buen momento para registrar los números de serie del sistema aquí y en la tarjeta de registro del producto. Puede registrar su producto en línea en [www.Bose.com/register](http://www.Bose.com/register) o llamando al (800) 905-1044. No hacerlo no supondrá ningún perjuicio sobre los derechos derivados de la garantía.

Pedestal L1® modelo 1S: \_\_\_\_\_

Conjunto superior y extensión inferior: \_\_\_\_\_

Módulo de graves B1 o B2: \_\_\_\_\_

## INSTRUCCIONES DE SEGURIDAD IMPORTANTES

1. Lea las siguientes instrucciones.
2. Guarde estas instrucciones.
3. Tenga presentes todas las advertencias.
4. Siga todas las instrucciones.
5. No utilice este aparato cerca del agua.
6. Límpielo solo con un trapo seco.
7. No bloquee las aberturas de ventilación. Realice la instalación de acuerdo con las instrucciones del fabricante.
8. No lo instale cerca de fuentes de calor, tales como radiadores, salidas de aire caliente, cocinas u otros aparatos (incluidos amplificadores) que generen calor.
9. No elimine el mecanismo de seguridad del enchufe con toma a tierra o polarizado. Los enchufes polarizados disponen de dos clavijas, una de mayor tamaño que la otra. Los enchufes con toma a tierra tienen dos clavijas y un tercer terminal de tierra. La patilla más ancha y el tercer terminal se incluyen como medida de seguridad. Si el enchufe suministrado no encaja en la toma, póngase en contacto con un electricista para sustituir la toma antigua.
10. Proteja el cable de alimentación de forma que nadie lo pise ni quede pinzado, en particular cerca de enchufes, receptáculos de tomas múltiples y en el lugar en que sale del aparato.
11. Utilice solo conexiones y accesorios suministrados por el fabricante.
12. Utilícelo sólo con el carrito, soporte, trípode, abrazadera o mesa suministrados por el fabricante o incluidos con el dispositivo. Cuando utilice un carrito, tenga cuidado al mover el carrito con el dispositivo para evitar que caiga y produzca daños. 
13. Desenchufe el aparato si se produce una tormenta eléctrica o si no lo va a utilizar durante periodos prolongados de tiempo.
14. Toda reparación debe ser realizada por personal cualificado. Lleve el dispositivo a reparar si presenta algún daño, por ejemplo, si el cable de alimentación o el enchufe están dañados, si se han vertido líquidos o se han caído objetos sobre el dispositivo o ha estado expuesto a la lluvia o humedad, si no funciona correctamente o ha caído al suelo.
15. Para prevenir el riesgo de incendio o descargas eléctricas, evite sobrecargar los enchufes, alargadores o receptáculos de las tomas.
16. Evite que caigan objetos o líquidos sobre el producto, ya que podrían entrar en contacto con puntos de niveles de voltaje altos o partes que podrían sufrir un cortocircuito y causar incendios o descargas eléctricas.
17. Consulte las indicaciones de seguridad en la parte inferior de la caja del producto.
18. Utilice fuentes de alimentación adecuadas. Conecte el producto a una fuente de alimentación, tal y como se describe en las instrucciones de funcionamiento o en el propio producto.
19. El aparato no debe recibir salpicaduras ni mojarse, por lo que cualquier objeto que contenga líquido, como jarrones, no debe colocarse sobre éste.

### Información sobre productos que generan ruido eléctrico

NOTA: Este equipo se ha probado y ha quedado demostrado que cumple con los límites para dispositivos digitales de clase A, de acuerdo con el apartado 15 de las normas de la FCC. Estos límites están diseñados para ofrecer una protección razonable contra las interferencias perjudiciales cuando el aparato se utiliza en un entorno comercial. Este equipo genera, utiliza y puede irradiar energía de radiofrecuencia y, si no se instala y se utiliza de acuerdo con el manual de instrucciones, podría ocasionar interferencias perjudiciales para las comunicaciones por radio. La utilización de este equipo en una zona residencial podría causar interferencias dañinas. En ese caso, la corrección de la interferencia correrá a cargo del usuario.

Los cambios o modificaciones no aprobados expresamente por Bose Corporation podrían anular la autorización que tiene el usuario para utilizar este equipo.

Este aparato de Clase A cumple las especificación canadiense ICES-003.

Corriente de irrupción en encendido inicial: 32 Amps

Corriente de irrupción después de 5 segundos de interrupción de la corriente de red: 32 Amps

Este producto cumple todos los requisitos de inmunidad EN55103-2 para entornos electromagnéticos E2.

<b>INTRODUCCIÓN</b>	<b>5</b>
Bienvenido .....	5
Características y ventajas .....	5
Características del producto .....	6
Conexiones y controles .....	7
<b>INSTALACIÓN DEL SISTEMA</b>	<b>8</b>
Lista de piezas .....	8
Colocar el sistema .....	9
Instalar el pedestal .....	10
Montar el sistema L1® modelo 1S .....	10
Conectar a la alimentación de CA .....	11
Conectar el módulo de graves B1 o B2 .....	12
Añadir un motor de audio T1 ToneMatch® (opcional) .....	13
Añadir un segundo módulo de graves B1 (opcional) .....	14
<b>INFORMACIÓN OPERATIVA</b>	<b>15</b>
Ajustar el nivel de entrada analógico .....	15
Utilizar un motor de audio T1 ToneMatch® y una fuente de entrada analógica .....	15
Opciones del usuario .....	15
Un solo músico .....	15
Varios músicos .....	16
Banda completa .....	17
Actuaciones de DJ .....	18
<b>CUIDADO Y MANTENIMIENTO</b>	<b>19</b>
Cuidado del producto .....	19
Limpieza .....	19
Cómo solicitar servicio .....	19
Resolución de problemas .....	19
Garantía limitada y registro .....	21
Accesorios .....	21
Información técnica .....	21
Datos mecánicos .....	21
Datos eléctricos .....	21
Entrada y salida de audio .....	21



# INTRODUCCIÓN

---

## ***Bienvenido***

Gracias por adquirir el sistema Bose® L1® modelo 1S con puerto ToneMatch®. Este sistema, basado en una nueva y revolucionaria tecnología, aporta las ventajas de un concierto acústico íntimo a las actuaciones amplificadas.

Esta guía del usuario proporciona instrucciones para la configuración y uso del sistema L1 y explica cómo conectarle equipos.

Si desea más información sobre el uso de este sistema, incluidas sugerencias, técnicas y preguntas frecuentes, visite [www.Bose.com/livesound](http://www.Bose.com/livesound) en Internet.

## ***Características y ventajas***

- **Usted controla el sonido.** Al igual que en una actuación sin amplificar, usted controla el sonido. Ya no tendrá que preguntarse cómo ha sonado a oídos de sus compañeros o del público, porque usted oír lo mismo que ellos.
- **Instalación fácil y rápida.** El sistema L1 es fácil de transportar y se puede instalar en cuestión de minutos, lo que le evita el laborioso y a menudo frustrante esfuerzo necesario para instalar correctamente equipos de sonido convencionales.
- **Mejora espectacular de las actuaciones.** Conseguirá mejoras espectaculares en sus actuaciones en comparación con el uso de equipos convencionales, porque ya no tendrá que esforzarse para oír cómo suenan usted y el resto de los músicos.
- **Genera entusiasmo y emoción.** La mejora en la actuación de los músicos genera el tipo de entusiasmo y emoción que valoran los amantes de la música.
- **Usted escucha lo mismo que el público.** Por primera vez, los músicos oyen lo mismo que su público, por lo que es menos probable que toquen sus instrumentos a unos niveles de sonido incómodos.
- **La música suena con un dinamismo natural.** Tanto los fragmentos más suaves como los más intensos se aprecian y disfrutan con claridad.
- **Mejora de la presentación.** Hay menos objetos en el escenario y, por tanto, más espacio.
- **Una reproducción de sonido única.** El público señala que nunca en una actuación amplificada había disfrutado de la claridad y el entusiasmo que produce escuchar la reproducción precisa del sonido de cada instrumento y apreciar el sonido de cada instrumento en su posición sobre el escenario (en lugar de una mezcla mono o incluso estéreo de todos los instrumentos).

## Características del producto

El sistema L1® modelo 1S –con puerto ToneMatch® que consiste en: el pedestal, la extensión inferior, el conjunto superior y un módulo de graves B1 o B2. El sistema también incluye una bolsa de transporte acolchada para cada uno de sus componentes.

Para ampliar el sistema y mejorar el rendimiento puede añadir:

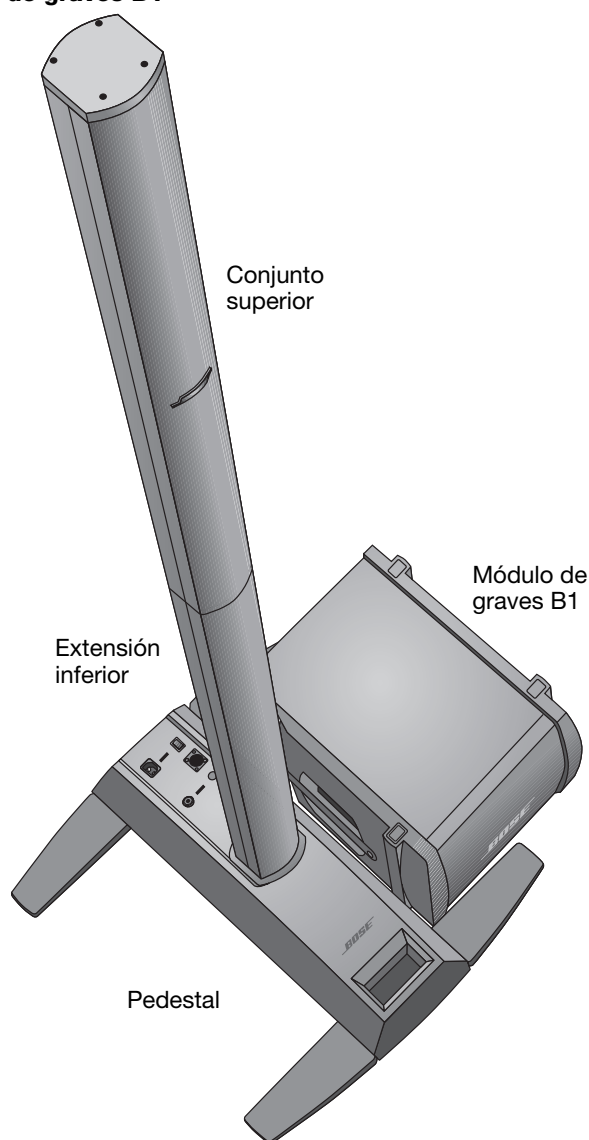
- Un segundo módulo de graves B1 para bajo, bombo de pedal u órgano. Cada pedestal puede alimentar hasta dos módulos de graves B1.
- Un motor de audio T1 ToneMatch para procesamiento de señales digitales, entradas adicionales y controles de la interfaz de usuario.

Si desea obtener una lista completa de equipos y accesorios opcionales, visite: [www.Bose.com/livesound](http://www.Bose.com/livesound).

### Figura 1

Sistema L1 modelo 1S y equipos opcionales

#### Sistema L1 modelo 1S con puerto ToneMatch y módulo de graves B1



#### Equipos opcionales

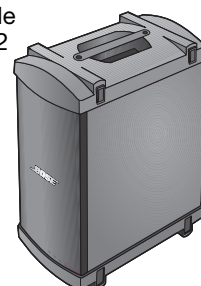
Motor de audio T1 ToneMatch



Módulo de graves B1 adicional



Módulo de graves B2



## Conexiones y controles

Los conectores y controles del sistema se encuentran en el panel superior del pedestal (Figura 2).

**Figura 2**

Panel superior del pedestal

### LED de encendido/fallo

Indica el estado de encendido.

Azul = el sistema está encendido

Rojo = fallo del sistema

### Interruptor de encendido

Enciende y apaga el sistema.

### Salida del módulo de graves

Señal de salida de graves para excitar uno o dos módulos de graves B1. Acepta un cable de módulo de graves de cuatro hilos.

### Regulación

Ajusta el nivel de la señal de entrada analógica.

### Red de CA

Conector de entrada de alimentación de CA.

### Entrada analógica

Una entrada analógica de nivel de línea. Acepta un cable telefónico TRS de 1/4". Se emplea para un instrumento u otra fuente de audio.

### LED de señal/recorte

Indica el estado de la señal de entrada analógica.

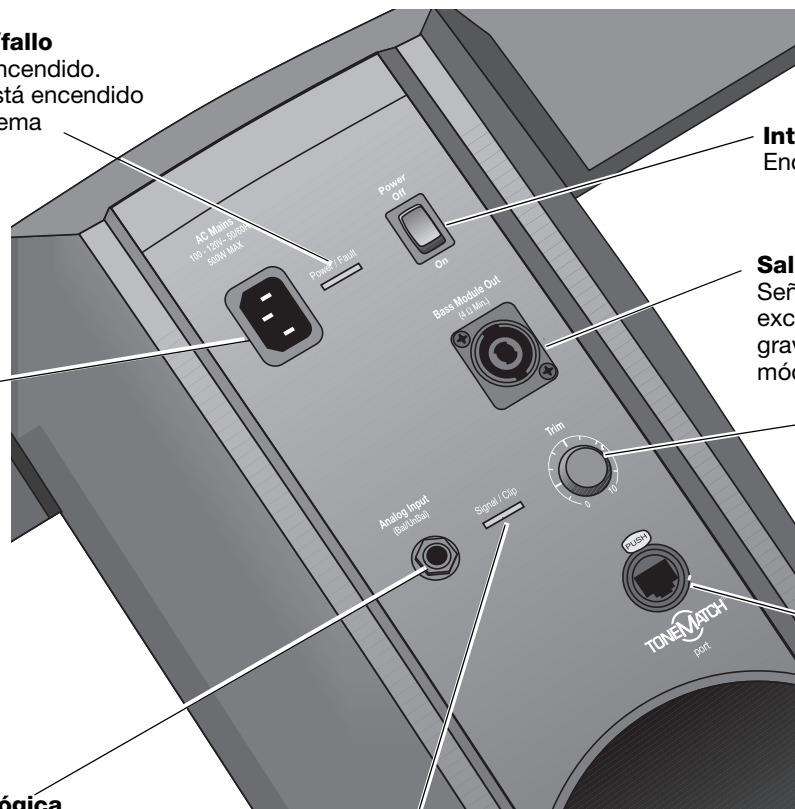
Verde = entrada normal

Amarillo = entrada próxima al recorte

Rojo = recorte de entrada

### Puerto ToneMatch®

Conexión de alimentación y audio digital para el motor de audio T1 ToneMatch opcional. Acepta el cable ToneMatch incluido.

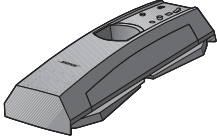
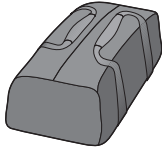


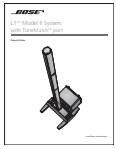

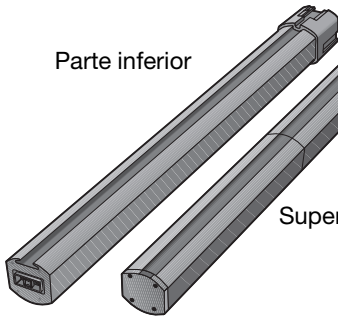
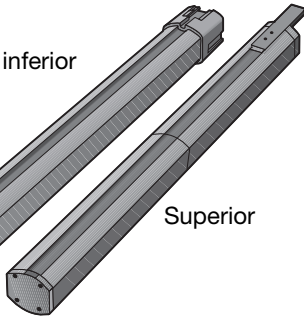
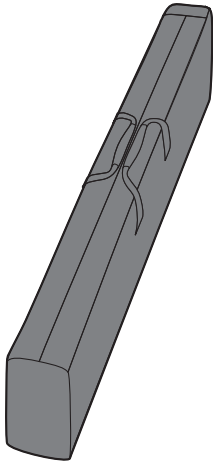


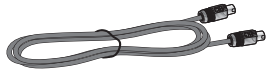




# INSTALACIÓN DEL SISTEMA

## Lista de piezas

El sistema L1® se suministra en tres cajas. Desembale cuidadosamente las cajas y compruebe que dispone de todos los artículos que se indican en esta página.

**ADVERTENCIA:** Mantenga las bolsas de plástico fuera del alcance de los niños, para evitar el peligro de asfixia.

Caja del pedestal	Caja del conjunto y de la extensión	Caja del módulo de graves B1 o B2
<p>Pedestal L1</p>  <p>Bolsa de transporte</p>  <p>Cable de alimentación de CA</p>  <p>Guía de instalación rápida</p>  <p>Guía del usuario</p>  <p>Tarjeta de registro del producto</p> 	<p>Conjunto superior y extensión inferior L1 modelo 1S</p> <p>Parte inferior</p>  <p>Superior</p>  <p>Bolsa de transporte</p> 	<p>Módulo de graves B1 o B2</p>  <p>Cubierta</p>  <p>Cable del módulo de graves (cuatro hilos)</p>  <p>Almohadillas de goma adhesivas (sólo para B2)</p>  <p>Guía del usuario del módulo de graves B1 o B2</p> 

## Colocar el sistema

El emplazamiento del pedestal en el lugar adecuado es un paso importante en la instalación de este producto.

Determinar la mejor ubicación para la actuación depende de varios aspectos:

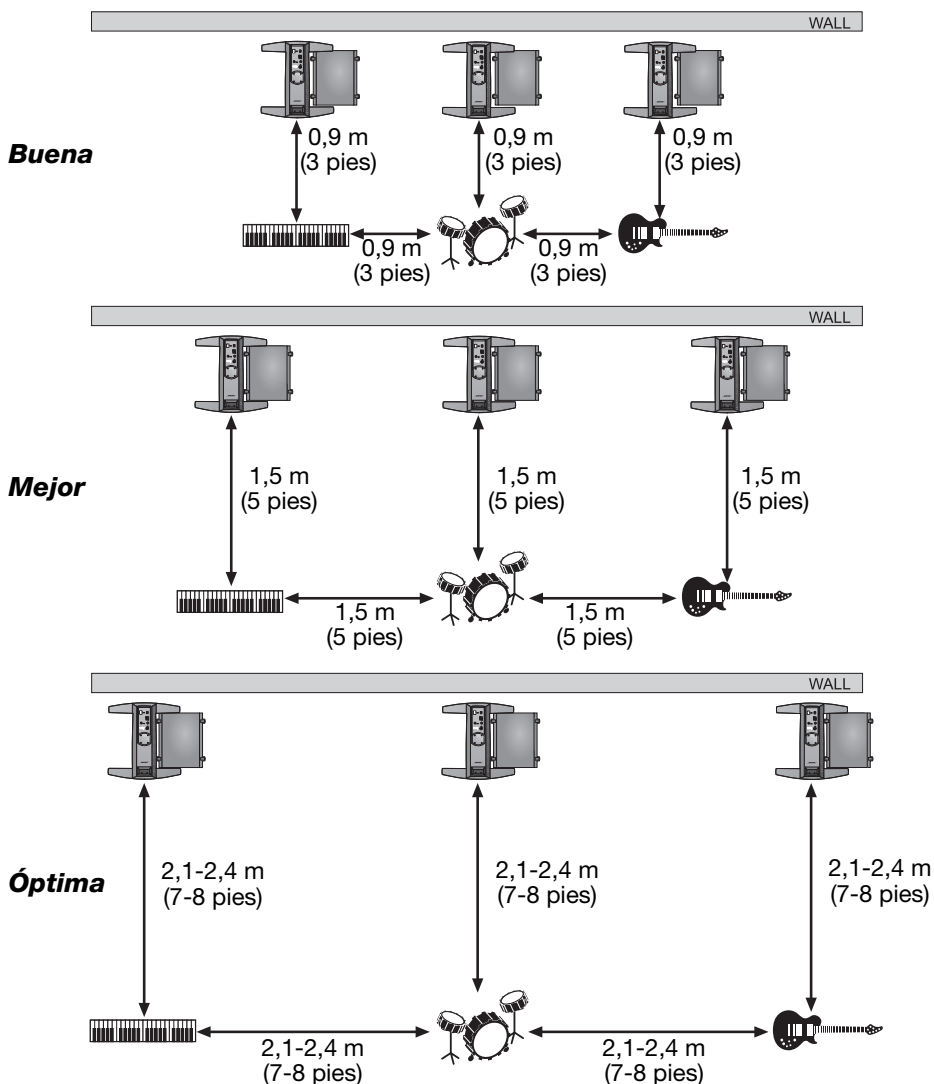
- El tamaño del escenario
- El número de artistas
- El sistema compartido (añadir un motor de audio T1 ToneMatch® y múltiples instrumentos)

Las siguientes directrices le ayudarán a realizar una instalación para un concierto o espectáculo.

- Instale el sistema en la parte de atrás del escenario donde se realizará la actuación.
- Si es posible, coloque el sistema detrás del artista o artistas.
- Si forma parte de un grupo musical, eviten colocarse muy juntos sobre el escenario. Deje cierta distancia (lo ideal sería entre 2,1 y 2,4 m) entre usted y el sistema L1® y otro artista. Esto permite que el sonido envuelva a los intérpretes y se refleje en las superficies adyacentes de la sala, lo que crea un sonido más agradable, que llena la sala.

**Figura 1**

Recomendaciones de ubicación

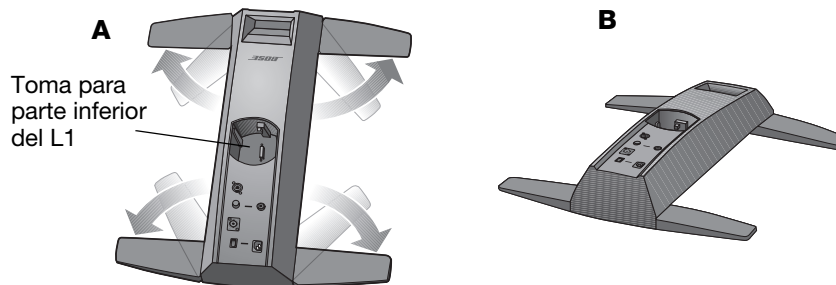


## Instalar el pedestal

1. Sostenga el pedestal en vertical sobre el suelo (Figura 2A) y sujete una pata y extiéndala todo lo que pueda. Observe que las otras patas se extenderán automáticamente. **Las patas deberán estar totalmente abiertas antes de que pueda conectar la extensión al pedestal.**
2. Coloque el pedestal en horizontal sobre el suelo en la posición deseada (Figura 2B).

**Figura 2**

Colocar el pedestal en el suelo



**⚠ ADVERTENCIA:** NO mueva el sistema completamente montado como una unidad, ya que podrían producirse daños personales o averías en el producto. Coloque el pedestal en el suelo en la ubicación elegida antes de montar el sistema.

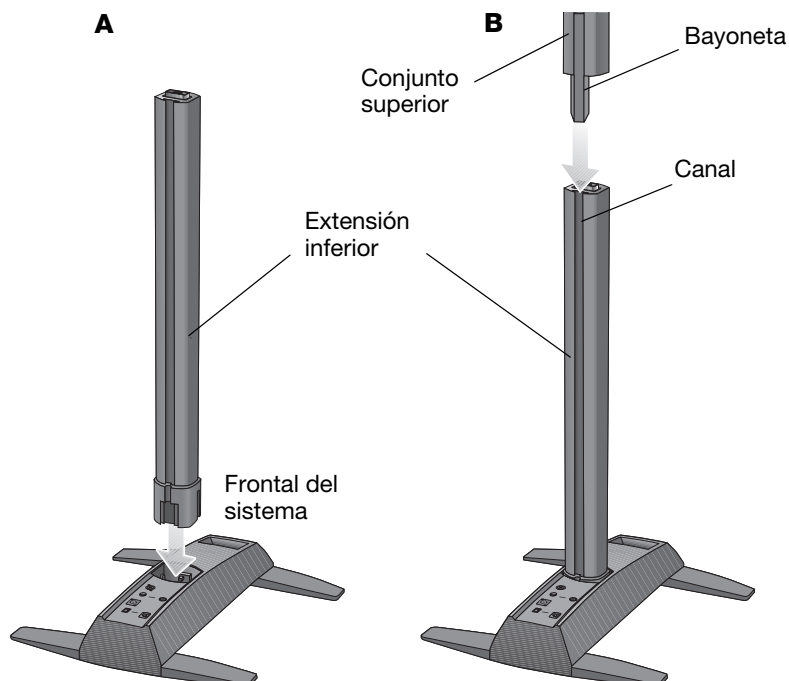
## Montar el sistema L1® modelo 1S

Este procedimiento le indica cómo instalar las secciones del altavoz en el pedestal. Si piensa montar el motor de audio T1 ToneMatch® en el sistema L1 modelo 1S, consulte "Añadir un motor de audio T1 ToneMatch® (opcional)" en la página 13 antes de instalar la sección superior del altavoz.

1. Sujete la extensión inferior de modo que la cubierta mire hacia delante y conéctela al pedestal (Figura 3A). Procure insertarla totalmente en el receptáculo para asegurar estabilidad y una buena conexión.
2. Alinee la bayoneta del conjunto superior con el canal situado al dorso de la parte inferior, y baje la parte superior sobre la inferior hasta que queden alineadas (Figura 3B).

**Figura 3**

Instalar el sistema

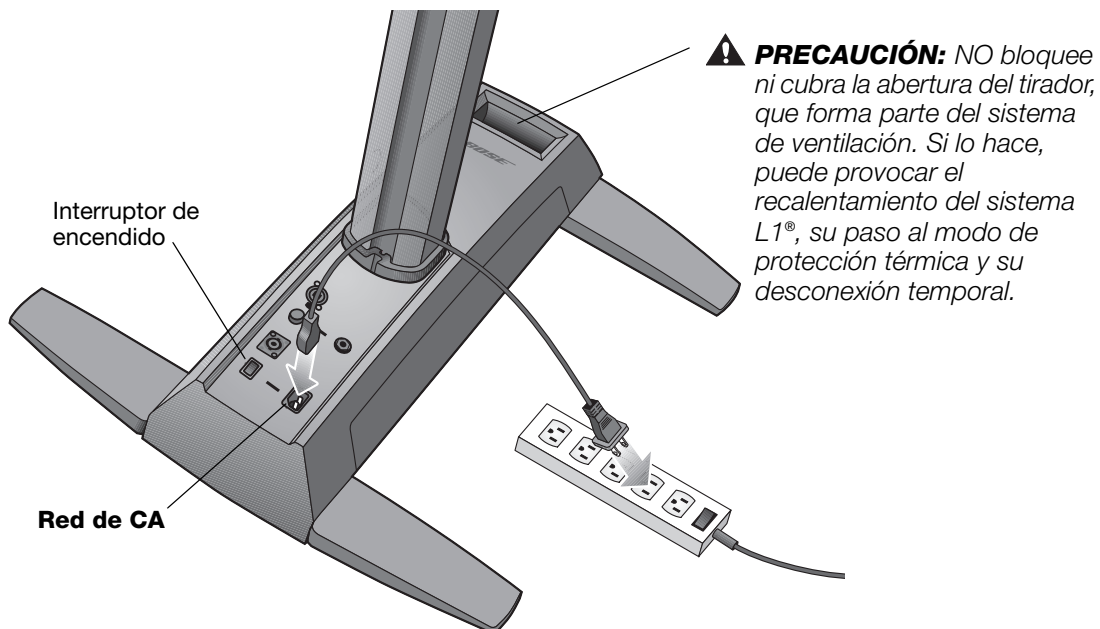


## Conectar a la alimentación de CA

1. Compruebe que el interruptor de alimentación se encuentra apagado.
2. Conecte un extremo del cable de alimentación de CA al conector **AC Mains** del pedestal.
3. Enchufe el otro extremo en una toma de red de CA (Figura 4).

**Figura 4**

Conexiones eléctricas



**⚠ PRECAUCIÓN:** Bose le recomienda utilizar supresores de sobretensiones de calidad en todos los equipos electrónicos. Las variaciones y picos de tensión pueden dañar los componentes electrónicos de cualquier sistema. Los supresores de calidad pueden evitar la inmensa mayoría de las averías atribuibles a las sobretensiones y pueden adquirirse en cualquier tienda de electrónica.

## Conectar el módulo de graves B1 o B2

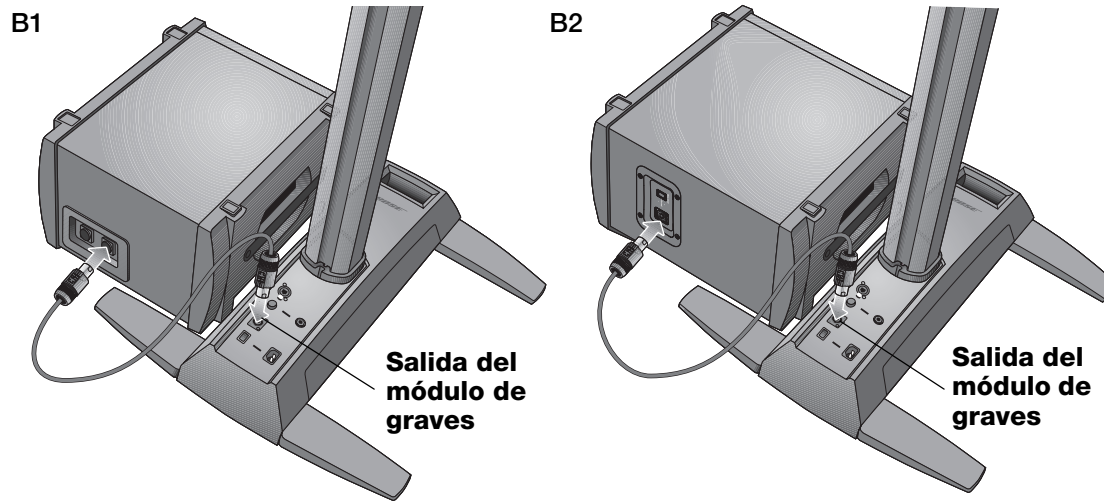
Puede ubicar el módulo de graves B1 o B2 en vertical o en horizontal sobre el suelo. Se ajusta perfectamente entre las patas del pedestal.

1. Conecte un extremo del cable del módulo de graves B1 o B2 a uno de los conectores de graves. Gire la clavija en el sentido de las agujas del reloj para asegurarla. Cuando quede bloqueada deberá oírse un “clic” suave.
2. Conecte el otro extremo del cable al conector de **salida del módulo de graves** del pedestal. Gire la clavija en el sentido de las agujas del reloj para asegurarla.

♪ **Nota:** Para desconectar un cable B1 o B2, desplace hacia atrás la lengüeta metálica de la clavija, gire la clavija en el sentido contrario al de las agujas del reloj y sáquela del conector.

**Figura 5**

Módulos de graves B1 y B2



### ⚠ PRECAUCIONES:

- NO conecte ningún módulo de graves distinto del B1 o del B2 al pedestal.
- NO CAMBIE el cable suministrado por un cable de altavoz de dos hilos. Utilice únicamente el cable de cuatro hilos del módulo de graves B1 suministrado para conectar el módulo de graves B1 al pedestal. El pedestal utiliza las señales de dos de los hilos para detectar automáticamente cuántos módulos de graves B1 o B2 están conectados.
- NO conecte un módulo de graves B1 o B2 a dos pedestales al mismo tiempo.



## Añadir un motor de audio T1 ToneMatch® (opcional)

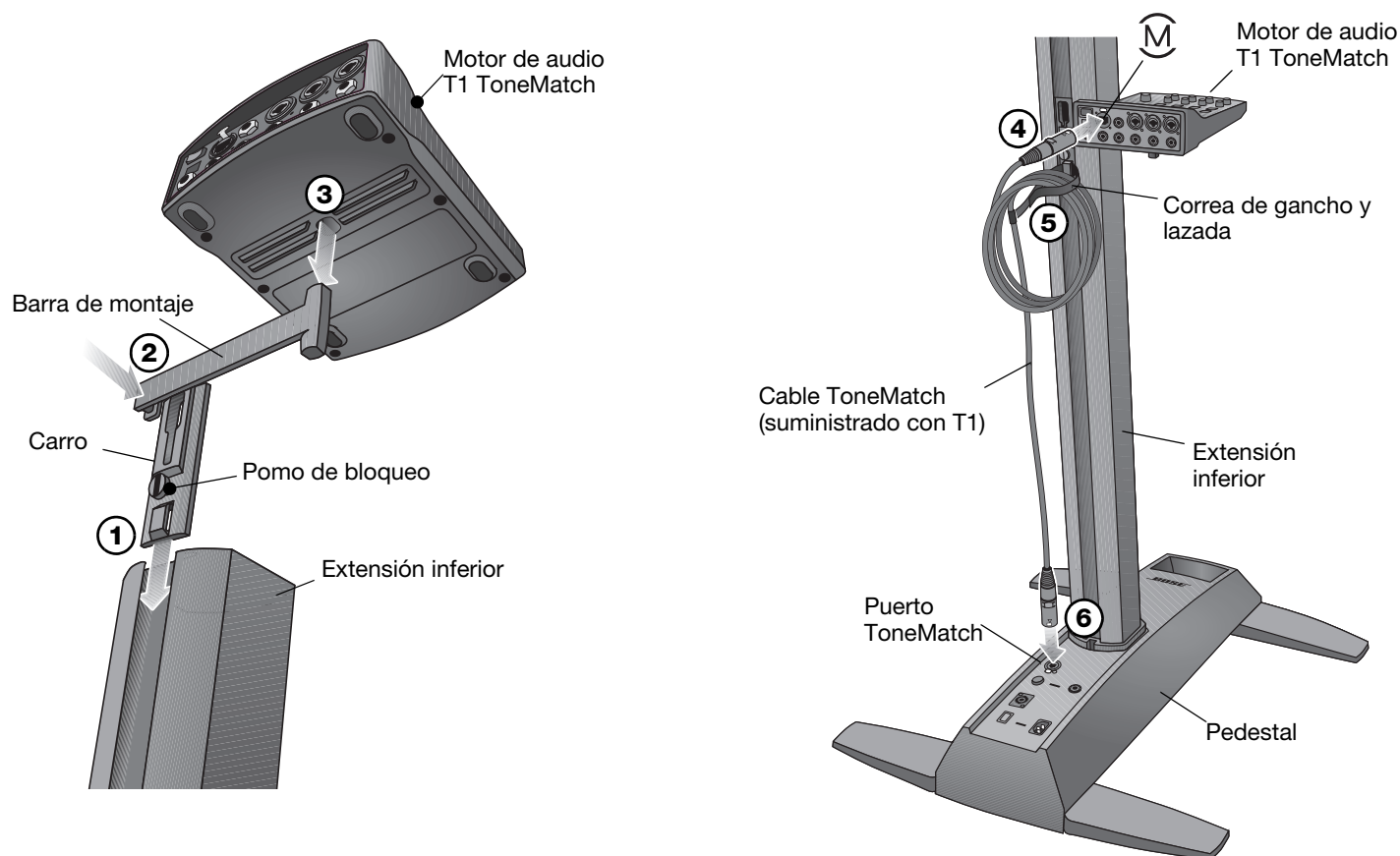
El motor de audio T1 ToneMatch® proporciona funciones de entrada/salida adicionales al sistema, además de procesamiento de señales digitales para personalizar el sonido. El motor de audio se incluye con hardware para montarlo en lado izquierdo o derecho de la extensión inferior.

🎵 **Nota:** El motor de audio se monta en la sección inferior del altavoz y requiere la extracción de la sección superior antes de comenzar este procedimiento.

1. Deslice el carro dentro del canal situado al dorso de la extensión inferior y gire el pomo en el sentido de las agujas del reloj para asegurarlo (Figura 6).
2. Inserte la barra de montaje en la ranura del carro y empújela hacia abajo.
3. Coloque el T1 en la barra de montaje tal como se indica.
4. Conecte un extremo del cable ToneMatch (suministrado con el motor de audio) al puerto de salida ToneMatch (M) del T1.
5. Empleando la correa de gancho y lazada, fije el cable al carro.
6. Conecte el otro extremo del cable al puerto ToneMatch del pedestal.

**Figura 6**

Montaje del T1



## Añadir un segundo módulo de graves B1 (opcional)

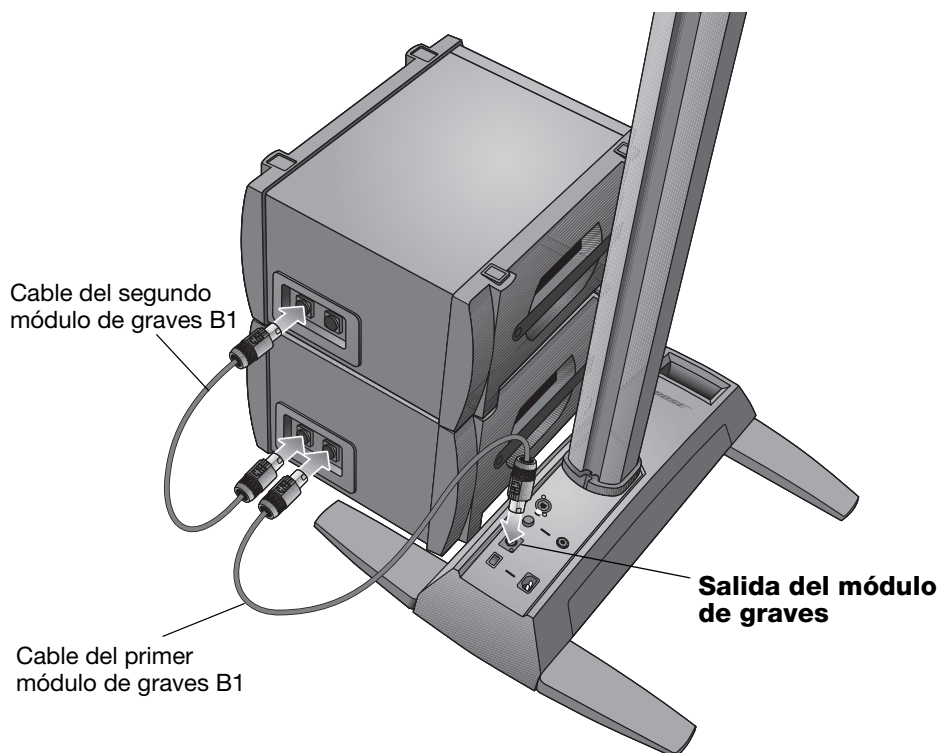
La salida del módulo de graves del pedestal puede suministrar alimentación a uno o dos módulos de graves B1. Cuando los módulos se colocan en horizontal, se pueden apilar (Figura 7).

**⚠ PRECAUCIÓN:** No conecte más de dos módulos de graves B1 al conector de **salida del módulo de graves** del pedestal. Si suministra alimentación a más de dos módulos de graves B1 desde esta salida, se sobrecargará el amplificador del pedestal y se verá afectado el rendimiento del sistema.

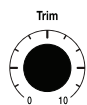
1. Conecte el primer B1 a la **salida del módulo de graves** del pedestal.
2. Conecte un extremo del segundo cable B1 al conector no utilizado del primer B1. Conecte el otro extremo del cable a uno de los conectores del segundo B1.

### Figura 7

Instalación de los dos módulos de graves B1



## Ajustar el nivel de entrada analógico



Cuando conecte una fuente de audio a **Analog Input**, siga estos pasos para ajustar el control **Trim** (regulación) de entrada.

1. Ajuste el control **Trim** en el pedestal en posición 0 (cero).
2. Conecte la fuente de audio a **Analog Input**.
3. Ajuste el volumen de la fuente de audio al nivel deseado.
4. Mientras se reproduce la fuente, aumente el nivel de **Trim** hasta que el indicador **Signal/Clip** se ilumine en verde o amarillo.
5. Si el indicador **Signal/Clip** se ilumina en rojo, reduzca el nivel de **Trim** hasta que se ilumine en verde o amarillo.

## Utilizar un motor de audio T1 ToneMatch® y una fuente de entrada analógica

El sistema L1® modelo 1S puede funcionar con un motor de audio T1 ToneMatch® y una fuente de audio analógica conectados al pedestal. Sin embargo, hay que tener en cuenta que el volumen del motor de audio y el de la fuente de audio analógica se ajustan por separado.

- El control **Trim** del pedestal sólo afecta al nivel de volumen de la fuente de audio analógica conectada a **Analog Input**. Por tanto, el indicador **Signal/Clip** sólo muestra el estado de la señal de entrada analógica.
- El motor de audio T1 ToneMatch tiene un control **Trim** y un indicador de señal/recorte para cada entrada, un control **Volume** para cada canal de salida y un control de volumen **Master** que ajusta el nivel de la salida de ToneMatch que llega al pedestal. Estos controles no tienen ningún efecto en la señal que recibe **Analog Input**.

## Opciones del usuario

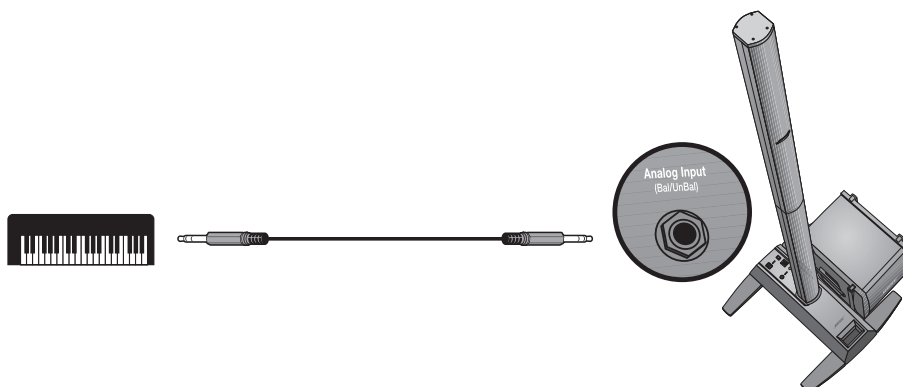
Existen muchas formas de configurar y utilizar este sistema con y sin el motor de audio T1 ToneMatch. En las páginas siguientes se ofrecen ejemplos de algunos escenarios típicos para el usuario. Cuando utilice el motor de audio T1 ToneMatch, consulte la información sobre configuración y funcionamiento que contiene la guía del usuario.

### Un solo músico

Un músico individual puede tocar un único instrumento a través del sistema L1 modelo 1S (Figura 1). Un músico individual también podría tocar un instrumento y utilizar un micrófono para la voz (Figura 2 en página 16).

**Figura 1**

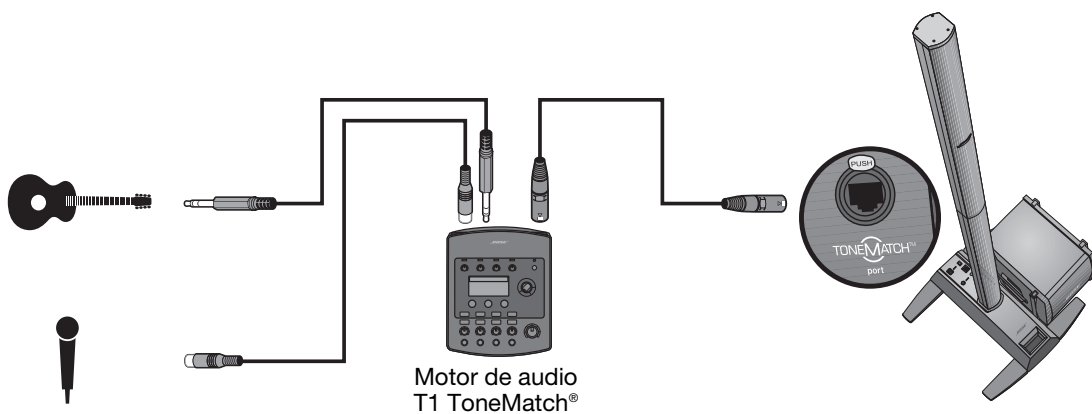
Sistema individual con teclado



## INFORMACIÓN OPERATIVA

**Figura 2**

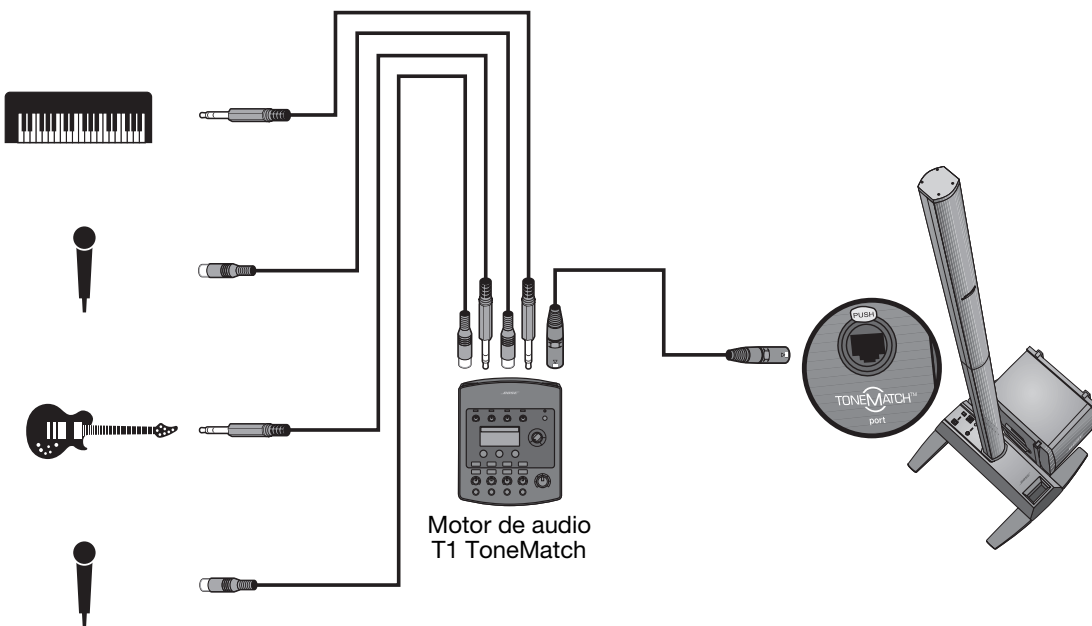
Sistema individual con guitarra y micrófono

**Varios músicos**

En este escenario, un dúo de teclado-guitarra canta y toca a través de un solo motor de audio T1 ToneMatch y un sistema L1®.

**Figura 3**

Sistema individual con varios instrumentos y motor de audio T1 ToneMatch

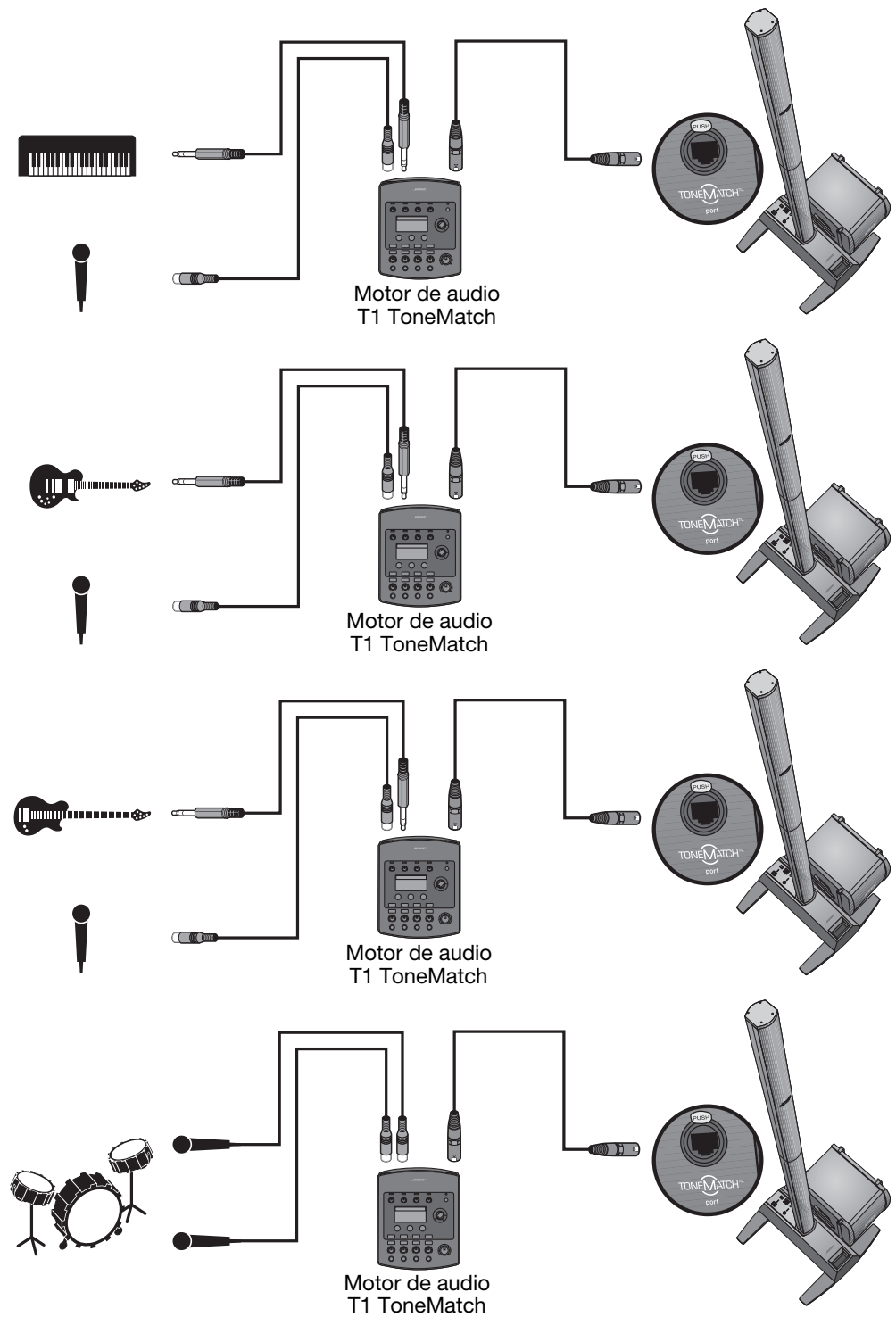


## Banda completa

Un escenario de banda completa se establece en torno a varios motores de audio T1 ToneMatch® y sistemas L1®. Cada músico toca y canta a través de un motor de audio T1 ToneMatch individual y un sistema L1.

### Figura 4

Varios sistemas, cada uno con un motor de audio T1 ToneMatch

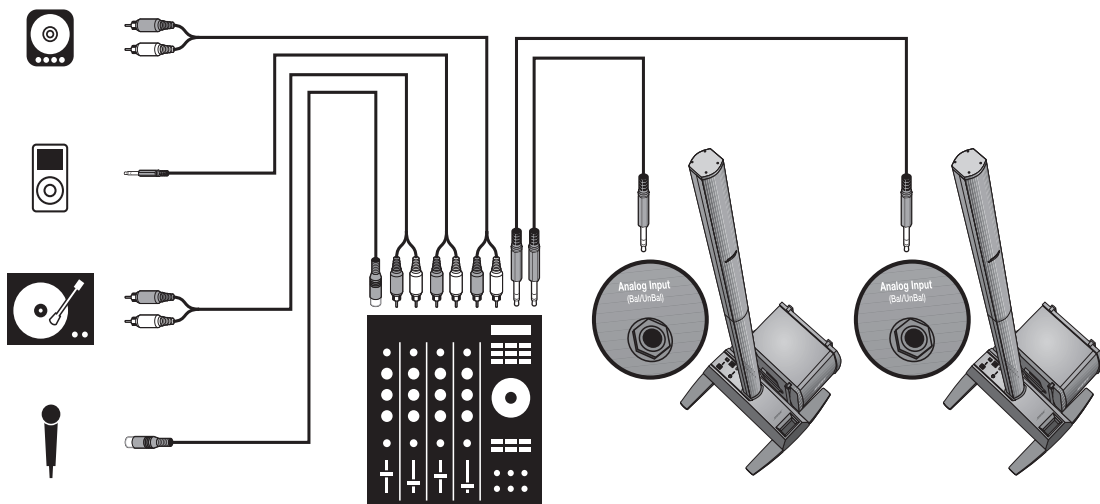


## Actuaciones de DJ

Los DJ utilizan muchos tipos de fuentes de entrada (reproductor de CD, plato, reproductor de MP3, etc.) conectadas a un mezclador. En este escenario, dos salidas del mezclador pueden introducirse en dos sistemas L1® para conseguir sonido estéreo.

### Figura 5

Dos sistemas,  
un mezclador y dispositivos  
de entrada



**Cuidado del producto****Limpieza**

- Limpie las superficies del producto empleando un paño suave y seco.
- No use disolventes, sustancias químicas ni detergentes que contengan alcohol, amoníaco o abrasivos.
- No use ningún aerosol cerca del producto ni permita la entrada de ningún líquido por abertura alguna.
- Si es necesario, puede aspirar con cuidado la rejilla del altavoz L1®

**Cómo solicitar servicio**

Para obtener ayuda adicional a la hora de resolver problemas, póngase en contacto con el Equipo de servicio técnico y atención al cliente de música en vivo de Bose® llamando al teléfono (877) 335-2673 o visite nuestra área de asistencia técnica en línea en [www.Bose.com/livesound](http://www.Bose.com/livesound).

**Resolución de problemas**

Si tiene algún problema al utilizar este producto, le sugerimos que pruebe las siguientes soluciones. Si no consigue solucionarlo, llame directamente al Equipo de servicio técnico y atención al cliente de música en vivo de Bose al (877) 335-2673 para solicitar asistencia.

**Herramientas recomendadas para la resolución de problemas**

- Voltímetro portátil
- Cables con terminación para teléfono XLR y de ¼"
- Comprobador de cables
- Cable de cuatro hilos del módulo de graves B1
- Comprobador de toma de CA
- Cable de alimentación de CA de repuesto

<b>Problema</b>	<b>Solución</b>
El sistema está enchufado, el interruptor de alimentación está encendido, pero el LED de encendido está apagado	<ul style="list-style-type: none"> <li>• Asegúrese de que hay corriente en la toma de CA. Intente enchufar una lámpara u otro equipo eléctrico en la misma toma o compruebe la toma con el probador de tomas de CA.</li> <li>• Asegúrese de que la clavija del cable de alimentación del pedestal está bien introducida en la toma de CA.</li> </ul>
El LED de alimentación está encendido (verde), pero no hay sonido	<ul style="list-style-type: none"> <li>• Asegúrese de que el control de volumen del instrumento musical está alto.</li> <li>• Compruebe que el control de <b>regulación</b> se encuentra en un nivel alto en el pedestal.</li> <li>• Compruebe que el instrumento está conectado en la <b>entrada analógica</b>.</li> <li>• Conecte el instrumento al pedestal con otro diferente.</li> <li>• Enchufe el instrumento en un amplificador diferente para asegurarse de que funciona correctamente.</li> </ul>
El LED de encendido está rojo cuando el pedestal está encendido	<ul style="list-style-type: none"> <li>• Llame al Equipo de atención al cliente de música en vivo de Bose al (877) 335-2673 para solicitar asistencia.</li> </ul>
El disyuntor del circuito doméstico salta continuamente	<ul style="list-style-type: none"> <li>• Si tiene más de un pedestal conectado al mismo circuito de CA, ajuste los tiempos de encendido para que no sean simultáneos. Cada pedestal tiene una corriente de irrupción de unos 32 amperios.</li> <li>• Si tiene más de tres pedestales enchufados en un único circuito de 15 amperios, desplace algunos sistemas a otro circuito de CA. Cada pedestal puede requerir 5 o más amperios cuando se reproduce sonido a volúmenes altos durante un cierto tiempo.</li> </ul>

## CUIDADO Y MANTENIMIENTO

<b>Problema</b>	<b>Solución</b>
A pesar de que no hay ningún equipo conectado al pedestal, se oye un ligero <i>pitido</i> o <i>zumbido</i> .	<ul style="list-style-type: none"> <li>• Con un comprobador de toma de CA, pruebe si en la toma de CA a la que se ha conectado el pedestal hay contactos invertidos o abiertos (bajo tensión, neutro y/o derivado a masa).</li> <li>• Si utiliza un cable alargador, asegúrese de que comprueba también el cable.</li> </ul>
El módulo de graves B1 o B2 está enchufado, pero no se oyen los graves	<ul style="list-style-type: none"> <li>• Compruebe que utiliza el cable del módulo de graves B1/B2 de cuatro hilos incluido.</li> <li>• Compruebe que el cable del módulo de graves B1 o B2 está enchufado al conector <b>Bass Module Out</b> y que el enchufe del cable está correctamente insertado en el conector.</li> <li>• Pruebe otro cable de cuatro hilos.</li> <li>• Si es posible, pruebe otro módulo de graves B1/B2.</li> </ul>
El módulo de graves B1 suena como si no estuviera balanceado con respecto al sistema	<ul style="list-style-type: none"> <li>• Asegúrese de que utiliza el cable de cuatro hilos del módulo de graves B1/B2 incluido con dicho módulo.</li> <li>• Asegúrese de que la rejilla del módulo de graves B1 o B2 está orientada hacia los músicos y el público.</li> </ul>
No se reproducen sonidos medios/altos en el conjunto superior L1®	<ul style="list-style-type: none"> <li>• Compruebe que el conjunto superior L1 y la extensión inferior se encuentran firmemente asentadas en sus conectores.</li> <li>• Asegúrese de que las conexiones no están dobladas ni rotas.</li> <li>• Intente limpiar los contactos de las partes superior e inferior del altavoz con un pulverizador de limpieza para aparatos electrónicos.</li> </ul>
El instrumento o la fuente de audio suenan distorsionados	<ul style="list-style-type: none"> <li>• Compruebe que el LED de señal/recorte no está rojo. Si lo está, baje el nivel de regulación.</li> <li>• Pruebe con otra fuente o instrumento.</li> <li>• Pruebe la fuente o el instrumento en otro pedestal.</li> </ul>
El micrófono recibe realimentación	<ul style="list-style-type: none"> <li>• Oriente el micrófono de forma que no apunte directamente al sistema L1 correspondiente.</li> <li>• Pruebe con otro micrófono.</li> <li>• Coloque el altavoz en otra posición y/o pida al vocalista que se coloque en otro lugar del escenario.</li> <li>• Aumente la distancia del altavoz al micrófono.</li> <li>• Si utiliza un procesador de efectos vocales, asegúrese de que no contribuye al problema de realimentación.</li> </ul>



## Garantía limitada y registro

Este producto está cubierto por una garantía limitada. Los detalles de la garantía se suministran con el producto. Registre sus productos en línea en [www.Bose.com/register](http://www.Bose.com/register) o llame al (800) 905-1044. No hacerlo no supondrá ningún perjuicio sobre los derechos derivados de la garantía.

## Accesorios

Visite [www.Bose.com/livesound](http://www.Bose.com/livesound) o llame al (800) 905-0886 para obtener más información sobre accesorios.

## Información técnica

### Datos mecánicos

<i>Vídeo por componentes</i>	<i>Dimensiones</i>	<i>Peso</i>
Pedestal:	12,8 x 26,2 x 69,2 cm (5 x 10 x 27 pulgadas) (alto x ancho x fondo)	10,7 kg (23,7 libras)
Conjunto superior:	111,0 x 9,0 x 10,5 cm (43½ x 3½ x 4 pulgadas) (alto x ancho x fondo)	7,4 kg (16,3 libras)
Extensión inferior:	100,6 x 10,6 x 10,5 cm (39,63 x 4,15 x 4,13 pulgadas) (alto x ancho x fondo)	3,8 kg (8,5 libras)
Módulo de graves B1:	38,0 x 26,0 x 45,0 cm (15 x 10¼ x 17¾ pulgadas) (alto x ancho x fondo)	11,4 kg (25,1 libras)
Módulo de graves B2:	59,4 x 33,8 x 48 cm (23,4 x 13,31 x 18,9 pulgadas) (alto x ancho x fondo)	20,41 kg (45 libras)

### Datos eléctricos

- Potencia nominal de CA:  
100-120 V ~ 50/60 Hz 500 W (EE UU/Canadá); 220-240 V ~ 50/60 Hz 500 W (Europa)
- Corriente máxima de irrupción:  
32 A a 120 V ~ 60 Hz (EE UU/Canadá); 61 A a 230 V ~ 50 Hz (Europa)

<i>Vídeo por componentes</i>	<i>Impedancia</i>
Altavoz L1® modelo 1S:	4 Ω
Módulo de graves B1:	8 Ω
Módulo de graves B2:	4 Ω

### Entrada y salida de audio



- Puerto T1 ToneMatch®: Conector Ethercon/RJ45 de salida CC/entrada de datos para un motor de audio T1 ToneMatch
- Entrada analógica: Canal de entrada de nivel de línea para conector telefónico TRS de ¼"
- Salida del módulo de graves: Salida Neutrik® NL4 para uno o dos módulos de graves B1



L1 y ToneMatch son marcas comerciales de Bose Corporation registradas en EE UU y otros países. Las restantes marcas comerciales pertenecen a sus propietarios correspondientes.



# INFORMATIONS RELATIVES À LA SÉCURITÉ






## ***Veuillez lire cette notice d'utilisation***

Prenez le temps de lire attentivement les instructions de cette notice d'utilisation. Elles vous seront précieuses pour installer et utiliser correctement votre système et vous aideront à tirer le meilleur parti de sa technologie. Conservez cette notice d'utilisation pour référence ultérieure.

-  **AVERTISSEMENT** : Afin de limiter les risques d'incendie ou d'électrocution, n'exposez pas l'appareil à la pluie ou à l'humidité.
-  **AVERTISSEMENT** : Afin de limiter les risques d'électrocution, ne démontez pas ce système à moins de disposer des qualifications requises. Adressez-vous à un réparateur qualifié.

	<b>AVIS</b> RISQUE DE CHOC ÉLECTRIQUE NE PAS OUVRIR	
ATTENTION : POUR RÉDUIRE LE RISQUE DE DÉCHARGE ÉLECTRIQUE, NE RETIREZ PAS LE COUVERCLE (OU L'ARRIÈRE). IL NE SE TROUVE À L'INTÉRIEUR AUCUNE PIÈCE POUVANT ÊTRE RÉPARÉE PAR L'USAGER. S'ADRESSER À UN RÉPARATEUR COMPÉTENT.		

-  Le symbole représentant un éclair avec une flèche à l'intérieur d'un triangle équilatéral est utilisé pour prévenir l'utilisateur de la présence d'une tension électrique dangereuse non isolée à l'intérieur de l'appareil. Cette tension est d'un niveau suffisamment élevé pour représenter un risque d'électrocution.
-  Le symbole représentant un point d'exclamation à l'intérieur d'un triangle équilatéral, tel qu'il figure sur le système, signale à l'utilisateur la présence d'instructions importantes relatives au fonctionnement et à l'entretien de l'appareil dans cette notice d'installation.

-  **ATTENTION** : Cet appareil doit être connecté à une prise électrique dotée d'une mise à la terre.
-  **ATTENTION** : N'apportez aucune modification au système ou aux accessoires. Toute modification non autorisée peut compromettre votre sécurité, le respect des réglementations et les performances.
-  **ATTENTION** : Ne placez jamais d'objets enflammés, tels que des bougies allumées, sur l'appareil.
-  **ATTENTION** : Lorsque la fiche d'alimentation ou la prise multiple est utilisée comme dispositif de débranchement de l'appareil, elle doit rester facilement accessible.
-  **Remarque** : Ce produit doit être utilisé à l'intérieur. Il n'a pas été conçu ni testé pour une utilisation en extérieur, dans des véhicules ou sur des bateaux.

 Ce produit est conforme à toutes les directives de la Communauté Européenne qui s'y appliquent. L'attestation complète de conformité est disponible à l'adresse [www.bose.com/compliance](http://www.bose.com/compliance).

### **Renseignements à conserver**


Il est recommandé de noter dès maintenant les numéros de série de vos composants, ici et sur votre carte d'enregistrement. Vous pouvez enregistrer votre produit sur le Web, à la page [www.bose.com/register](http://www.bose.com/register), ou par téléphone en appelant le (800) 905-1044 (USA et Canada uniquement). En cas d'oubli, les droits que vous confère cette garantie limitée ne s'en trouveront pas affectés.

Socle amplificateur L1® modèle 1S : \_\_\_\_\_

Array supérieure et extension inférieure : \_\_\_\_\_

Module de basses B1 ou B2 : \_\_\_\_\_

# INSTRUCTIONS IMPORTANTES RELATIVES À LA SÉCURITÉ

1. Veuillez lire ces instructions.
  2. Veuillez conserver ces instructions.
  3. Respectez tous les avertissements.
  4. Suivez toutes les instructions.
  5. **N'utilisez pas cet appareil à proximité d'eau ou d'une source d'humidité.**
  6. **Utilisez uniquement un chiffon sec pour le nettoyage.**
  7. **Ne bloquez jamais les orifices d'aération. Suivez les instructions du fabricant pour l'installation.**
  8. **N'installez pas cet appareil à proximité d'une quelconque source de chaleur, telle qu'un radiateur, une arrivée d'air chaud, un four ou tout autre appareil (notamment des amplificateurs) produisant de la chaleur.**
  9. **Veillez à profiter de la sécurité offerte par les fiches de type terre ou polarisées. Les fiches polarisées sont équipées de deux bornes de largeurs différentes. Les fiches de type terre sont équipées de deux bornes et d'un orifice pour la mise à la terre. Ces deux types de dispositifs ont pour but d'assurer votre sécurité. Si la fiche fournie ne s'adapte pas à votre prise de courant, consultez un électricien pour qu'il remplace cette prise obsolète.**
  10. **Protégez le cordon d'alimentation contre les risques de piétinement ou de pincement, notamment au niveau des fiches, des prises de courant et des branchements à l'appareil.**
  11. **Utilisez uniquement les accessoires spécifiés par le fabricant.**
  12. **Utilisez uniquement le chariot, le support, le trépied, l'équerre ou la table spécifié(e) par le fabricant ou vendu(e) avec l'appareil. Si vous utilisez un chariot, faites attention à ne pas faire basculer l'ensemble chariot/appareil.**
- 
13. **Débranchez cet appareil pendant les orages ou au cours des longues périodes de non utilisation.**
  14. **Confiez toute réparation à du personnel qualifié. Une réparation est nécessaire lorsque l'appareil a été endommagé de quelque façon que ce soit (endommagement du cordon d'alimentation ou de la fiche électrique, renversement d'un liquide ou de tout objet sur l'appareil, exposition de l'appareil à la pluie ou à l'humidité, mauvais fonctionnement, chute de l'appareil, etc.).**
  15. **Pour éviter tout risque d'incendie ou d'électrocution, ne surchargez pas les prises murales, les rallonges ou les prises multiples.**
  16. **Ne laissez jamais d'eau ou d'objets pénétrer à l'intérieur du produit** : des éléments sous tension pourraient être touchés ou il pourrait se produire un court-circuit susceptible d'entraîner un incendie ou un risque d'électrocution.
  17. **Consultez les marquages de sécurité sous le boîtier du produit.**
  18. **Utilisez des sources d'alimentation appropriées** – Branchez le produit sur une source d'alimentation appropriée, comme indiqué dans les instructions relatives au fonctionnement ou signalé sur le produit.
  19. **Protégez l'appareil de tout risque de ruissellement ou d'éclaboussure. Ne placez pas d'objets contenant des liquides, tels que des vases, sur l'appareil.**

## Informations sur les produits générateurs de bruit électrique

Remarque : ce matériel a fait l'objet de tests prouvant sa conformité aux limites imposées aux appareils numériques de classe A, conformément à la partie 15 des réglementations de la FCC. Ces limites sont conçues pour offrir une protection raisonnable contre les interférences nuisibles lorsque l'appareil est utilisé en environnement commercial. Ce matériel génère, utilise et est susceptible d'émettre de l'énergie à fréquence radio. À ce titre, s'il n'est pas installé ou utilisé conformément aux instructions, il est susceptible de perturber les communications radio. L'utilisation de cet équipement dans une zone résidentielle risque de provoquer des interférences nuisibles, auquel cas l'utilisateur devra remédier au problème à ses propres frais.

Toute modification non autorisée expressément par Bose Corporation est susceptible d'annuler le droit de l'utilisateur à mettre en œuvre celui-ci.

Ce produit de classe A est conforme aux spécifications de la réglementation ICES-003 du Canada.

Courant d'appel à la mise sous tension : 32 A

Courant d'appel après une coupure d'alimentation de 5 secondes : 32 A

Ce produit répond aux critères d'immunité des directives EN55103-2 pour les appareils de classe E2.

<b>INTRODUCTION</b>	<b>5</b>
Bienvenue .....	5
Caractéristiques et avantages .....	5
Présentation .....	6
Connexions et réglages .....	7
<b>CONFIGURATION DU SYSTÈME</b>	<b>8</b>
Nomenclature .....	8
Positionnement de votre système .....	9
Installation du socle amplificateur .....	10
Assemblage du système L1® modèle 1S .....	10
Connexion au secteur .....	11
Connexion du module de basses B1 ou B2 .....	12
Ajout d'un moteur audio T1 ToneMatch® (facultatif) .....	13
Ajout d'un second module de basses B1 (facultatif) .....	14
<b>INFORMATIONS D'UTILISATION</b>	<b>15</b>
Réglage du niveau d'entrée analogique .....	15
Utilisation d'un moteur audio T1 ToneMatch® et d'une source audio analogique .....	15
Exemples d'utilisation .....	15
Musicien seul .....	15
Plusieurs musiciens .....	16
Orchestre .....	17
Disc Jockey .....	18
<b>ENTRETIEN</b>	<b>19</b>
Entretien du produit .....	19
Nettoyage .....	19
Service après-vente .....	19
Résolution des problèmes .....	19
Garantie limitée et enregistrement .....	21
Accessoires .....	21
Informations techniques .....	21
Spécifications mécaniques .....	21
Spécifications électriques .....	21
Entrées et sorties audio .....	21

# INTRODUCTION

---

## **Bienvenue**

Merci d'avoir choisi le système Bose® L1® modèle 1S avec connecteur pour port ToneMatch®. Ce système est le fruit d'une nouvelle technologie révolutionnaire et permet de bénéficier de la qualité d'un concert acoustique intimiste tout en profitant des performances de l'amplification.

Cette notice technique contient les instructions d'installation, de connexion et d'utilisation de votre système L1.

Pour plus d'informations sur l'utilisation de ce système (conseils, techniques et questions fréquentes), visitez le site Internet [www.bose.com/livesound](http://www.bose.com/livesound).

## **Caractéristiques et avantages**

- **Vous contrôlez le son** : comme lors d'un concert non amplifié, vous seul contrôlez le son. Vous n'avez plus de doutes sur la qualité du son perçu par les autres musiciens ou par vos auditeurs, car vous entendez ce qu'ils entendent.
- **Installation simple et rapide** : le système L1 est facile à transporter et peut être installé en quelques minutes, et non en plusieurs heures. Vous êtes enfin libéré des efforts longs, épuisants et frustrants requis pour installer correctement des équipements sonores conventionnels.
- **Amélioration considérable des performances** : les performances et le plaisir s'accroissent considérablement, car vous n'avez plus à vous démener pour vous entendre ou entendre les autres musiciens.
- **Une source de plaisir et d'émotion** : l'amélioration des performances des musiciens suscite le plaisir et l'émotion que recherchent les mélomanes.
- **Vous entendez ce que le public entend** : pour la première fois, les musiciens entendent ce qu'entend leur public et ne risquent plus de jouer à des niveaux sonores désagréables.
- **La musique est naturellement dynamique** : il est désormais possible d'entendre et d'apprécier les passages les plus doux comme les parties les plus intenses.
- **Un meilleur aspect visuel** : il y a moins de matériel sur scène et davantage d'espace.
- **Une reproduction acoustique inégalée** : selon le public, la clarté et le plaisir qui se dégagent de la reproduction fidèle du son de chaque instrument et du respect de la position de chacun d'eux sur la scène (contrairement au mixage mono ou même stéréo de tous les instruments) est sans commune mesure avec les performances amplifiées qu'ils ont eu l'occasion d'écouter auparavant.

## Présentation

Le système L1® modèle 1S avec port pour ToneMatch® est composé du socle amplificateur, de l'extension inférieure, de l'array supérieure et d'un module de graves B1 ou B2. Un sac de transport rembourré accueille tous les éléments du système L1.

Pour améliorer plus encore les performances du système, vous pouvez lui ajouter :

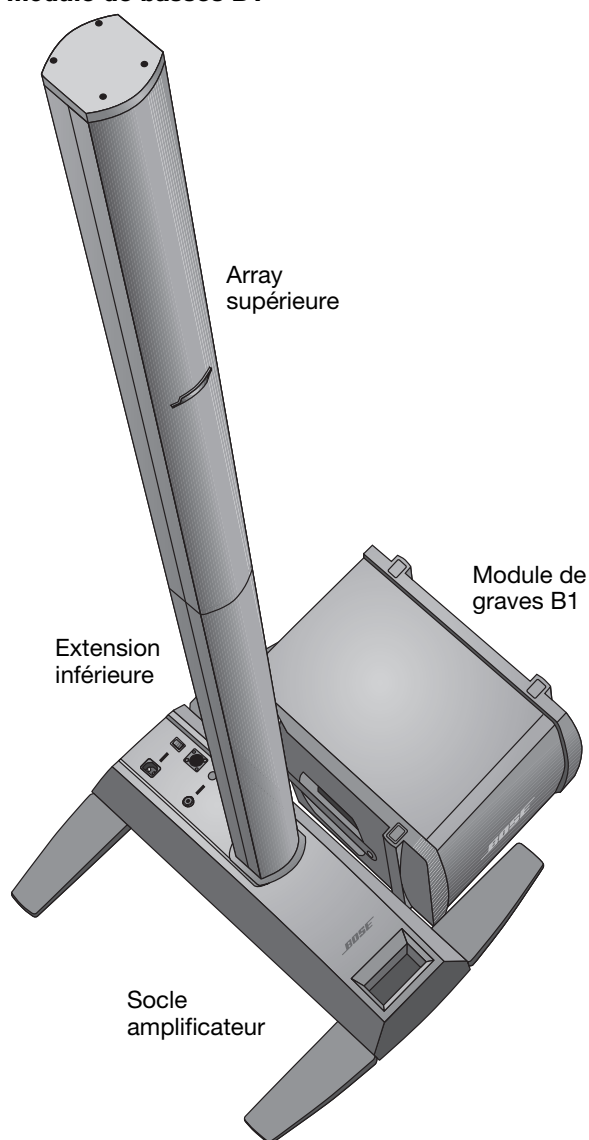
- Un second module de graves B1 pour une guitare basse, une grosse caisse ou un orgue. Chaque socle amplificateur peut alimenter jusqu'à deux modules de graves B1.
- Un moteur audio T1 ToneMatch pour traitement numérique du signal, et apportant des entrées supplémentaires et une interface utilisateur.

Vous trouverez une liste complète des équipements et accessoires complémentaires sur le site Web [www.bose.com/livesound](http://www.bose.com/livesound).

### Figure 1

Système L1 modèle 1S et équipement facultatif

#### Système L1 modèle 1S avec connecteur ToneMatch et module de basses B1



#### Équipements optionnels

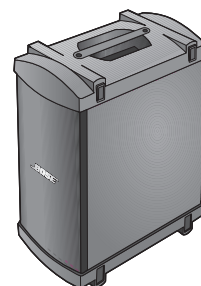
Moteur audio  
T1 ToneMatch



Module de graves  
B1 supplémentaire



Module de  
basses B2

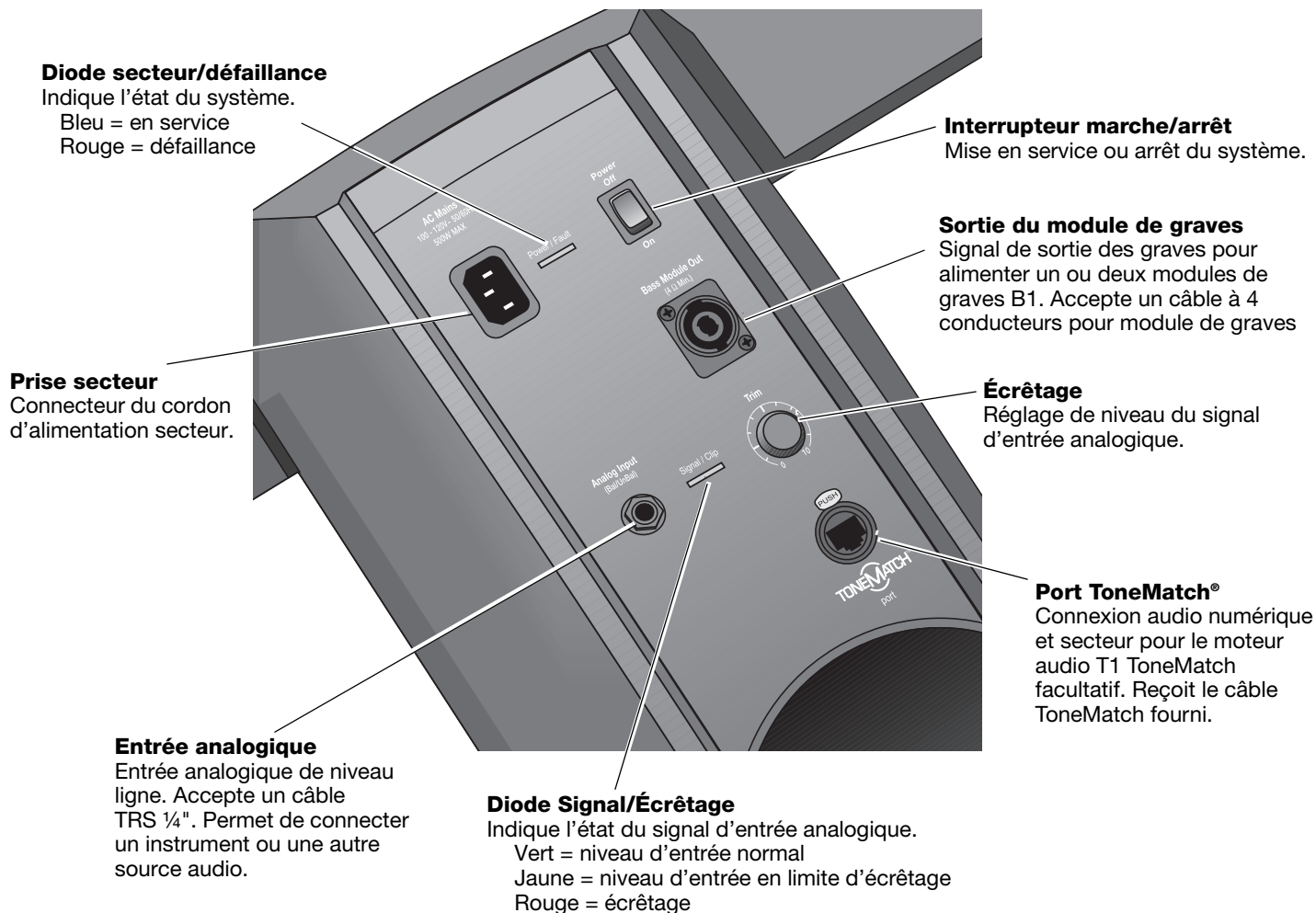


## Connexions et réglages

Les connecteurs et les commandes sont situés sur le panneau supérieur du socle amplificateur (Figure 2).

**Figure 2**

*Panneau supérieur du socle amplificateur*

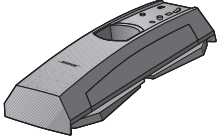
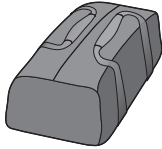


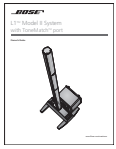

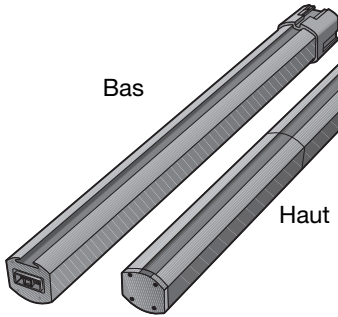
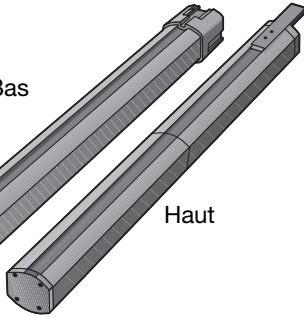
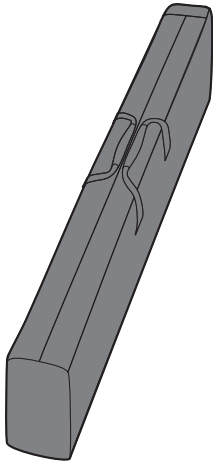


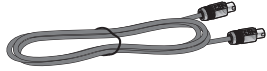




# CONFIGURATION DU SYSTÈME

## Nomenclature

Le système L1® est fourni dans trois cartons. Déballez les éléments avec précaution et vérifiez la présence de tous les composants indiqués sur cette page.

**AVERTISSEMENT :** Pour éviter tout risque d'étouffement, gardez les sacs plastiques hors de portée des enfants.

Carton du socle amplificateur	Carton de l'arrêt et de l'extension	Carton du module de basses B1 ou B2
<p>Socle amplificateur L1</p>  <p>Sac de transport</p>  <p>cordon d'alimentation</p>  <p>Guide d'installation rapide</p>  <p>Notice d'utilisation</p>  <p>Carte d'enregistrement</p> 	<p>Array supérieure et extension inférieure de l'enceinte L1 modèle S</p> <p>Bas</p>  <p>Haut</p>  <p>Sac de transport</p> 	<p>Module de basses B1 ou B2</p>  <p>Capot</p>  <p>Câble pour module de basses (4 fils)</p>  <p>Pieds en caoutchouc (pour B2 uniquement)</p>  <p>Notice d'utilisation du module de basses B1 ou B2</p> 



## Positionnement de votre système

Le positionnement du socle amplificateur est une phase importante de l'installation de ce produit.

L'identification du meilleur emplacement dépend de plusieurs paramètres :

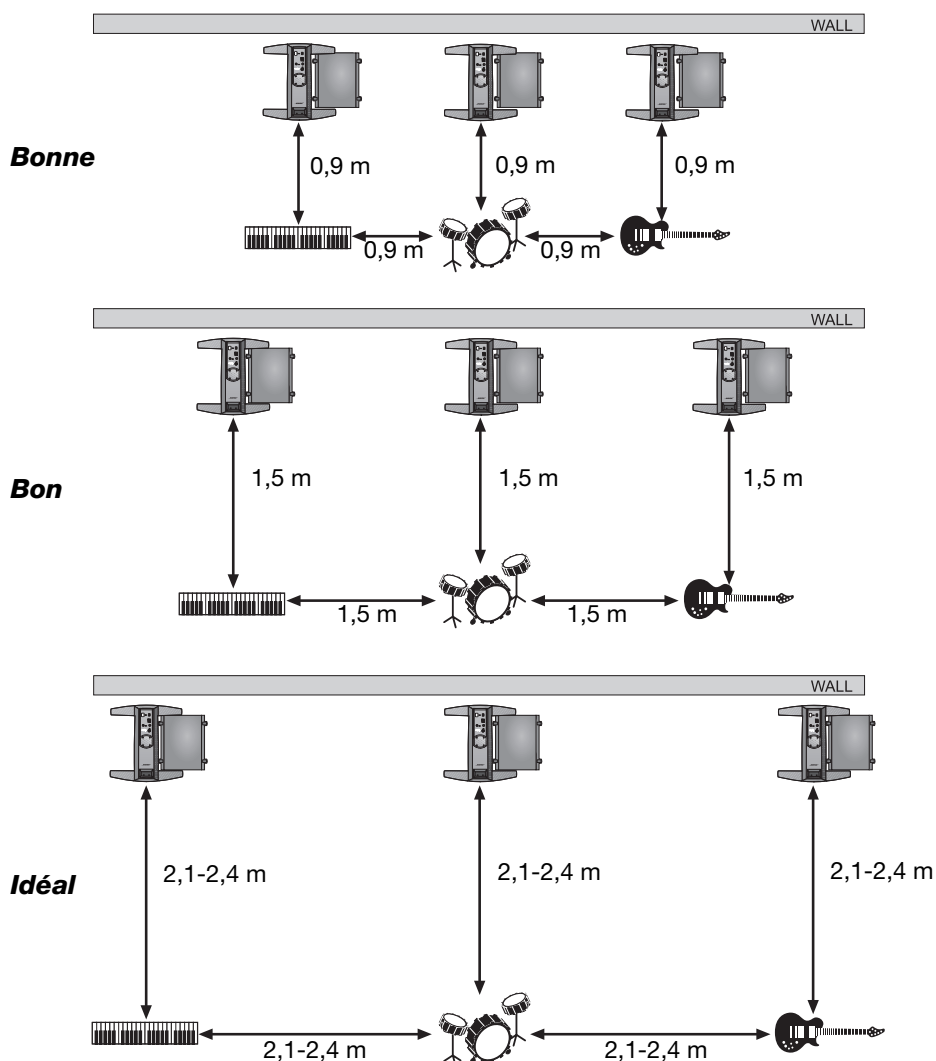
- la taille de la scène,
- le nombre de musiciens,
- les systèmes partagés (ajout d'un moteur audio T1 ToneMatch® et de plusieurs instruments).

Les instructions suivantes vous permettront de commencer l'installation en vue d'un concert ou d'un spectacle.

- Installez le système dans le volume arrière de la scène.
- Si possible, placez le système derrière le ou les musiciens.
- Si vous êtes membre d'un groupe, évitez de vous serrer sur la scène. Laissez une certaine distance (idéalement de 2,1 à 2,4 mètres) entre le système L1® et vous ou tout autre musicien. De cette façon, le son entoure les musiciens et se réfléchit sur les surfaces adjacentes de la salle, créant un son panoramique qui envahit toute la pièce et suscite un plus grand plaisir d'écoute.

**Figure 1**

Conseils de positionnement

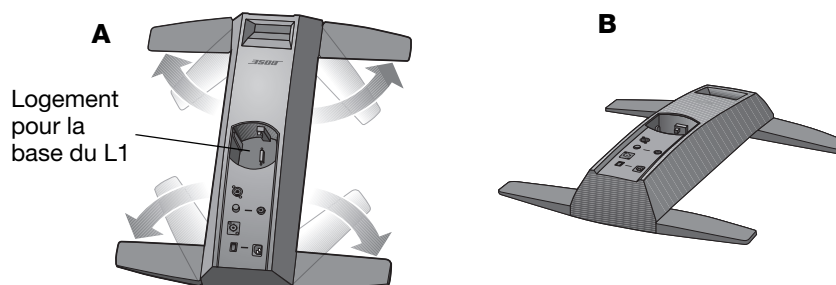


## Installation du socle amplificateur

1. Tout en maintenant le socle amplificateur verticalement au sol (Figure 2A), saisissez l'un des pieds et écartez-le le plus possible. Les autres pieds se déplient automatiquement. **Les pieds doivent être entièrement déployés pour qu'il soit possible d'emboîter l'extension dans le socle amplificateur.**
2. Posez le socle amplificateur à plat sur le sol dans la position désirée (Figure 2B).

**Figure 2**

Pose du socle amplificateur sur le sol



**AVERTISSEMENT :** NE DÉPLACEZ JAMAIS le système entièrement assemblé. Vous pourriez vous blesser ou endommager le produit. Positionnez le socle amplificateur sur le sol à l'emplacement choisi avant d'assembler le système.

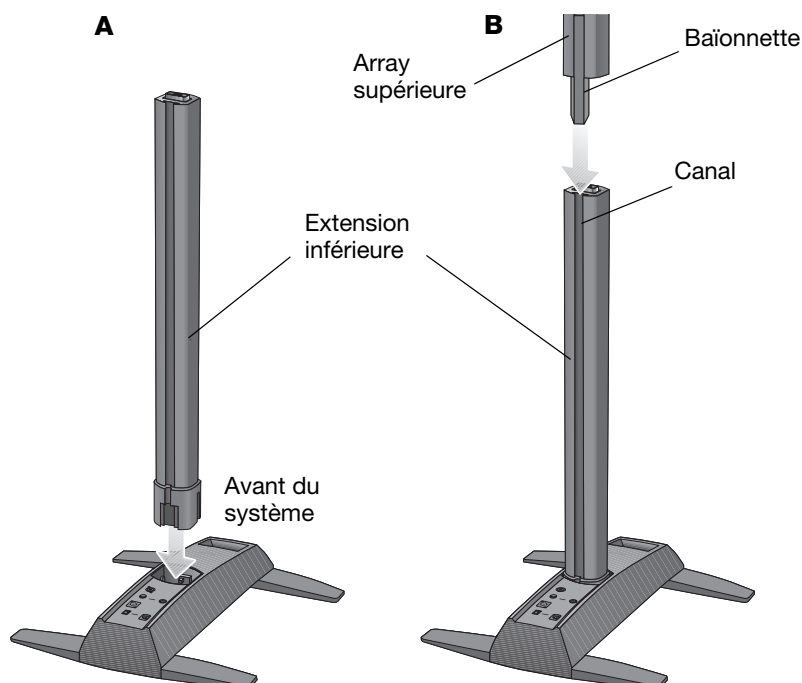
## Assemblage du système L1® modèle 1S

Cette procédure décrit l'installation des sections de l'enceinte dans le socle amplificateur. Pour monter le moteur audio T1 ToneMatch® sur le système L1 modèle 1S, voir « Ajout d'un moteur audio T1 ToneMatch® (facultatif) » à la page 13 avant d'installer la section supérieure de l'enceinte.

1. Présentez l'extension inférieure avec le capot orienté vers l'avant et emboîtez-la dans le socle amplificateur (Figure 3A). Veillez à l'insérer en entier dans le logement pour assurer sa stabilité et la qualité de la connexion.
2. Alignez la baïonnette de l'array supérieure sur la cannelure à l'arrière de la base, et abaissez l'array sur la partie inférieure pour l'emboîter (Figure 3B).

**Figure 3**

Installation du système

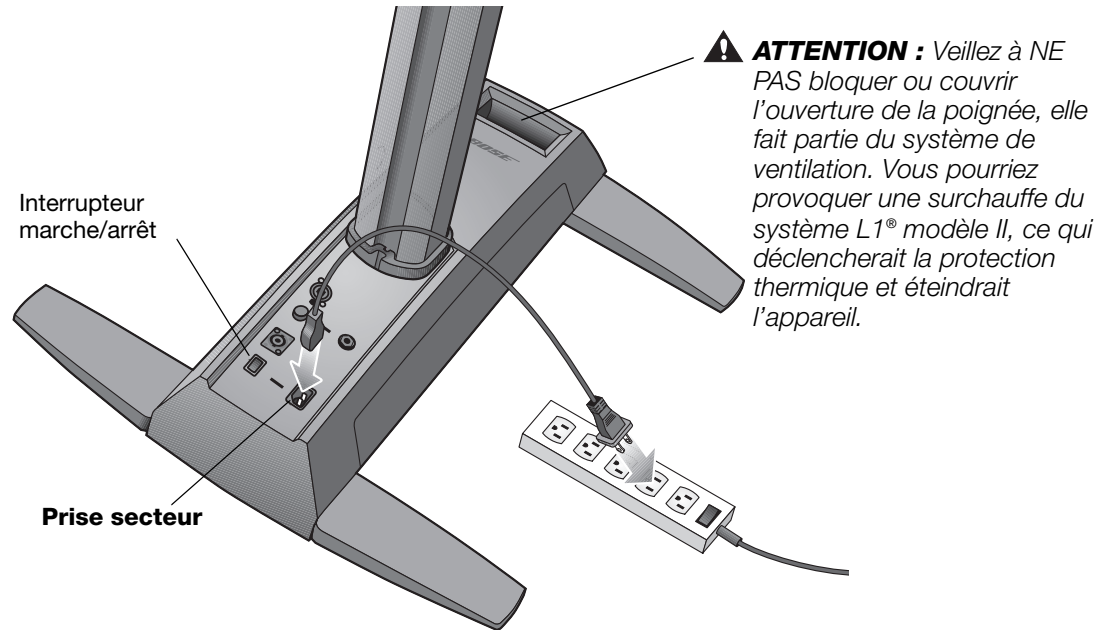


## Connexion au secteur

1. Vérifiez que le commutateur de mise sous tension est en position coupée (OFF).
2. Connectez le cordon d'alimentation à la prise **AC Mains** du socle amplificateur.
3. Branchez l'autre extrémité à une prise secteur (Figure 4).

**Figure 4**

Connexions secteur



**⚠ ATTENTION :** Bose recommande de protéger tous les équipements électroniques par un dispositif de protection contre les surtensions. Les variations de tension et les surcharges transitoires peuvent endommager les composants de n'importe quel système. Des dispositifs de protection contre les surtensions sont disponibles dans les magasins spécialisés en électronique.

## Connexion du module de basses B1 ou B2

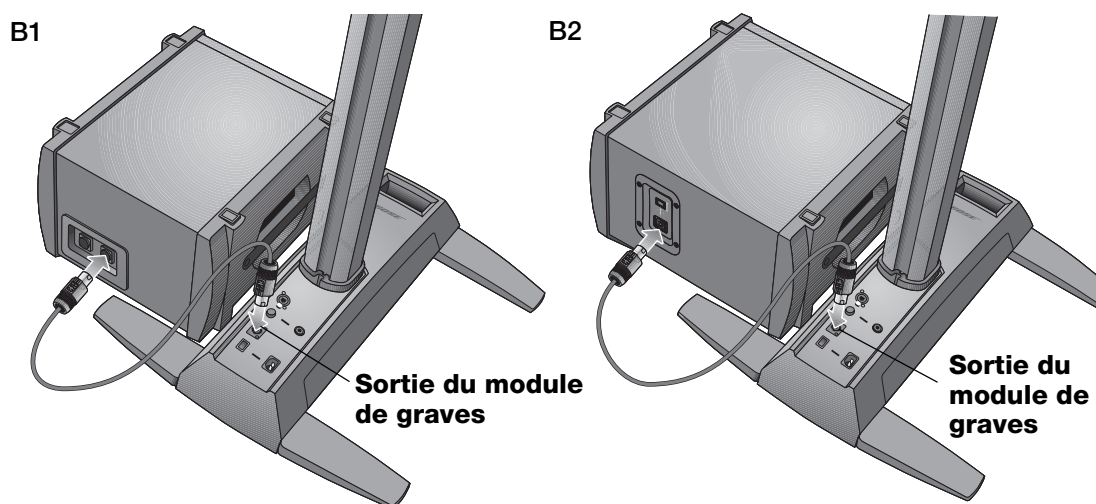
Le module de graves B1 ou B2 peut être placé sur le sol verticalement ou horizontalement. Il s'adapte entre les pieds du socle amplificateur.

1. Branchez une extrémité du câble du module de basses B1 ou B2 dans l'un des connecteurs de basses. Verrouillez la fiche en la faisant tourner dans le sens horaire. Vous devez entendre un déclic.
2. Insérez l'autre extrémité du câble dans le connecteur **Bass Module Out** du socle amplificateur. Verrouillez la fiche en la faisant tourner dans le sens horaire.

♪ **Remarque :** Pour déconnecter un câble B1 ou B2, faites glisser vers l'arrière le poussoir en métal situé sur le corps de la fiche, faites tourner celle-ci dans le sens inverse des aiguilles d'une montre et retirez-la du connecteur.

**Figure 5**

Modules de basses B1 et B2



### ⚠ ATTENTION

- NE PAS connecter au socle amplificateur un module de basses autre que le module B1 ou B2.
- NE PAS remplacer le câble fourni par un câble d'enceinte à 2 fils. Utiliser uniquement le câble à quatre broches pour module de basses B1 fourni pour connecter le module B1 au socle amplificateur. Le socle amplificateur utilise les signaux transmis par deux des quatre fils du câble pour détecter automatiquement le nombre de modules de basses B1 ou B2 connectés.
- NE PAS connecter un module de basses B1 ou B2 à deux socles amplificateurs en même temps.

## Ajout d'un moteur audio T1 ToneMatch® (facultatif)

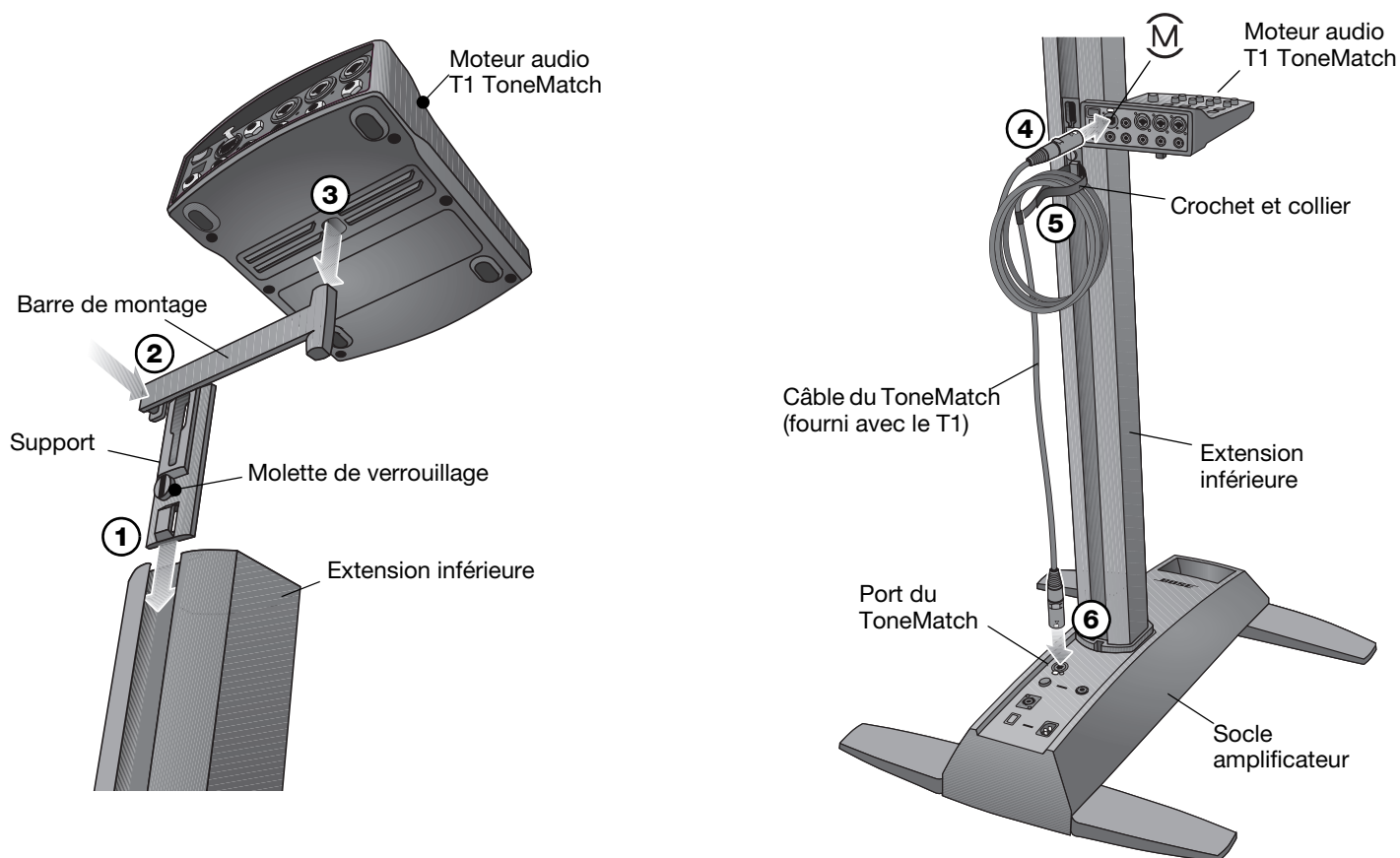
Le moteur audio T1 ToneMatch® offre des capacités d'entrées/sorties supplémentaires et son traitement numérique du signal permet de modifier le son produit. Le moteur audio est fourni avec des accessoires de montage pour l'adapter du côté gauche ou droit de l'extension inférieure.

♪ **Remarque :** Il se monte sur la section inférieure de l'enceinte, ce qui nécessite une dépose préalable de la section supérieure.

1. Faites glisser le support dans la glissière à l'arrière de l'extension inférieure et tournez le bouton dans le sens des aiguilles d'une montre pour verrouiller le support (Figure 6).
2. Insérez la barre de montage dans son logement dans le support et poussez-la vers le bas.
3. Placez le T1 sur la barre de montage comme sur l'illustration.
4. Branchez une extrémité du câble du ToneMatch (fourni avec le moteur audio) dans le connecteur de sortie pour le ToneMatch (M) sur le T1.
5. Fixez le câble sur le support à l'aide du crochet et du collier.
6. Insérez l'autre extrémité du câble dans le connecteur ToneMatch du socle amplificateur.

**Figure 6**

Montage du T1



## Ajout d'un second module de basses B1 (facultatif)

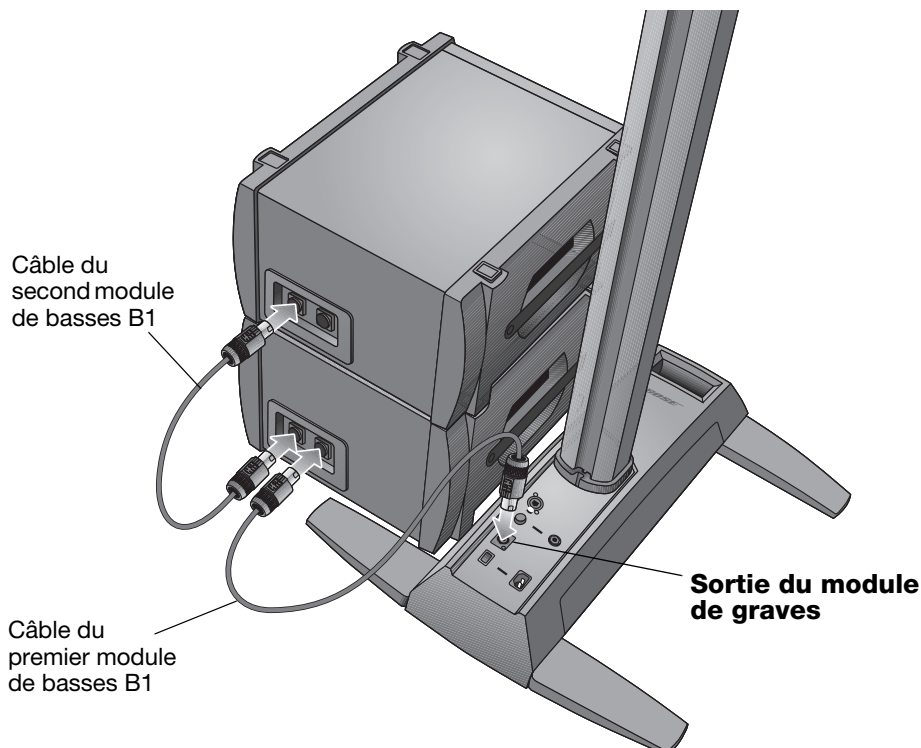
La sortie pour module de graves du socle amplificateur peut contrôler un ou deux modules de graves B1. Ces modules peuvent être empilés s'ils sont placés à l'horizontale (Figure 7).

**⚠ ATTENTION :** Ne connectez pas plus de deux modules de basses B1 à la prise **Bass Module Out** du socle amplificateur. Cela provoquerait une surcharge au niveau de l'amplificateur du socle amplificateur, limitant ainsi les performances du système.

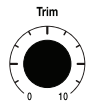
1. Connectez le premier B1 au connecteur **Bass Module Out** du socle amplificateur.
2. Insérez l'une des extrémités du second câble du module de graves B1 dans le connecteur inutilisé du premier module B1. Insérez l'autre extrémité du câble dans l'un des connecteurs du second module B1.

**Figure 7**

Installation de deux modules de basses B1



## Réglage du niveau d'entrée analogique



Lorsque vous connectez une source audio à l'entrée analogique (**Analog Input**), suivez ces conseils pour ajuster l'écrêtage (**Trim**).

1. Réglez la commande **Trim** du socle amplificateur sur zéro (0).
2. Connectez la source audio à l'entrée marquée **Analog Input**.
3. Réglez le volume de la source audio au niveau désiré.
4. Mettez la source en lecture et augmentez le niveau de **Trim** jusqu'à ce que l'indicateur **Signal/Clip** soit vert ou jaune.
5. Si l'indicateur **Signal/Clip** est rouge, diminuez le niveau de **Trim** jusqu'à ce qu'il devienne vert ou jaune.

## Utilisation d'un moteur audio T1 ToneMatch® et d'une source audio analogique

Le système L1® modèle 1S peut fonctionner avec un moteur audio T1 ToneMatch® et une source audio analogique connectée au socle amplificateur. Toutefois, le volume du moteur audio et celui de la source audio analogique doivent être ajustés séparément.

- Le réglage **Trim** du socle amplificateur n'affecte que le volume de la source audio analogique connectée à l'entrée **Analog Input**. L'indicateur **Signal/Clip** ne renseigne donc que sur le niveau du signal d'entrée analogique.
- Le moteur audio T1 ToneMatch est doté d'un réglage d'écrêtage (**Trim**) et d'un indicateur de signal/écrêtage pour chaque entrée, d'un réglage **Volume** pour chaque sortie et d'un réglage de volume général (**Master**) qui permet de régler le niveau de sortie du ToneMatch à destination du socle amplificateur. Ces réglages sont sans effet sur le signal envoyé à l'entrée **Analog Input**.

## Exemples d'utilisation

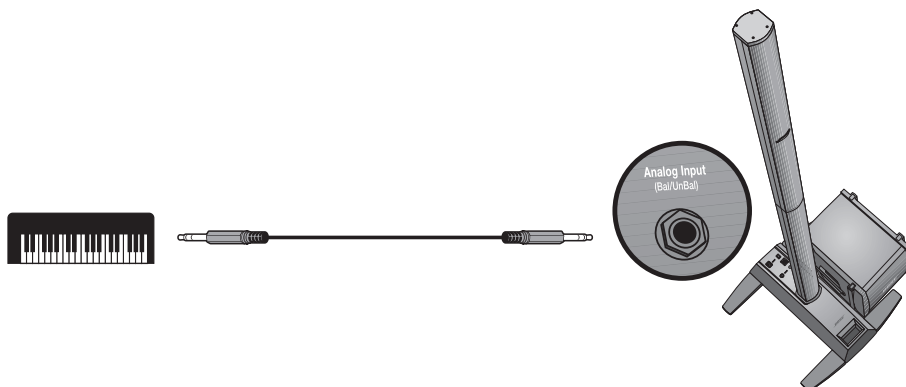
Il existe diverses façons de configurer et utiliser ce système, avec ou sans le moteur audio T1 ToneMatch. Voici quelques exemples d'utilisation typiques. Si vous utilisez le moteur audio T1 ToneMatch, consultez son mode d'emploi pour toutes informations sur son installation et sa configuration.

### Musicien seul

Un musicien peut jouer en solo sur un seul instrument via le système L1 modèle 1S (Figure 1). Mais il peut aussi jouer d'un instrument et utiliser un microphone pour le chant (Figure 2 à la page 16).

**Figure 1**

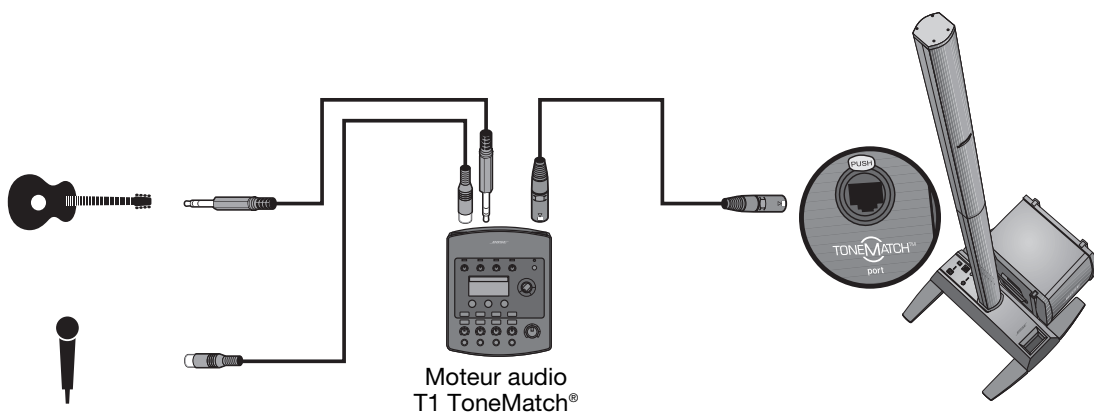
Systeme unique  
avec clavier



INFORMATIONS D'UTILISATION

**Figure 2**

Système unique avec guitare et microphone

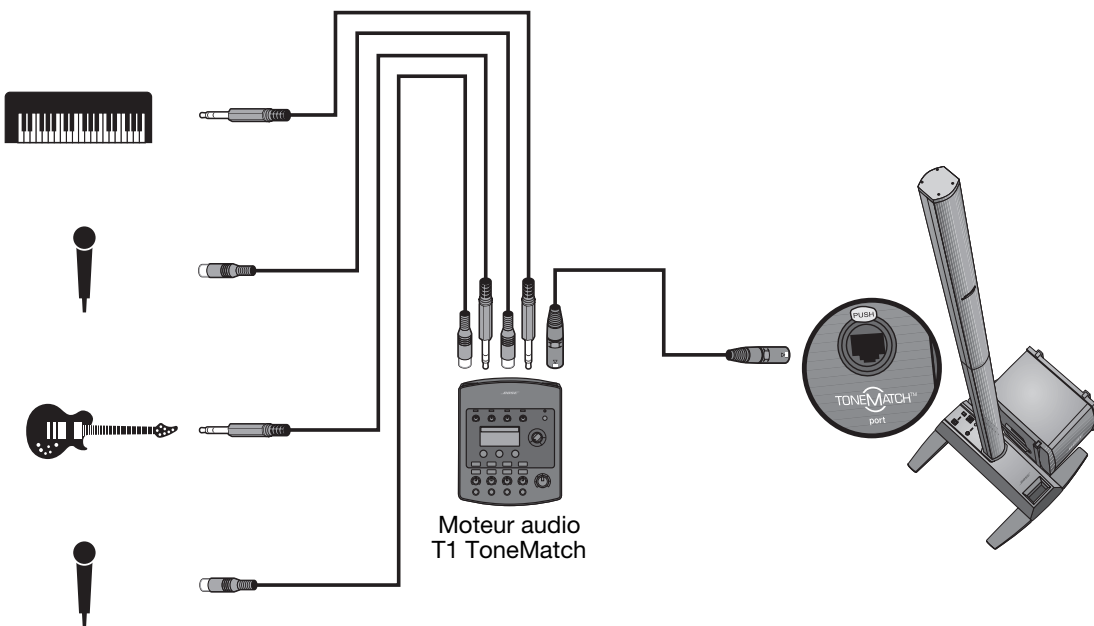


**Plusieurs musiciens**

Dans ce cas de figure, un duo piano-guitare chante et joue via un unique moteur audio T1 ToneMatch et un système L1®.

**Figure 3**

Système unique avec plusieurs instruments et un moteur audio T1 ToneMatch



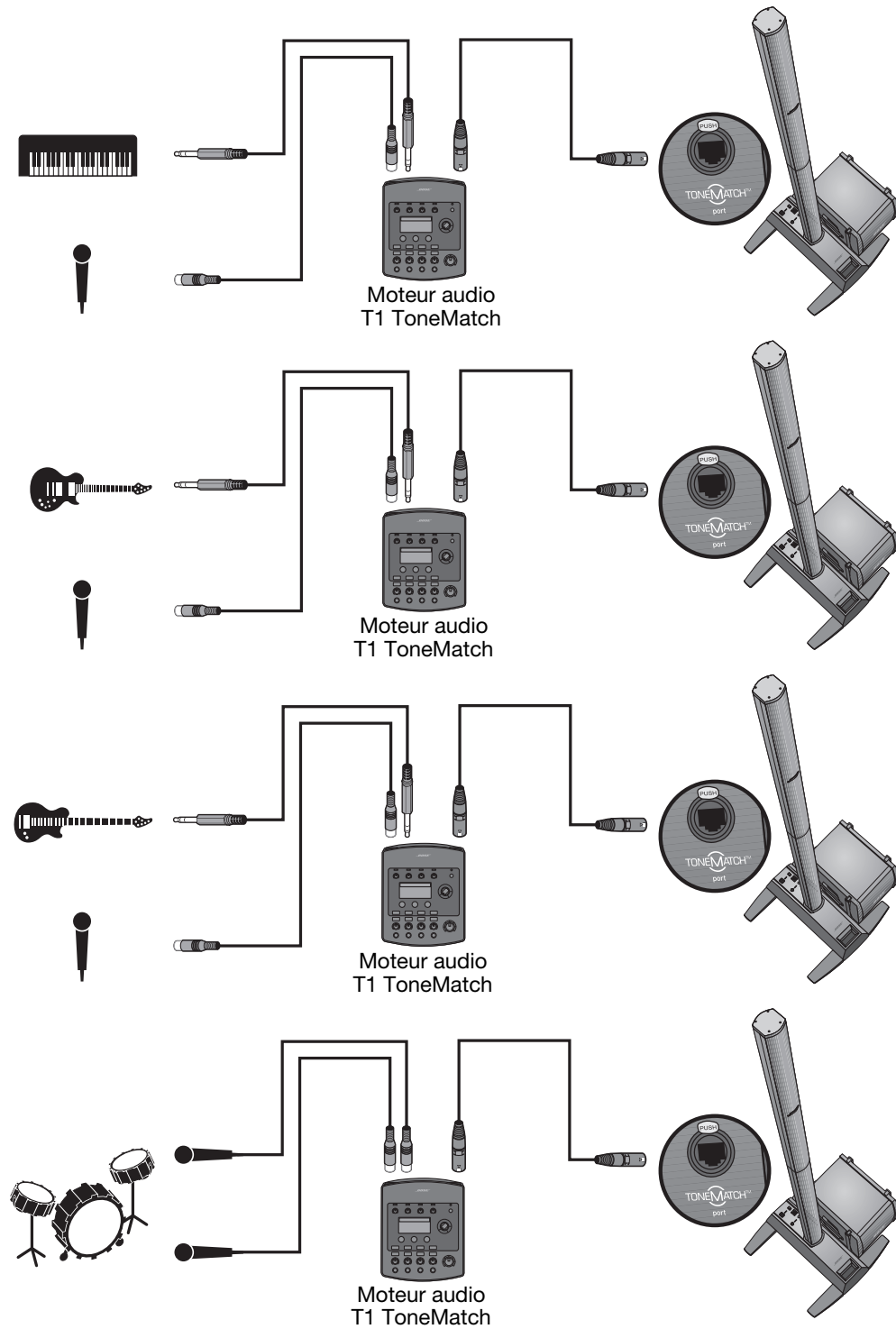


## Orchestre

Dans le cas d'un orchestre, notre exemple sera basé sur plusieurs moteurs audio T1 ToneMatch® et plusieurs systèmes L1®. Chaque musicien chante et joue via un unique moteur audio T1 ToneMatch et un système L1.

**Figure 4**

Plusieurs systèmes, chacun avec un moteur audio T1 ToneMatch

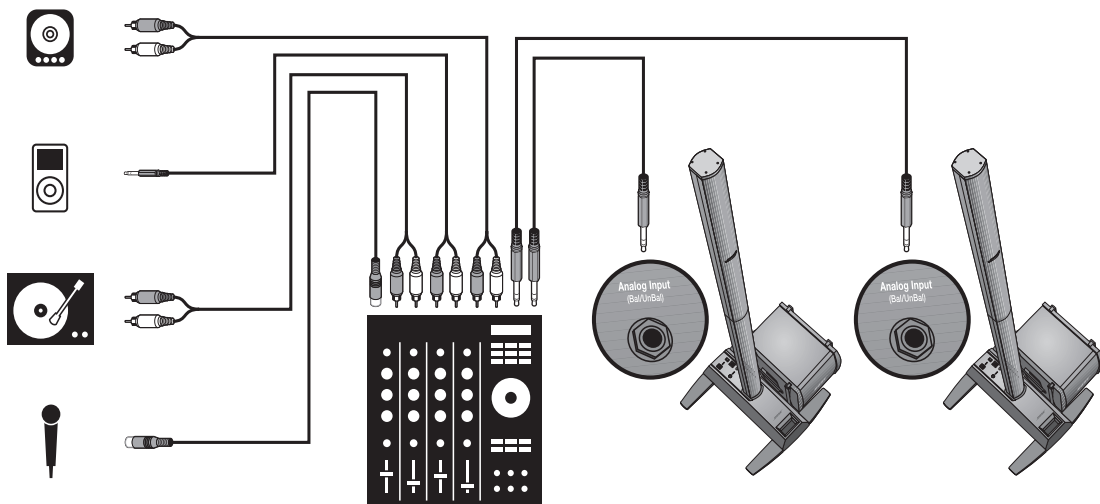


### Disc Jockey

Les DJ utilisent diverses sources (lecteur de CD, platine, lecteur MP3, etc.) connectées à une table de mixage. Dans cet exemple, deux sorties d'une table de mixage peuvent être connectées à deux systèmes L1® pour gérer le son en stéréo.

**Figure 5**

Deux systèmes, une table de mixage et plusieurs sources



## Entretien du produit

### Nettoyage

- Pour nettoyer les boîtiers du système, utilisez uniquement un chiffon doux et sec.
- N'utilisez pas de solvants, de produits chimiques ni de liquides de nettoyage contenant de l'alcool, de l'ammoniaque ou des substances abrasives.
- N'utilisez aucun aérosol à proximité du système et ne laissez aucun liquide pénétrer par une des ouvertures.
- Si nécessaire, vous pouvez utiliser avec précaution un aspirateur pour dépeussier la grille de l'enceinte L1®.

### Service après-vente

Pour toute aide en cas de problème, contactez le service clients de Bose® Live Music Customer Service Product and Technical Support au numéro (877) 335 2673 (USA et Canada) ou consultez le site Internet [www.Bose.com/livesound](http://www.Bose.com/livesound).

## Résolution des problèmes

Si vous rencontrez des problèmes lors de l'utilisation de ce produit, essayez les solutions suivantes. Si vous ne parvenez pas à résoudre le problème, contactez directement le service clients de Bose® Live Music Customer Service au (877) 335-2673 (USA et Canada) afin de convenir d'un rendez-vous pour maintenance.

#### Outils de dépannage recommandés :

- Un voltmètre portable
- Des câbles équipés de fiches XLR et Jack 6,35 mm (1/4")
- Un testeur de câbles
- Câble à quatre broches pour module de graves B1
- Un testeur d'alimentation secteur
- Un cordon d'alimentation secteur de remplacement

<b>Problème</b>	<b>Mesure corrective</b>
Le système est branché au secteur, l'interrupteur est en position de marche, mais la diode de mise sous tension ne s'allume pas.	<ul style="list-style-type: none"> <li>• Vérifiez que la prise secteur fonctionne. Essayez de faire fonctionner une lampe ou un autre appareil sur cette prise secteur, ou testez celle-ci à l'aide d'un voltmètre.</li> <li>• Vérifiez que la fiche du cordon d'alimentation du socle amplificateur est bien insérée dans la prise secteur.</li> </ul>
La diode de mise sous tension est allumée (en vert) mais aucun son n'est émis.	<ul style="list-style-type: none"> <li>• Vérifiez que le contrôle du volume n'est pas en position minimum sur votre instrument.</li> <li>• Assurez-vous que le niveau d'écrêtage (<b>Trim</b>) du socle amplificateur est élevé.</li> <li>• Vérifiez que l'instrument est bien raccordé à la fiche <b>Analog Input</b>.</li> <li>• Connectez votre instrument au socle amplificateur à l'aide d'un autre câble.</li> <li>• Branchez votre instrument à un autre amplificateur pour vous assurer qu'il fonctionne.</li> </ul>
La diode de mise sous tension s'allume en rouge lorsque le socle amplificateur est sous tension.	<ul style="list-style-type: none"> <li>• Contactez le support clientèle Bose Live Music Customer Support au numéro (877) 335-2673 pour obtenir de l'aide.</li> </ul>

## ENTRETIEN

<b>Problème</b>	<b>Mesure corrective</b>
Le disjoncteur du bâtiment se déclenche constamment.	<ul style="list-style-type: none"> <li>• Si plusieurs socles amplificateurs sont branchés sur le même circuit d'alimentation, veillez à échelonner leur mise sous tension. Chaque socle amplificateur a un courant de démarrage en crête de 32 ampères lors de sa mise sous tension.</li> <li>• Si plus de trois socles sont raccordés à un seul circuit de 15 ampères, branchez certains systèmes sur un autre circuit électrique. Chaque socle amplificateur peut nécessiter une intensité de 5 ampères ou plus lorsqu'il est utilisé à un fort volume durant une longue période.</li> </ul>
Si aucune source n'est branchée dans le socle amplificateur, un <i>sifflement</i> ou un <i>bourdonnement</i> sont émis.	<ul style="list-style-type: none"> <li>• À l'aide d'un testeur d'alimentation secteur, testez la prise secteur à laquelle est branché le socle amplificateur pour vérifier l'absence de faux contacts ou de branchements inversés (phase, neutre et/ou terre).</li> <li>• Si vous utilisez une rallonge électrique, veillez à la tester comme indiqué précédemment.</li> </ul>
Le module de graves B1 ou B2 est connecté, mais aucun son grave n'est émis.	<ul style="list-style-type: none"> <li>• Utilisez le câble à quatre broches pour module de graves B1/B2 fourni.</li> <li>• Vérifiez que le module de graves B1 ou B2 est correctement connecté à la prise <b>Bass Module Out</b> du socle amplificateur.</li> <li>• Essayez un autre câble à quatre broches.</li> <li>• Si possible, essayez un autre module de graves B1/B2.</li> </ul>
Le volume du module de graves B1 n'est pas équilibré avec celui du système.	<ul style="list-style-type: none"> <li>• Vérifiez que vous utilisez bien le câble à quatre broches pour module de graves B1/B2 fourni avec le module B1.</li> <li>• Vérifiez que la grille du module de graves B1 ou B2 est orientée vers les musiciens et le public.</li> </ul>
Aucun son médium ou aigu n'est émis par l'enceinte L1®.	<ul style="list-style-type: none"> <li>• Vérifiez que les deux parties de l'enceinte L1 (array supérieure et extension inférieure) sont correctement insérées dans leurs connecteurs.</li> <li>• Vérifiez que les bornes de connexion ne sont pas pliées ou cassées.</li> <li>• Essayez de nettoyer les bornes de connexion des deux parties de l'enceinte avec un aérosol adapté aux connexions électroniques.</li> </ul>
Le son des instrument ou de la source audio est distordu.	<ul style="list-style-type: none"> <li>• Vérifiez que la diode rouge n'est pas constamment allumée. Si tel est le cas, diminuez le réglage d'écrêtage (Trim).</li> <li>• Essayez avec une autre source.</li> <li>• Essayez votre microphone sur un autre socle amplificateur.</li> </ul>
Le microphone provoque un problème de larsen.	<ul style="list-style-type: none"> <li>• Orientez le microphone de façon à ce qu'il ne soit pas dirigé directement vers le système L1 correspondant.</li> <li>• Essayez un autre microphone.</li> <li>• Modifiez la position de l'enceinte et/ou du chanteur sur la scène.</li> <li>• Augmentez la distance entre l'enceinte et le microphone.</li> <li>• Si vous utilisez un processeur d'effets pour voix, assurez-vous qu'il ne contribue pas au problème de larsen.</li> </ul>

## Garantie limitée et enregistrement

Cet appareil est couvert par une garantie limitée. Les détails de cette garantie sont fournis avec l'appareil. Pour enregistrer votre produit en ligne, visitez la page [www.bose.com/register](http://www.bose.com/register) ou appelez le (800) 905-1044 (USA et Canada uniquement). En cas d'oubli, les droits que vous confère cette garantie ne s'en trouveront pas affectés.

## Accessoires

Consultez la page [www.Bose.com/livesound](http://www.Bose.com/livesound) ou appelez le (800) 905-0886 (USA et Canada uniquement) pour obtenir des informations sur les accessoires disponibles.

## Informations techniques

### Spécifications mécaniques

<i>composante</i>	<i>Dimensions</i>	<i>Poids</i>
Socle amplificateur :	12,8 cm (H) x 26,2 cm (L) x 69,2 cm (P)	10,7 kg
Array supérieure :	111,0 cm (H) x 9,0 cm (L) x 10,5 cm (P)	7,4 kg
Extension inférieure :	100,6 cm (H) x 10,6 cm (L) x 10,5 cm (P)	3,8 kg
Module de graves B1 :	38 (H) cm x 26 cm (L) x 45 cm (P)	11,4 kg
Module de graves B2 :	59,4 (H) cm x 33,8 cm (L) x 48 cm (P)	20,41 kg

### Spécifications électriques

- Caractéristiques électriques :  
100-120 V  $\sim$  50/60 Hz 500 W (USA/Canada) ; 220-240 V  $\sim$  50/60 Hz 500 W (Europe)
- Courant d'appel à la mise sous tension :  
32A sous 120 V  $\sim$  60 Hz (USA/Canada) ; 61A sous 230 V  $\sim$  50 Hz (Europe)

<i>composante</i>	<i>Impédance</i>
Enceinte L1 <sup>®</sup> modèle 1S :	4 $\Omega$
Module de graves B1 :	8 $\Omega$
Module de graves B2 :	4 $\Omega$

### Entrées et sorties audio



- Port T1 ToneMatch<sup>®</sup> : connecteur Ethercon/RJ45 de sortie CC /entrée données pour un moteur audio T1 ToneMatch
- Entrée analogique : entrée de niveau Ligne sur fiche TRS ¼"
- Sortie du module de graves : Neutrik<sup>®</sup> NL4 pour un ou deux modules de graves B1

L1 et ToneMatch sont des marques déposées de Bose Corporation aux États-Unis et dans d'autres pays. Les autres marques commerciales appartiennent à leurs propriétaires respectifs.

## INFORMAZIONI SULLA SICUREZZA

### Leggere questo manuale di istruzioni

Seguire scrupolosamente le istruzioni riportate in questo manuale. Tali istruzioni consentono di configurare e utilizzare correttamente il sistema e sfruttare appieno tutte le funzionalità avanzate di cui dispone. Conservare questo manuale come riferimento per il futuro.






-  **AVVERTENZA:** per ridurre il rischio di incendio o di scosse elettriche, il sistema non deve essere esposto a pioggia o umidità.
-  **AVVERTENZA:** per ridurre il rischio di scosse elettriche, il sistema deve essere smontato solo da una persona qualificata. Affidarsi a personale qualificato per tutti gli interventi di assistenza.




Il simbolo del fulmine con la punta a freccia all'interno di un triangolo equilatero mette in guardia l'utente contro tensioni pericolose non isolate all'interno del telaio del sistema, di entità tale da presentare un potenziale pericolo di scarica elettrica.



Il simbolo del punto esclamativo racchiuso all'interno di un triangolo equilatero, che appare sul sistema, rimanda l'utente alla lettura delle importanti istruzioni di uso e manutenzione contenute in questo manuale.

-  **ATTENZIONE:** questo prodotto deve essere collegato a una presa di corrente dotata di un impianto protettivo di messa a terra.
-  **ATTENZIONE:** Non apportare modifiche al sistema o agli accessori. In quanto le modifiche non autorizzate possono compromettere la sicurezza, la conformità alle norme e le prestazioni del sistema.
-  **ATTENZIONE:** Non collocare sorgenti di fiamme libere (ad esempio candele accese) sull'apparecchio o nelle vicinanze dello stesso.
-  **ATTENZIONE:** La spina dell'alimentazione o dell'accoppiatore deve essere raggiungibile facilmente e rapidamente se è utilizzata come dispositivo di spegnimento.
-  **Nota:** Il prodotto è destinato all'uso in ambienti interni. Non è stato progettato né collaudato per l'uso in ambienti esterni, camper o imbarcazioni.

 Questo prodotto è conforme a tutti i requisiti UE applicabili. La dichiarazione di conformità completa è disponibile al seguente indirizzo: [www.Bose.com/compliance](http://www.Bose.com/compliance).

#### Annotare le seguenti informazioni importanti


A questo punto è consigliabile registrare i numeri di serie del sistema in questa sezione e sulla scheda di registrazione del prodotto. È possibile registrare il prodotto online all'indirizzo [www.Bose.com/register](http://www.Bose.com/register) o chiamando il numero (800) 905-1044. La mancata registrazione non incide in alcun modo sui diritti previsti dalla garanzia.

Base di alimentazione di L1® modello 1S: \_\_\_\_\_

Gruppo superiore ed estensione inferiore: \_\_\_\_\_

Modulo bassi B1 o B2: \_\_\_\_\_

## INFORMAZIONI IMPORTANTI SULLA SICUREZZA

1. Leggere queste istruzioni.
2. Conservare queste istruzioni.
3. Prestare attenzione a tutte le avvertenze.
4. Seguire tutte le istruzioni.
5. Non utilizzare l'apparato in prossimità di acqua.
6. Utilizzare solo un panno asciutto per la pulizia.
7. Non ostruire le aperture di ventilazione. Installare il prodotto in conformità con le istruzioni fornite dal produttore.
8. Non installare i diffusori in prossimità di fonti di calore, quali termosifoni, radiatori, stufe o altri apparati (compresi gli amplificatori) che generano calore.
9. Non escludere l'obiettivo di sicurezza della spina polarizzata o con messa a terra. Una spina polarizzata è dotata di due poli, uno più largo dell'altro. Una spina con messa a terra è dotata di due poli e di un terzo terminale di massa. Il polo più largo e il terzo terminale sono presenti per sicurezza. Se la spina in dotazione non è adatta alla presa, rivolgersi a un elettricista per la sostituzione della presa obsoleta.
10. Fare in modo che il cavo di alimentazione non venga calpestato o schiacciato, soprattutto in corrispondenza di spine, prese e nel punto di uscita dall'apparato.
11. Utilizzare solo sistemi di aggancio/accessori specificati dal produttore.
12. Utilizzare solo carrelli, supporti, treppiedi, staffe o tavoli specificati dal produttore o venduti insieme all'apparato. Quando si utilizza un carrello, prestare attenzione durante lo spostamento dell'insieme carrello/apparato per evitare di rovesciarlo causando danni. 
13. Scollegare l'apparato durante i temporali o quando rimane inutilizzato a lungo.
14. Affidarsi a personale qualificato per tutti gli interventi di assistenza. Gli interventi di assistenza si rendono necessari quando l'apparato ha subito danni di qualsiasi tipo, ad esempio se il cavo di alimentazione o la spina sono danneggiati, se è stato versato del liquido o sono caduti oggetti sull'apparato, se l'apparato è stato esposto a pioggia o umidità, se non funziona normalmente o è caduto.
15. Per prevenire il rischio di incendi o scosse elettriche, evitare di sovraccaricare le prese elettriche, le prolunghe o le prese multiservizio.
16. Non lasciare penetrare nel prodotto oggetti o liquidi che potrebbero venire a contatto con punti in cui sono presenti tensioni pericolose o provocare cortocircuiti o dare adito a incendi o scosse elettriche.
17. Sul fondo del prodotto sono riportate le indicazioni sulla sicurezza.
18. Utilizzare fonti di alimentazione adeguate. Collegare il prodotto a una sorgente di alimentazione appropriata, secondo quanto riportato nelle istruzioni per l'uso o sul prodotto stesso.
19. L'apparato deve essere tenuto lontano da gocce o schizzi e non deve essere utilizzato come base per oggetti colmi di liquidi, quali vasi.

### Informazioni sui prodotti che generano rumore elettrico

NOTA: questa apparecchiatura è stata collaudata ed è risultata conforme ai limiti fissati per i dispositivi digitali di Classe A, ai sensi della parte 15 delle norme FCC. Tali limiti sono stati fissati allo scopo di assicurare un'adeguata protezione dalle interferenze dannose quando l'apparecchiatura è utilizzata in un'installazione commerciale. Questa apparecchiatura genera, utilizza e può irradiare energia a radiofrequenza e, se non installata e utilizzata in conformità con il manuale di istruzioni, può interferire negativamente con le comunicazioni radiofoniche. L'utilizzo di questa apparecchiatura in un'area residenziale può provocare interferenze dannose, nel qual caso l'utente dovrà adottare misure correttive a proprie spese.

Eventuali modifiche o alterazioni non espressamente approvate da Bose Corporation possono rendere nulla l'autorizzazione dell'utente all'utilizzo dell'apparecchiatura stessa.

Il presente apparato digitale di Classe B è conforme alla normativa Canadian ICES-003.

Corrente di spunto iniziale all'accensione: 32 Amp

Corrente di spunto dopo 5 secondi di interruzione dell'alimentazione CA: 32 Amp

Il presente prodotto è conforme a tutti i requisiti di immunità EN55103-2 per ambienti elettromagnetici di tipo E2.

<b>INTRODUZIONE</b>	<b>5</b>
Benvenuti .....	5
Caratteristiche e vantaggi .....	5
Panoramica del prodotto .....	6
Collegamenti e controlli .....	7
<b>CONFIGURAZIONE DEL SISTEMA</b>	<b>8</b>
Elenco dei componenti .....	8
Posizionamento del sistema .....	9
Installazione della base di alimentazione .....	10
Assemblaggio del sistema L1® modello 1S .....	10
Alimentazione CA .....	11
Collegamento del modulo bassi B1 o B2 .....	12
Aggiunta di un modulo audio T1 ToneMatch® (opzionale) .....	13
Aggiunta di un secondo modulo bassi B1 (opzionale) .....	14
<b>INFORMAZIONI SUL FUNZIONAMENTO</b>	<b>15</b>
Impostazione del livello di ingresso analogico .....	15
Uso di un modulo audio T1 ToneMatch® e di una sorgente audio analogica .....	15
Scenari di utilizzo .....	15
Esecutore singolo .....	15
Più esecutori .....	16
Band completa .....	17
Eventi DJ .....	18
<b>MANUTENZIONE</b>	<b>19</b>
Operazioni di manutenzione .....	19
Pulizia .....	19
Come ottenere assistenza .....	19
Risoluzione dei problemi .....	19
Garanzia limitata e registrazione .....	21
Accessori .....	21
Informazioni tecniche .....	21
Parti meccaniche .....	21
Parti elettriche .....	21
Ingressi/uscite audio .....	21



# INTRODUZIONE

---

## *Benvenuti*

Grazie per avere acquistato il sistema Bose® L1® modello 1S con porta ToneMatch®. Questo sistema si basa su una nuova tecnologia rivoluzionaria ed estende i vantaggi di un concerto acustico privato alle esibizioni con impianti di amplificazione.

Questo manuale fornisce istruzioni dettagliate sull'installazione e il funzionamento del sistema L1 e descrive il collegamento dei componenti.

Per ulteriori informazioni sull'utilizzo del sistema, suggerimenti, tecniche e domande frequenti, visitare il sito Web all'indirizzo [www.bose.com/livesound](http://www.bose.com/livesound).

## *Caratteristiche e vantaggi*

- **È il musicista a controllare il suono** – Proprio come in un'esibizione senza amplificazione è l'esecutore a controllare il suono. Non è più necessario domandarsi come il suono viene udito dagli altri musicisti e dal pubblico, perché tutti ascoltano la stessa cosa.
- **Semplicità e rapidità di installazione** – Il sistema L1 è semplice da trasportare e si installa in pochi minuti, non ore. In questo modo si evita tutto il dispendio di tempo e la frustrazione cui invece si va incontro per installare correttamente il sistema con le tradizionali apparecchiature audio.
- **Sensibile miglioramento delle prestazioni** – Rispetto alle apparecchiature tradizionali, le prestazioni e il piacere che si prova a suonare migliorano nettamente perché non è più necessario fare tanta fatica per ascoltare se stessi e gli altri musicisti.
- **Eccitazione ed emozione** – Un'esecuzione di alto livello crea quella sorta di eccitazione ed emozione apprezzate dagli amanti della musica.
- **Il suono udito dal musicista è lo stesso che giunge al pubblico** – Per la prima volta, i musicisti ascoltano ciò che ascolta il pubblico. Si riduce così il rischio di suonare a livelli sonori eccessivi.
- **La musica è naturalmente dinamica** – Tutti i passaggi, dai più tenui ai più intensi, sono udibili e godibili.
- **Migliora l'impatto visivo** – Sul palco ci sono meno apparecchiature e più spazio.
- **Riproduzione del suono senza precedenti** – Il pubblico racconta che la nitidezza e l'eccitazione derivanti dall'udire la riproduzione fedele del suono di ogni singolo strumento e soprattutto in relazione alla sua posizione sul palco (rispetto al mix mono o persino stereo di tutti gli strumenti) è qualcosa che non hanno mai sperimentato prima in un'esibizione amplificata.

## Panoramica del prodotto

Il sistema L1® modello 1S con porta ToneMatch® è costituito da: base di alimentazione, estensione inferiore, gruppo superiore e un modulo bassi B1 o B2. Il sistema viene fornito anche con una sacca imbottita per il trasporto di ciascuno dei suoi componenti.

Per espandere il sistema e migliorare ulteriormente le prestazioni, è possibile aggiungere:

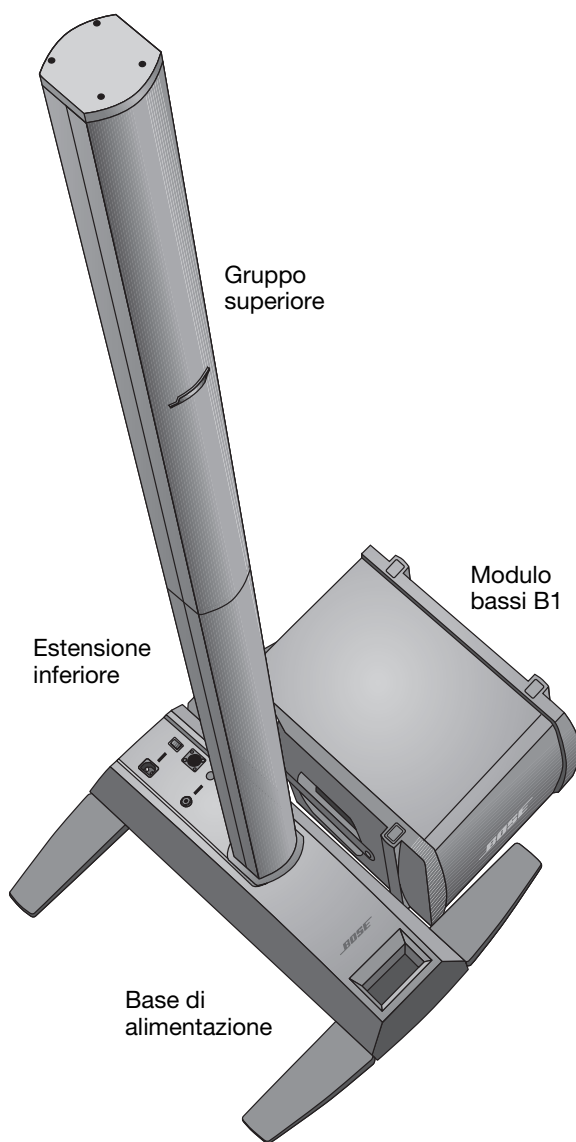
- Un secondo modulo bassi B1 per il basso elettrico, la cassa della batteria o l'organo. Ogni base di alimentazione è in grado di alimentare fino a due moduli bassi B1.
- Un modulo audio T1 ToneMatch per l'elaborazione del segnale digitale, ingressi aggiuntivi e il controllo mediante interfaccia utente.

Per un elenco completo dei componenti opzionali e degli accessori, visitare [www.Bose.com/livesound](http://www.Bose.com/livesound).

### Figura 1

Sistema L1 modello 1S e componenti opzionali

#### Sistema L1 modello 1S con porta ToneMatch modulo bassi B1



#### Elementi opzionali

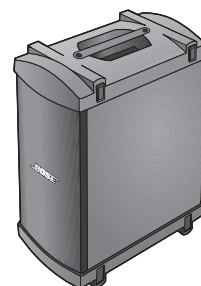
Modulo audio  
T1 ToneMatch



Modulo  
bassi B1  
aggiuntivo



Modulo  
bassi B2

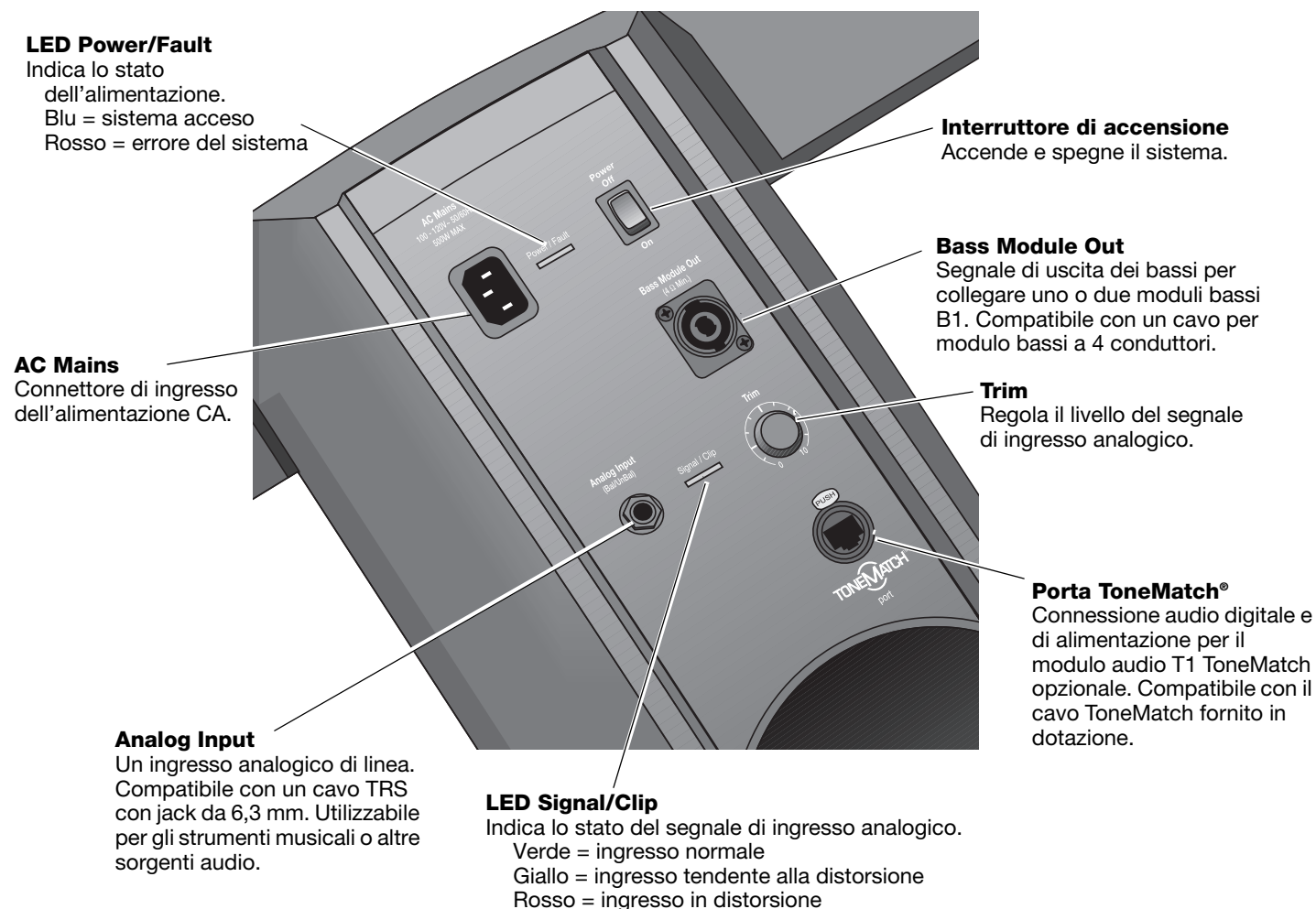


## Collegamenti e controlli

Il pannello superiore della base di alimentazione fornisce i connettori e i controlli del sistema (Figura 2).

### Figura 2

Pannello superiore della base di alimentazione

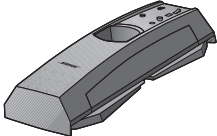
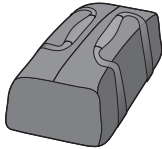


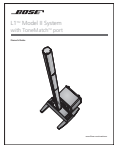

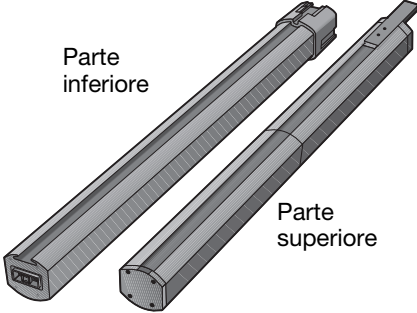
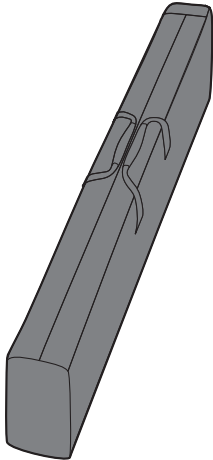


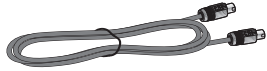




# CONFIGURAZIONE DEL SISTEMA

## Elenco dei componenti

Il sistema L1® viene fornito in tre confezioni separate. Estrarre delicatamente il contenuto delle confezioni e verificare che siano presenti tutti i componenti illustrati in questa pagina.

**AVVERTENZA:** per evitare rischi di soffocamento, tenga i sacchetti di plastica fuori dalla portata dei bambini.

Confezione della base di alimentazione	Confezione gruppo ed estensione	Confezione modulo bassi B1 o B2
<p>Base di alimentazione L1</p>  <p>Sacca per il trasporto</p>  <p>Cavo di alimentazione CA</p>  <p>Guida rapida all'installazione</p>  <p>Manuale di istruzioni</p>  <p>Scheda di registrazione prodotto</p> 	<p>Gruppo superiore ed estensione inferiore modello L1 1S</p> <p>Parte inferiore</p>  <p>Parte superiore</p> <p>Sacca per il trasporto</p> 	<p>Modulo bassi B1 o B2</p>  <p>Coperchio</p>  <p>Cavo modulo bassi (a 4 conduttori)</p>  <p>Piedini in gomma adesivi (solo per B2)</p>  <p>Manuale di istruzioni per modulo bassi B1 o B2</p> 

## Posizionamento del sistema

Il corretto posizionamento della base di alimentazione è una fase importante dell'installazione del sistema.

La posizione ottimale per l'esibizione dipende da diversi fattori:

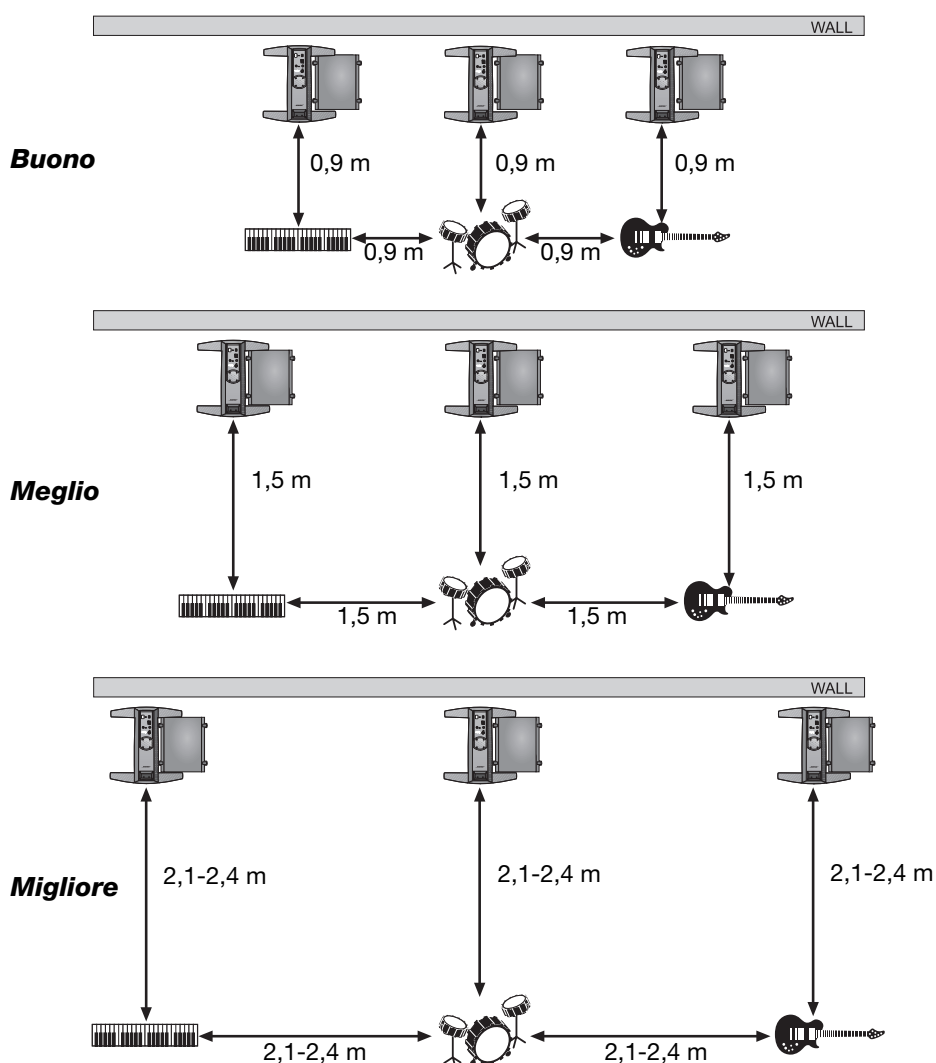
- Dimensioni dell'area del palco
- Numero di esecutori
- Sistema condiviso (con l'aggiunta di un modulo audio T1 ToneMatch® e di più strumenti)

Le indicazioni che seguono possono essere utili per iniziare a preparare un concerto o un'esibizione.

- Installare il sistema nella parte posteriore del palco.
- Se possibile, collocarlo alle spalle dei musicisti.
- Nelle esibizioni di gruppo, i musicisti non dovrebbero essere troppo vicini gli uni agli altri sul palco. Collocarsi a una certa distanza (preferibilmente a 2-2,5 metri) dal sistema L1® e dagli altri componenti del gruppo. In questo modo, il suono può avvolgere gli artisti e riflettersi sulle superfici adiacenti della sala, riempiendo l'ambiente di ascolto e creando un'estesa immagine sonora, molto più piacevole.

### Figura 1

Consigli per il posizionamento

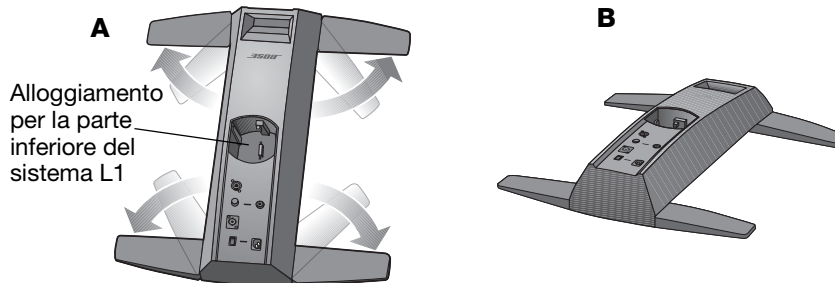


## Installazione della base di alimentazione

1. Tenendo la base di alimentazione perpendicolare al pavimento (Figura 2A), afferrare una gamba e ruotarla verso l'esterno fino al punto di apertura massima. Si noterà che le altre gambe fuoriescono automaticamente. **Le gambe devono essere completamente aperte per poter collegare l'estensione alla base di alimentazione.**
2. Collocare la base di alimentazione nella posizione desiderata (Figura 2B).

**Figura 2**

Posizionamento della base di alimentazione sul pavimento



**AVVERTENZA:** NON spostare il sistema quando è completamente assemblato. Ciò potrebbe provocare lesioni personali e/o danni al prodotto. Posizionare la base di alimentazione sul pavimento nella posizione desiderata prima di assemblare il sistema.

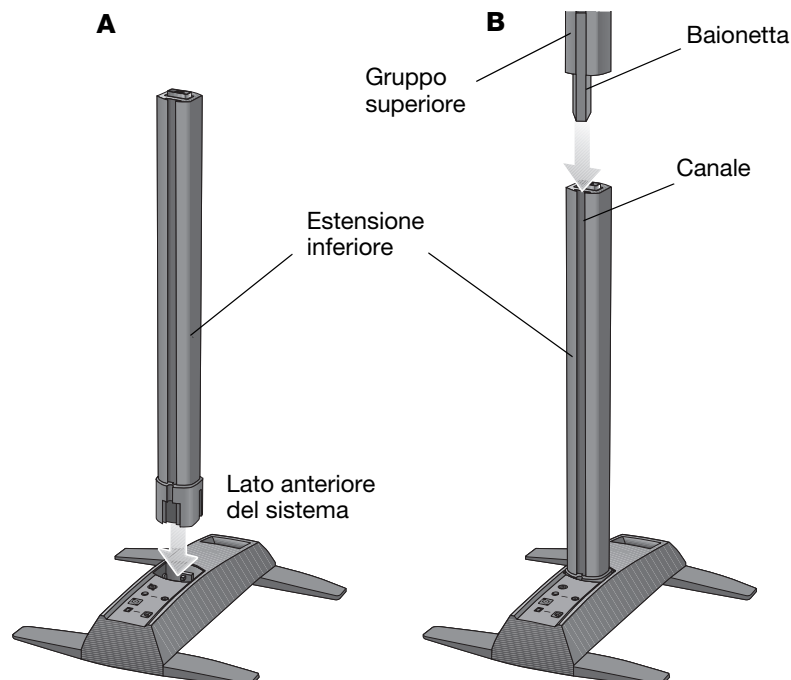
## Assemblaggio del sistema L1® modello 1S

La procedura seguente illustra come installare le sezioni dei diffusori nella base di alimentazione. Se si prevede di montare il modulo audio T1 ToneMatch® sul sistema L1 modello 1S, consultare la sezione “Aggiunta di un modulo audio T1 ToneMatch® (opzionale)” a pagina 13 prima di installare il gruppo superiore del diffusore.

1. Tenere l'estensione inferiore in modo che il coperchio sia rivolto in avanti e inserirla nella base di alimentazione (Figura 3A). Inserirla completamente nell'alloggiamento per garantire stabilità e un buon collegamento.
2. Allineare la baionetta presente sul gruppo superiore al canale sul retro della parte inferiore, quindi abbassare la parte superiore su quella inferiore fino a quando non è perfettamente allineata (Figura 3B).

**Figura 3**

Configurazione del sistema

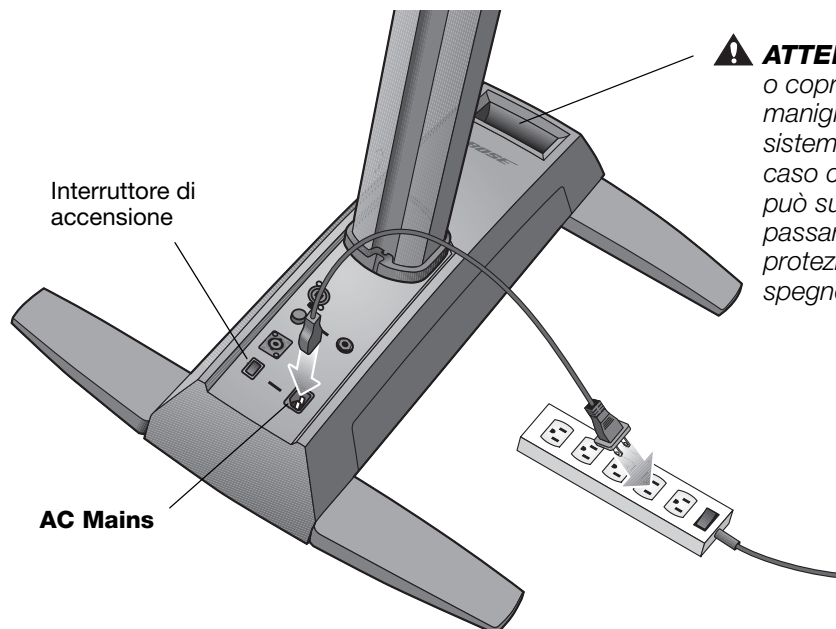


## Alimentazione CA

1. Assicurarsi che l'interruttore di accensione sia disinserito (posizione OFF).
2. Inserire un'estremità del cavo di alimentazione nel connettore **AC Mains** sulla base di alimentazione.
3. Inserire l'estremità opposta in una presa di corrente CA (Figura 4).

### Figura 4

Collegamenti all'alimentazione



**ATTENZIONE:** NON ostruire o coprire l'apertura della maniglia, poiché fa parte del sistema di ventilazione. In caso contrario, il sistema L1® può surriscaldarsi e pertanto passare a una modalità di protezione termica e spegnersi temporaneamente.

**ATTENZIONE:** Bose consiglia di collegare a tutte le apparecchiature elettroniche utilizzate un buon soppressore di sovratensioni e sovracorrenti. Le variazioni e i picchi di tensione possono danneggiare i componenti elettronici di qualsiasi sistema. Un soppressore di buona qualità, acquistabile presso qualsiasi negozio di elettronica, è in grado di eliminare la maggior parte dei guasti attribuibili a sovratensioni.

## Collegamento del modulo bassi B1 o B2

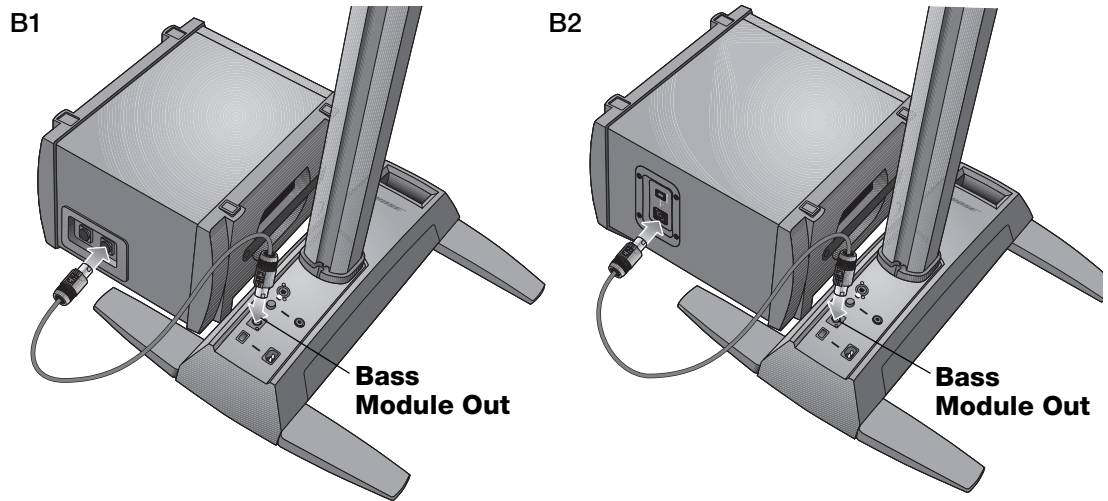
Il modulo bassi B1 o B2 può essere collocato sul pavimento in posizione verticale oppure orizzontale. Si inserisce comodamente tra le gambe della base di alimentazione.

1. Inserire un'estremità del cavo del modulo B1 o B2 in uno dei connettori per bassi. Per fissare la spina saldamente, ruotarla in senso orario. Quando si blocca in posizione, si dovrebbe udire un clic.
2. Inserire l'altra estremità del cavo nel connettore **Bass Module Out** della base di alimentazione. Per fissare la spina saldamente, ruotarla in senso orario.

♪ **Nota:** per scollegare il cavo B1 o B2, fare scorrere all'indietro la linguetta metallica sul corpo della spina, ruotare la spina in senso antiorario ed estrarla dal connettore.

**Figura 5**

Moduli bassi B1 e B2



### ⚠ **ATTENZIONE:**

- **NON** collegare un modulo bassi diverso da B1 o B2 alla base di alimentazione.
- **NON SOSTITUIRE** il cavo in dotazione con un cavo per diffusori a 2 conduttori. Per collegare il modulo bassi B1 alla base di alimentazione, utilizzare solo il cavo a 4 conduttori per modulo bassi B1 fornito in dotazione. La base di alimentazione utilizza i segnali su due dei conduttori per rilevare automaticamente il numero di moduli bassi B1 o B2 collegati.
- **NON** collegare un modulo bassi B1 o B2 a due basi di alimentazione contemporaneamente.



## Aggiunta di un modulo audio T1 ToneMatch® (opzionale)

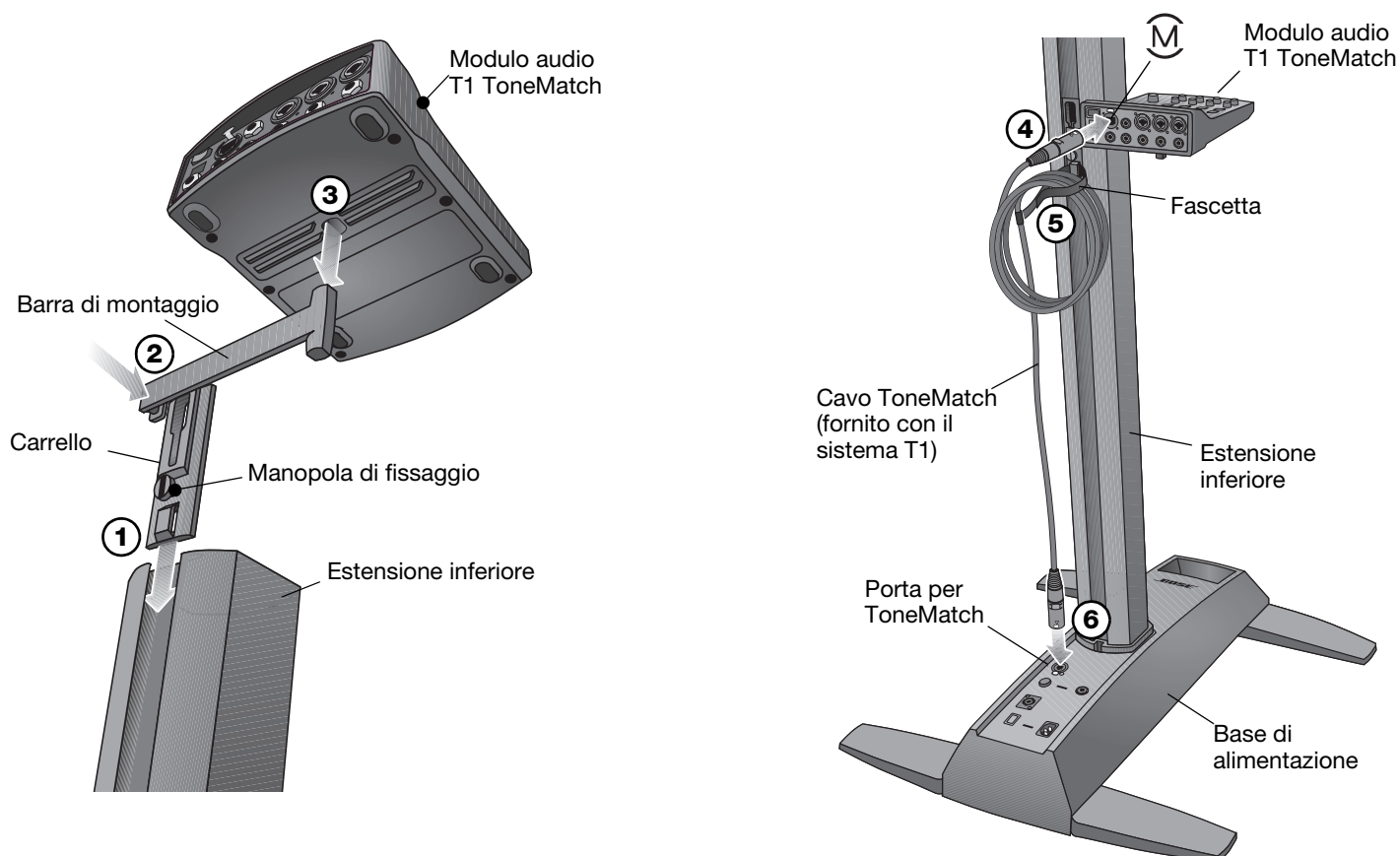
Il modulo audio T1 ToneMatch® fornisce funzioni aggiuntive di ingresso/uscita al sistema, oltre all'elaborazione digitale del segnale per personalizzare il suono. Il modulo audio viene fornito con gli accessori necessari per montarlo sul lato sinistro o destro dell'estensione inferiore.

🎵 **Nota:** il modulo audio viene montato sulla sezione posteriore del diffusore e richiede la rimozione della sezione superiore prima di iniziare la procedura descritta di seguito.

1. Fare scorrere il carrello nel canale presente sul retro dell'estensione inferiore e ruotare la manopola in senso orario per bloccarlo (Figura 6).
2. Inserire la barra di montaggio nell'apertura presente sul carrello e spingerla verso il basso.
3. Posizionare il sistema T1 sulla barra di montaggio, come mostrato.
4. Inserire un'estremità del cavo del modulo audio ToneMatch (fornito con il modulo audio) nella porta di uscita per ToneMatch (M) sul sistema T1.
5. Mediante l'apposita fascetta, fissare il cavo al carrello.
6. Inserire l'altra estremità del cavo nella porta per ToneMatch presente sulla base di alimentazione.

**Figura 6**

Montaggio del sistema T1



## Aggiunta di un secondo modulo bassi B1 (opzionale)

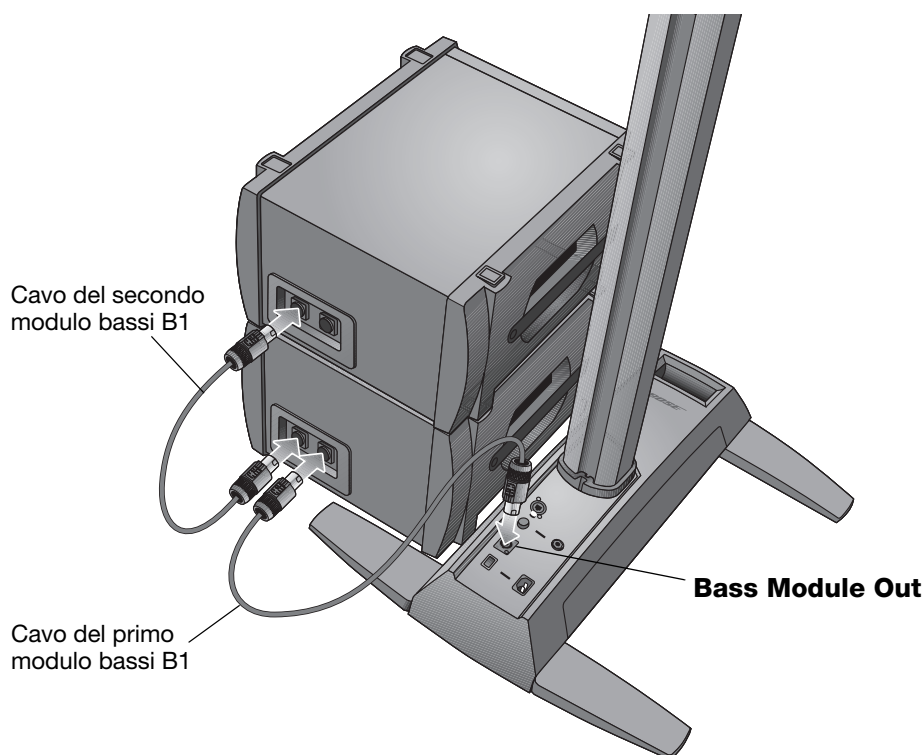
L'uscita modulo bassi della base di alimentazione è in grado di gestire correttamente uno o due moduli bassi B1. Se posizionati in orizzontale, i moduli sono impilabili (Figura 7).

**⚠ ATTENZIONE:** non collegare più di due moduli bassi B1 al connettore **Bass Module Out** sulla base di alimentazione. In caso contrario, l'amplificatore della base di alimentazione viene eccessivamente sollecitato, con conseguenze negative sulle prestazioni del sistema.

1. Collegare il primo modulo B1 al connettore **Bass Module Out** della base di alimentazione.
2. Inserire un'estremità del cavo del secondo modulo B1 nel connettore inutilizzato del primo modulo B1. Inserire l'altra estremità del cavo in uno dei connettori del secondo modulo B1.

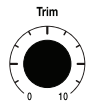
### Figura 7

Installazione di due moduli bassi B1



## INFORMAZIONI SUL FUNZIONAMENTO

### Impostazione del livello di ingresso analogico



Quando si collega una sorgente audio al connettore **Analog Input**, eseguire le seguenti operazioni per regolare il controllo **Trim** di ingresso.

1. Impostare sulla posizione 0 (zero) il controllo **Trim** sulla base di alimentazione.
2. Collegare la sorgente audio al connettore **Analog Input**.
3. Regolare il volume della sorgente audio fino a ottenere il livello desiderato.
4. Durante la riproduzione della sorgente, aumentare il livello del controllo **Trim** fino a quando l'indicatore **Signal/Clip** diventa verde o giallo.
5. Se l'indicatore **Signal/Clip** diventa rosso, ridurre il livello del controllo **Trim** fino a quando torna verde o giallo.

### Uso di un modulo audio T1 ToneMatch® e di una sorgente audio analogica

Il sistema L1® modello 1S consente di utilizzare contemporaneamente un modulo audio T1 ToneMatch® e una sorgente audio analogica collegati alla base di alimentazione. Tuttavia, è opportuno tenere in considerazione che il livello del volume del modulo audio e quello della sorgente audio analogica vengono regolati separatamente.

- Il controllo **Trim** della base di alimentazione influisce solo sul livello del volume della sorgente audio analogica collegata al connettore **Analog Input**. Pertanto, l'indicatore **Signal/Clip** segnala solo lo stato del segnale di ingresso analogico.
- Il modulo audio T1 ToneMatch è dotato di un controllo **Trim** e di un indicatore Signal/Clip per ogni ingresso, di un controllo **Volume** per ogni canale di uscita e di un controllo di volume **Master** che regola il livello dell'uscita di ToneMatch inviata alla base di alimentazione. Questi controlli non hanno alcun effetto sul segnale inviato al connettore **Analog Input**.

### Scenari di utilizzo

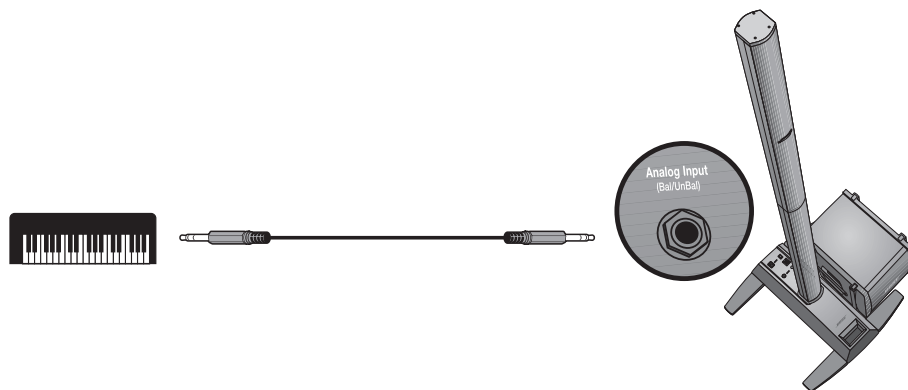
Sono disponibili molti modi per installare e utilizzare questo sistema con e senza il modulo audio T1 ToneMatch. Le pagine seguenti mostrano alcuni esempi di scenari di utilizzo più comuni. Quando si utilizza il modulo audio T1 ToneMatch, consultare il relativo manuale di istruzioni per ulteriori informazioni sull'installazione e l'utilizzo.

#### Esecutore singolo

Un esecutore singolo può suonare uno strumento mediante il sistema L1 modello 1S (Figura 1). Oppure, può suonare uno strumento e utilizzare un microfono per la voce (Figura 2 a pagina 16).

**Figura 1**

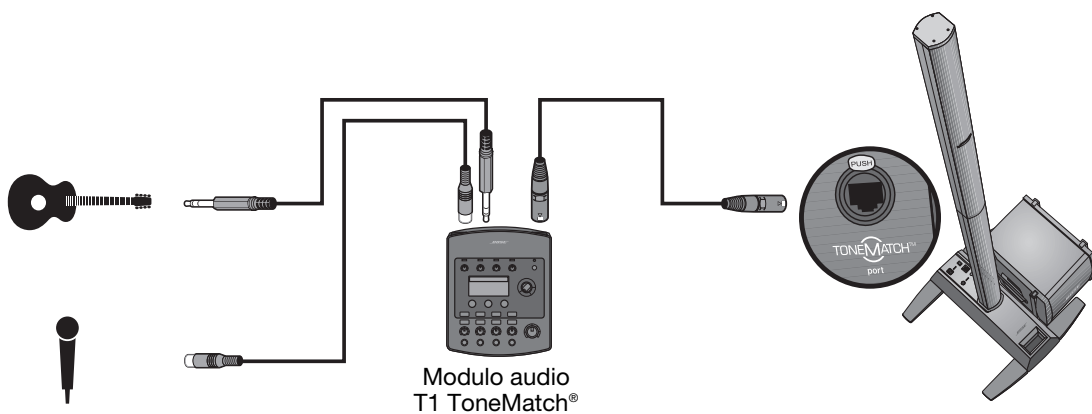
Sistema singolo con tastiera



## INFORMAZIONI SUL FUNZIONAMENTO

**Figura 2**

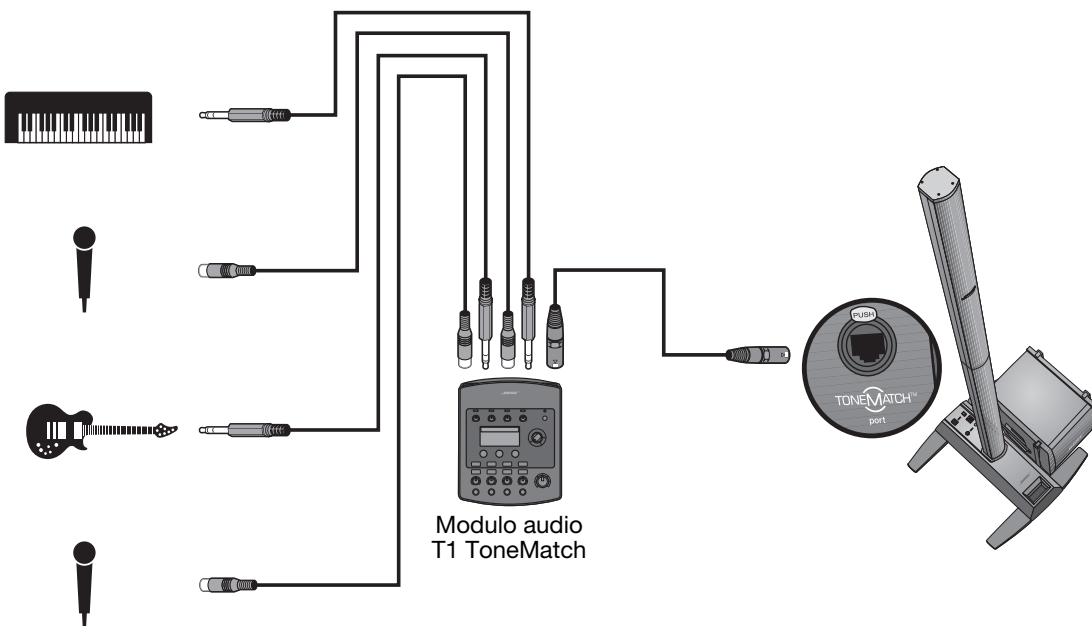
Sistema singolo con  
chitarra e microfono

**Più esecutori**

In questo scenario, un duo tastiera-chitarra canta e suona utilizzando un singolo modulo audio T1 ToneMatch e un sistema L1®.

**Figura 3**

Sistema singolo con più  
strumenti e modulo audio  
T1 ToneMatch

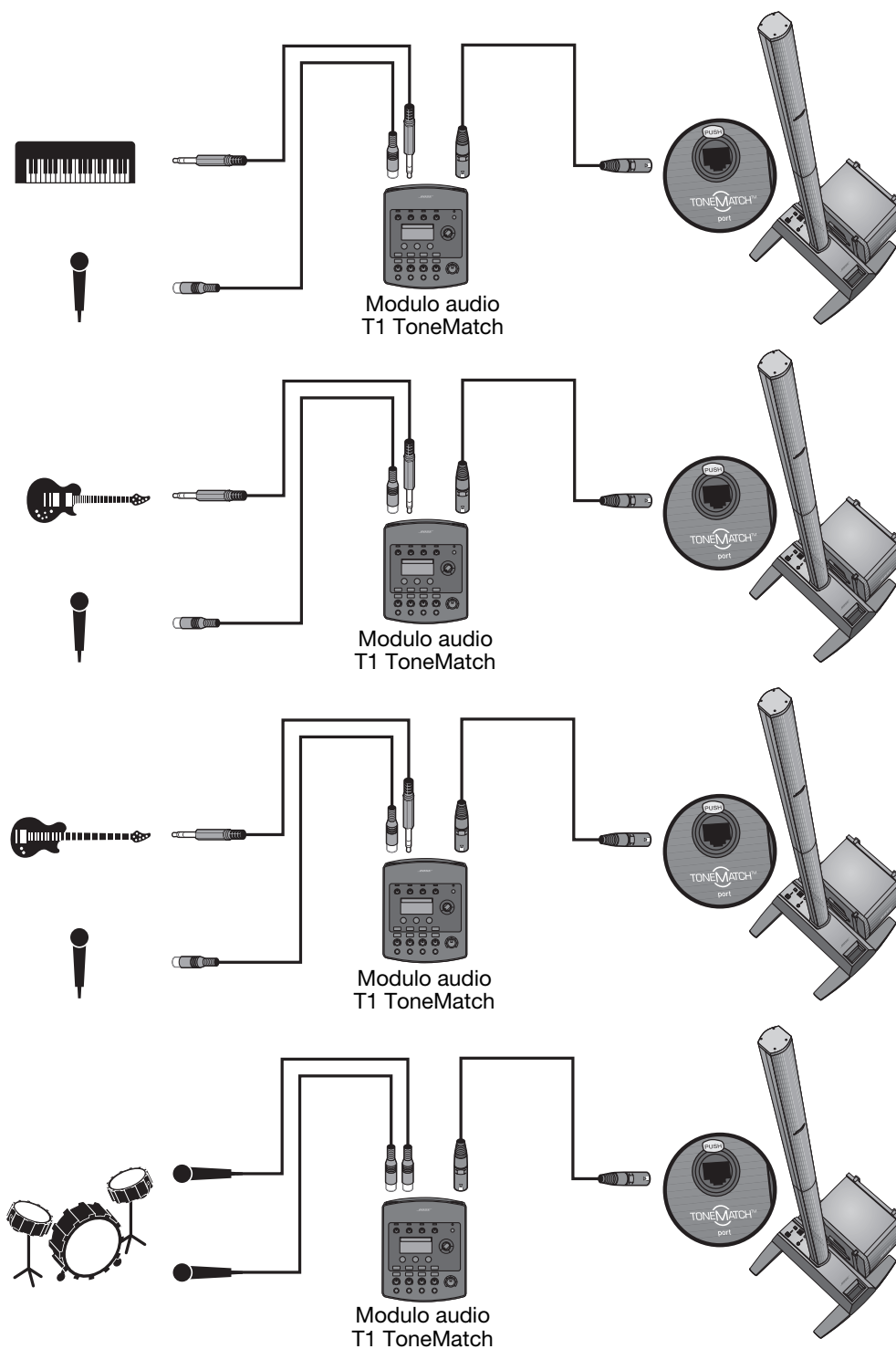


## Band completa

Lo scenario relativo a una band completa si basa su più moduli audio T1 ToneMatch® e sistemi L1®. Ogni esecutore canta e suona utilizzando un singolo modulo audio T1 ToneMatch e un sistema L1.

### Figura 4

Più sistemi, ognuno con un modulo audio T1 ToneMatch



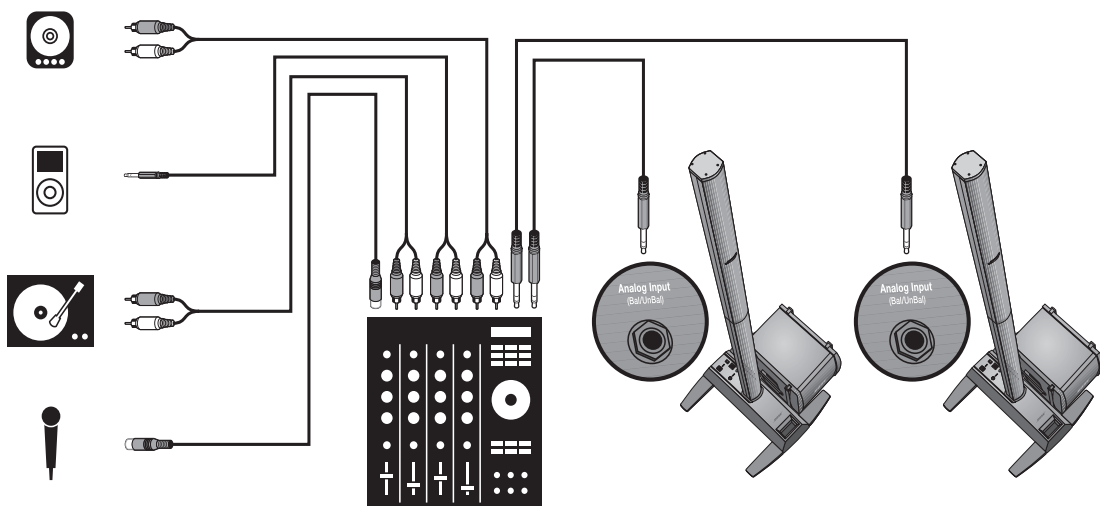
## INFORMAZIONI SUL FUNZIONAMENTO

**Eventi DJ**

I DJ utilizzano molti tipi di sorgenti di ingresso (lettore CD, giradischi, lettore MP3, e così via) collegati a un mixer. In questo scenario, due uscite mixer possono essere inviate a due sistemi L1® per ottenere audio in stereo.

**Figura 5**

Due sistemi, un mixer e dispositivi di input



## Operazioni di manutenzione

### **Pulizia**

- Utilizzare solo un panno morbido e asciutto per pulire le superfici esterne del prodotto.
- Non utilizzare solventi, prodotti chimici o soluzioni detergenti contenenti alcol, ammoniaca o abrasivi.
- Non utilizzare spray vicino al prodotto ed evitare di versare liquidi nelle aperture.
- Se necessario, le griglie del diffusore di L1® possono essere pulite delicatamente con un aspirapolvere.

### **Come ottenere assistenza**

Se è necessaria ulteriore assistenza per la risoluzione di problemi, contattare il Bose® Live Music Customer Service Product and Technical Support Team al numero (877) 335-2673 oppure visitare la sezione dell'assistenza sul nostro sito Web all'indirizzo [www.Bose.com/livesound](http://www.Bose.com/livesound).

## Risoluzione dei problemi

In caso di problemi durante l'uso del prodotto, provare ad adottare le soluzioni indicate di seguito. Se non è comunque possibile risolvere il problema, chiamare direttamente il centro Bose Live Music Product and Technical Support Team al numero (877) 335-2673 per chiedere assistenza.

### **Strumenti consigliati per la risoluzione dei problemi**

- Voltmetro portatile
- Tester per cavi
- Tester per corrente alternata
- Cavi XLR e cavi con jack da 6,3 mm
- Cavo a 4 conduttori per modulo bassi B1
- Cavo di alimentazione CA di ricambio

<b>Problema</b>	<b>Soluzione</b>
Il sistema è collegato e acceso ma il LED di alimentazione è spento	<ul style="list-style-type: none"> <li>• Assicurarsi che la presa di corrente sia alimentata. Provare a collegare una lampada o un'altra apparecchiatura alla stessa presa CA oppure verificarne il funzionamento utilizzando l'apposito tester.</li> <li>• Assicurarsi che il connettore del cavo di alimentazione della base di alimentazione sia inserito correttamente nella presa CA.</li> </ul>
Il LED di alimentazione è acceso (verde), ma il suono è assente	<ul style="list-style-type: none"> <li>• Assicurarsi che il controllo del volume sullo strumento sia attivato.</li> <li>• Assicurarsi che il controllo del livello <b>Trim</b> sia attivato sulla base di alimentazione.</li> <li>• Assicurarsi che lo strumento sia collegato al connettore <b>Analog Input</b>.</li> <li>• Collegare lo strumento musicale alla base di alimentazione utilizzando un altro cavo.</li> <li>• Collegare lo strumento a un altro amplificatore per assicurarsi che sia funzionante.</li> </ul>
Il LED di alimentazione è rosso quando la base di alimentazione è accesa	<ul style="list-style-type: none"> <li>• Chiamare il centro Bose Live Music Customer Support al numero (877) 335-2673 per ottenere assistenza.</li> </ul>
L'interruttore automatico continua a scattare	<ul style="list-style-type: none"> <li>• Se sono collegate più basi di alimentazione allo stesso circuito CA, accenderle in momenti diversi. Ciascuna base di alimentazione presenta un picco d'assorbimento di circa 32 amp all'accensione.</li> <li>• Se sono collegate più di tre basi di alimentazione a un unico circuito da 15 amp, spostare alcuni sistemi su un altro circuito CA. Ogni base di alimentazione può assorbire 5 amp o più quando si suona ad alto volume per lunghi periodi di tempo.</li> </ul>

## MANUTENZIONE

<b>Problema</b>	<b>Soluzione</b>
Se non è collegata alcuna sorgente audio alla base di alimentazione, il sistema emette un lieve <i>ronzio</i> o <i>brusio</i>	<ul style="list-style-type: none"> <li>• Servendosi di un tester per corrente alternata, assicurarsi che nella presa CA a cui è collegata la base di alimentazione non vi siano contatti invertiti o aperti (fase, neutro e/o terra).</li> <li>• Se si sta usando un cavo di prolunga, effettuare la stessa verifica anche sul cavo.</li> </ul>
Il modulo bassi B1 o B2 è collegato ma i bassi non sono udibili	<ul style="list-style-type: none"> <li>• Utilizzare il cavo a 4 conduttori fornito con il modulo bassi B1/B2.</li> <li>• Assicurarsi che il cavo del modulo bassi B1 o B2 sia collegato al connettore <b>Bass Module Out</b> e che la spina sia inserita saldamente nel connettore.</li> <li>• Provare a utilizzare un altro cavo a 4 conduttori.</li> <li>• Se disponibile, provare a utilizzare un altro modulo bassi B1/B2.</li> </ul>
Il modulo bassi B1 non suona come il resto del sistema	<ul style="list-style-type: none"> <li>• Assicurarsi di utilizzare il cavo a 4 conduttori incluso nella confezione del modulo bassi B1/B2.</li> <li>• Assicurarsi che la griglia del modulo bassi B1 o B2 sia rivolta in avanti verso i musicisti e il pubblico.</li> </ul>
Il gruppo superiore di diffusori di L1® non emette suoni medi/alti	<ul style="list-style-type: none"> <li>• Verificare che il gruppo superiore di diffusori di L1 e le estensioni inferiori siano saldamente collegati ai rispettivi connettori.</li> <li>• Assicurarsi che non vi siano collegamenti piegati o rotti.</li> <li>• Provare a pulire i contatti presenti sulla parte superiore e inferiore dei diffusori con un apposito spray per contatti elettronici.</li> </ul>
Il suono dello strumento musicale o della sorgente audio risulta distorto	<ul style="list-style-type: none"> <li>• Assicurarsi che il LED Signal/Clip non sia di colore rosso fisso. Se così fosse, ridurre il livello di guadagno (con il controllo Trim).</li> <li>• Provare un'altra sorgente o un altro strumento musicale.</li> <li>• Provare la sorgente o lo strumento musicale con un'altra base di alimentazione.</li> </ul>
Il microfono è soggetto a feedback	<ul style="list-style-type: none"> <li>• Orientare il microfono in modo che non punti direttamente verso il corrispondente sistema L1.</li> <li>• Provare un altro microfono.</li> <li>• Provare a riposizionare il diffusore e/o il cantante sul palco.</li> <li>• Allontanare il diffusore dal microfono.</li> <li>• Se si utilizza un processore di effetti vocali, assicurarsi che il problema di feedback non sia causato anche da questo apparecchio.</li> </ul>



## Garanzia limitata e registrazione

Questo prodotto è coperto da una garanzia limitata. I dettagli sulla garanzia limitata sono forniti con il prodotto. È possibile registrare il prodotto online all'indirizzo [www.Bose.com/register](http://www.Bose.com/register) o chiamando il numero (800) 905-1044. La mancata registrazione non incide in alcun modo sui diritti previsti dalla garanzia.

## Accessori

Per informazioni sugli accessori, visitare il sito web all'indirizzo [www.bose.com/livesound](http://www.bose.com/livesound) oppure chiamare il numero (800) 905-0886.

## Informazioni tecniche

### Parti meccaniche

<b>Componente</b>	<b>Dimensioni</b>	<b>Peso</b>
Base di alimentazione:	12,8 cm x 26,2 cm x 69,2 cm (A x L x P)	10,7 kg
Gruppo superiore:	111,0 cm x 9,0 cm x 10,5 cm (A x L x P)	7,4 kg
Estensione inferiore:	100,6 cm x 10,6 cm x 10,5 cm (A x L x P)	3,8 kg
Modulo bassi B1:	38,0 cm x 26,0 cm x 45,0 cm (A x L x P)	11,4 kg
Modulo bassi B2:	59,4 cm x 33,8 cm x 48 cm (A x L x P)	20,41 kg

### Parti elettriche

- Potenza nominale CA:  
100-120 V ~ 50/60 Hz 500 W (USA/Canada); 220-240 V ~ 50/60 Hz 500 W (Europa)
- Corrente di picco:  
32 A @ 120 V ~ 60 Hz (USA/Canada); 61 A @ 230 V ~ 50 Hz (Europa)

<b>Componente</b>	<b>Impedenza</b>
Diffusore L1® modello 1S:	4 Ω
Modulo bassi B1:	8 Ω
Modulo bassi B2:	4 Ω

### Ingressi/uscite audio



- Porta T1 ToneMatch®: Connettore uscita CC/ingresso dati Ethercon/RJ45 per un modulo audio T1 ToneMatch
- Analog Input: Canale di ingresso di linea per cavo con jack TRS da 6,3 mm
- Bass Module Out: Uscita Neutrik® NL4 per collegare uno o due moduli bassi B1

L1 e ToneMatch sono marchi registrati di Bose Corporation negli Stati Uniti e in altri paesi. Tutti gli altri marchi commerciali sono di proprietà dei rispettivi titolari.



# VEILIGHEIDSINFORMATIE






## Lees deze gebruikershandleiding door

Neem de tijd om de instructies in deze gebruikershandleiding zorgvuldig te volgen. De instructies dienen om het systeem juist te configureren en te bedienen en de geavanceerde functies optimaal te benutten. Bewaar deze gebruikershandleiding voor toekomstig gebruik.

-  **WAARSCHUWING:** Om het risico van brand en elektrische schokken te verlagen, mag het systeem niet worden blootgesteld aan regen of vocht.
-  **WAARSCHUWING:** Om het risico van elektrische schokken te verlagen, mag dit systeem niet worden gedemonteerd, tenzij u hiertoe bevoegd bent. Laat onderhoud over aan bevoegd onderhoudspersoneel.



-  De bliksemschicht met pijl in een gelijkzijdige driehoek maakt de gebruiker attent op de aanwezigheid van niet-geïsoleerde, gevaarlijke spanning in de behuizing van het systeem die zo hoog kan zijn dat deze een gevaar vormt voor elektrische schokken.
-  Het uitroepteken in een driehoek, als afgebeeld op het systeem, is bedoeld om de gebruiker attent te maken op belangrijke bedienings- en onderhoudsinstructies in deze gebruikershandleiding.

-  **WAARSCHUWING:** Dit product moet worden aangesloten op een geaard stopcontact.
-  **WAARSCHUWING:** Breng geen wijzigingen aan aan het systeem of de accessoires. Wijzigingen door onbevoegden kunnen de veiligheid, de naleving van de voorschriften en de werking van het systeem in gevaar brengen.
-  **WAARSCHUWING:** Plaats geen open vlammen, zoals brandende kaarsen, op of bij het apparaat.
-  **WAARSCHUWING:** Wanneer de netstekker of aansluiting van een apparaat als stroomonderbreker wordt gebruikt, dient deze stroomonderbreker steeds goed bereikbaar te zijn.
-  **Opmerking:** Het product moet binnenshuis worden gebruikt. Het is niet ontworpen of getest voor gebruik buitenshuis, in recreatievoertuigen of op boten.

 Dit product voldoet aan alle van toepassing zijnde EU-vereisten. De volledige conformiteitsverklaring kunt u vinden op: [www.Bose.com/compliance](http://www.Bose.com/compliance).

### Vul het onderstaande in voor uw administratie.


Dit is een goed moment om de serienummers van uw systeem hier en op de registratiekaart te noteren. U kunt het product online registreren op [www.Bose.com/register](http://www.Bose.com/register) of bellen naar (800) 905-1044. Als u dit niet doet, heeft dit geen invloed op uw garantierechten.

L1® model 1S power stand: \_\_\_\_\_

Bovenste array en onderste verlengstuk: \_\_\_\_\_

B1- of de B2-basmodule: \_\_\_\_\_

## BELANGRIJKE VEILIGHEIDSIINSTRUCTIES

1. Lees deze instructies door.
2. Bewaar deze instructies.
3. Neem alle waarschuwingen in acht.
4. Volg alle instructies.
5. Gebruik dit apparaat niet in de buurt van water.
6. Alleen reinigen met een droge doek.
7. De ventilatieopeningen niet blokkeren. Installeer het apparaat volgens de instructies van de fabrikant.
8. Installeer de apparaten niet in de buurt van warmtebronnen, zoals radiatoren, verwarmingsroosters, kachels of andere apparaten (waaronder versterkers) die warmte produceren.
9. Schakel de veiligheidsfunctie van de gepolariseerde of geaarde stekker niet uit. Een gepolariseerde stekker heeft twee platte pinnen, waarbij de ene breder is dan de andere. Een geaarde stekker heeft twee platte pinnen en een derde, ronde pin voor de aarding. De brede platte pin of de derde, ronde pin is aangebracht voor uw veiligheid. Als de bijgeleverde stekker niet in het stopcontact past, neemt u contact op met een elektricien om het verouderde stopcontact te vervangen.
10. Zorg dat er niet op het netsnoer wordt gestaan of gelopen en dat het niet wordt afgeknelde, met name bij de stekkers en stopcontacten en het punt waar deze uit het apparaat komen.
11. Gebruik uitsluitend randapparatuur/accessoires die worden gespecificeerd door de fabrikant.
12. Uitsluitend gebruiken in combinatie met het door de fabrikant voorgeschreven verrijdbare plateau, het statief, de drievetbeugel of de tafel die bij het apparaat wordt verkocht. Als u een verrijdbaar plateau gebruikt, moet u het apparaat en het plateau voorzichtig verplaatsen zodat deze niet omvallen en letsel veroorzaken. 
13. Verwijder de stekker van dit apparaat uit het stopcontact bij onweer of als het langere tijd niet wordt gebruikt.
14. Laat alle onderhoud over aan bevoegd onderhoudspersoneel. Onderhoud is vereist als het apparaat is beschadigd, als bijv. een elektriciteits snoer of stekker is beschadigd; als er vloeistof in het apparaat terechtgekomen is of voorwerpen in het apparaat zijn gevallen; als het apparaat is blootgesteld aan regen of vocht, niet normaal werkt of is gevallen.
15. Om het risico van brand of elektrische schokken te voorkomen, dient u overbelasting van wandstopcontacten, verlengsnoeren of ingebouwde stopcontacten te voorkomen.
16. Zorg dat er geen voorwerpen of vloeistoffen in het product terechtkomen – aangezien deze in contact kunnen komen met gevaarlijke spanningspunten of kortsluiting kunnen veroorzaken, hetgeen kan leiden tot brand of een elektrische schok.
17. Zie de behuizing van het product voor veiligheidswaarschuwingen.
18. Gebruik de juiste stroombronnen – Sluit het product aan op een geschikte stroombron, als beschreven in de gebruiksaanwijzing of zoals aangegeven op het product.
19. Het systeem mag niet worden blootgesteld aan druipende of spattende vloeistoffen en er mogen geen met vloeistoffen gevulde voorwerpen, zoals vazen, op het systeem worden geplaatst.

### Informatie over producten die elektrische ruis genereren

OPMERKING: Deze apparatuur is getest en voldoet aan de normen voor een digitaal apparaat van klasse A, volgens deel 15 van de FCC-voorschriften.

Deze normen zijn bedoeld om redelijke bescherming te bieden tegen schadelijke storing bij gebruik in een handelsomgeving. Dit apparaat genereert en gebruikt radiofrequente energie en kan deze uitstralen en kan, als het niet wordt geïnstalleerd en gebruikt volgens de gebruiksaanwijzing, schadelijke storing veroorzaken aan radiocommunicatie. Gebruik van dit apparaat in een woonwijk kan schadelijke storing veroorzaken. In dit geval moet de gebruiker de storing op eigen kosten verhelpen.

Wijzigingen die niet uitdrukkelijk zijn goedgekeurd door Bose Corporation kunnen leiden tot het vervallen van de bevoegdheid van de gebruiker om deze apparatuur te gebruiken.

Dit digitale apparaat van klasse A voldoet aan de Canadese ICES-003.

Inschakelstroomstoot: 32 ampère

Inschakelstroomstoot na 5 seconden stroomuitval: 32 ampère

Dit product voldoet aan alle immuniteitsvereisten van EN55103-2 voor een E2 elektromagnetische omgeving.

**INLEIDING****5**

Welkom .....	5
Functies en voordelen .....	5
Productoverzicht .....	6
Aansluitingen en knoppen .....	7

**INSTALLEREN VAN HET SYSTEEM****8**

Lijst met onderdelen .....	8
Uw systeem plaatsen .....	9
De power stand installeren .....	10
Het L1® model 1S-systeem in elkaar zetten .....	10
Aansluiten op het lichtnet .....	11
De B1- of B2-basmodule aansluiten .....	12
Een T1 ToneMatch® -audio-engine toevoegen (optioneel) .....	13
Een tweede B1-basmodule toevoegen (optioneel) .....	14

**BEDIENINGSINFORMATIE****15**

Het niveau van de analoge ingang instellen .....	15
Gebruik van een T1 ToneMatch®-audio-engine en een analoge ingangsbron .....	15
Gebruikersscenario's .....	15
Eén muzikant .....	15
Meerdere muzikanten .....	16
Volledige band .....	17
Dj-evenementen .....	18

**REINIGING EN ONDERHOUD****19**

Uw product onderhouden .....	19
Schoonmaken .....	19
Service .....	19
Problemen oplossen .....	19
Beperkte garantie en registratie .....	21
Accessoires .....	21
Technische informatie .....	21
Mechanisch .....	21
Elektrisch .....	21
Audioingang/-uitgang .....	21

# INLEIDING

---

## Welkom

Hartelijk dank voor het aanschaffen van het Bose® L1® model 1S-systeem met ToneMatch®-poort. Dit systeem is gebaseerd op een revolutionaire nieuwe technologie en biedt de voordelen van een intiem akoestisch concert voor een optreden met versterkers.

Deze gebruikershandleiding biedt gedetailleerde instructies voor installatie en gebruik van het L1-systeem en legt uit hoe u de apparatuur erop aansluit.

Voor verdere informatie over het gebruik van dit systeem, waaronder tips, technieken en veel gestelde vragen, gaat u naar [www.Bose.com/livesound](http://www.Bose.com/livesound) op het internet.

## Funcities en voordelen

- **U hebt de regeling van het geluid in de hand** – net als bij een optreden zonder versterkers hebt u de regeling van het geluid in de hand. U hoeft zich niet langer af te vragen hoe u klinkt voor de andere muzikanten of voor het publiek doordat u hetzelfde hoort wat zij horen.
- **Snel en gemakkelijk te installeren** – Het L1-systeem is gemakkelijk draagbaar en het installeren is een kwestie van minuten, geen uren. Dit bevrijdt u van het tijdrovende en vaak frustrerende werk dat nodig is om conventionele geluidsapparatuur goed te installeren.
- **Sterk verbeterde prestaties** – Vergeleken met het gebruik van conventionele apparatuur biedt dit een spectaculaire verbetering van de prestaties en het genot doordat het gemakkelijker is uzelf en de andere muzikanten te horen.
- **Zorgt voor spanning en emotie** – De verbeterde prestaties van de muzikanten zorgen voor het soort spanning en emotie dat wordt gewaardeerd door muzikkliefhebbers.
- **U hoort wat het publiek hoort** – Voor het eerst horen muzikanten wat hun publiek hoort, waardoor de kans kleiner is dat zij oncomfortabel luid spelen.
- **Muziek is van nature dynamisch** – De zachtste en de hardste passages zijn hoorbaar en genietbaar.
- **Verbeterd het uitzicht** – Er staat minder apparatuur op het podium en er is meer ruimte.
- **Betere weergave van het geluid dan ooit tevoren** – Leden van het publiek melden dat de helderheid en spanning als gevolg van de nauwkeurige weergave van het geluid van elk instrument, en van het horen van het geluid van elk instrument op de juiste plaats op het podium (een contrast met een mono- of zelfs stereomix van alle instrumenten), onvergelijkbaar is met alles wat zij eerder hebben gehoord bij een optreden met versterkers.

## Productoverzicht

Het L1® model 1S-systeem met ToneMatch®-poort bestaat uit: de power stand, het onderste verlengstuk, de bovenste array en een B1- of B2-basmodule. Bij het systeem wordt ook een gewatteerde draagtas bijgeleverd voor elk van de onderdelen.

Om het systeem uit te breiden en de prestaties te verbeteren, kunt u het volgende toevoegen:

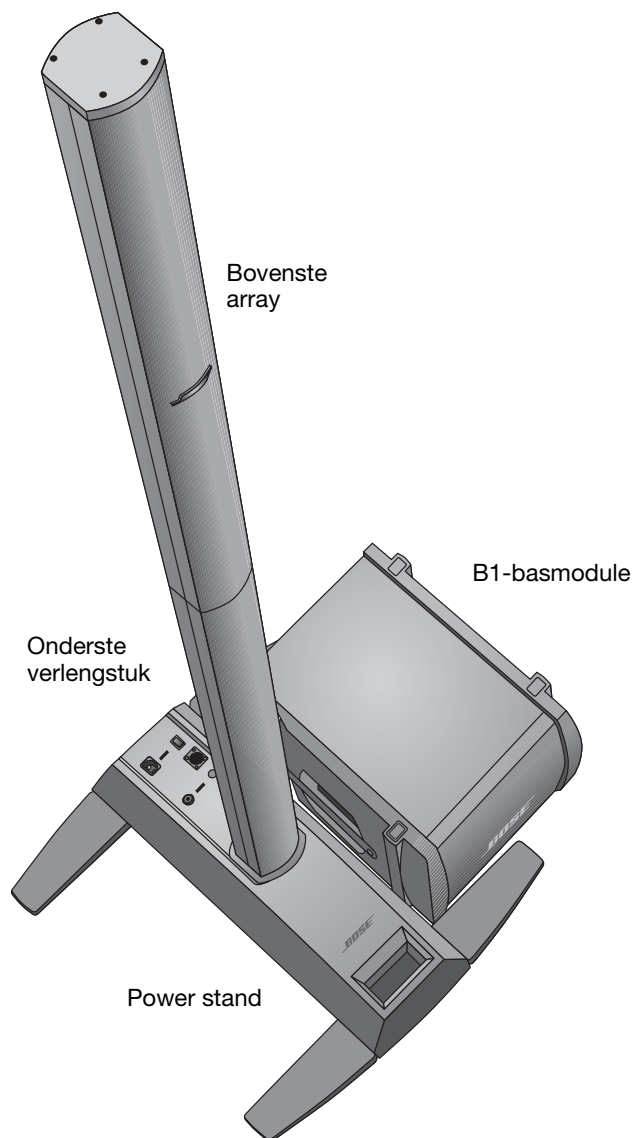
- Een tweede B1-basmodule voor basgitaar, kickdrum of orgel. Elke power stand kan maximaal twee B1-basmodules voeden.
- Een T1 ToneMatch-audio-engine voor digitale signaalverwerking, extra ingangen en bediening via een gebruikersinterface.

Voor een volledige lijst met optionele apparatuur en accessoires gaat u naar: [www.bose.com/livesound](http://www.bose.com/livesound).

### Figuur 1

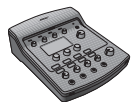
L1 model 1S-systeem en optionele apparatuur

#### L1 model 1S-systeem met ToneMatch-poort en B1-basmodule



#### Optionele apparatuur

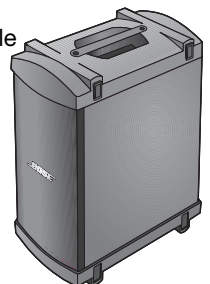
T1 ToneMatch-audio-engine



Extra B1-basmodule



B2-basmodule

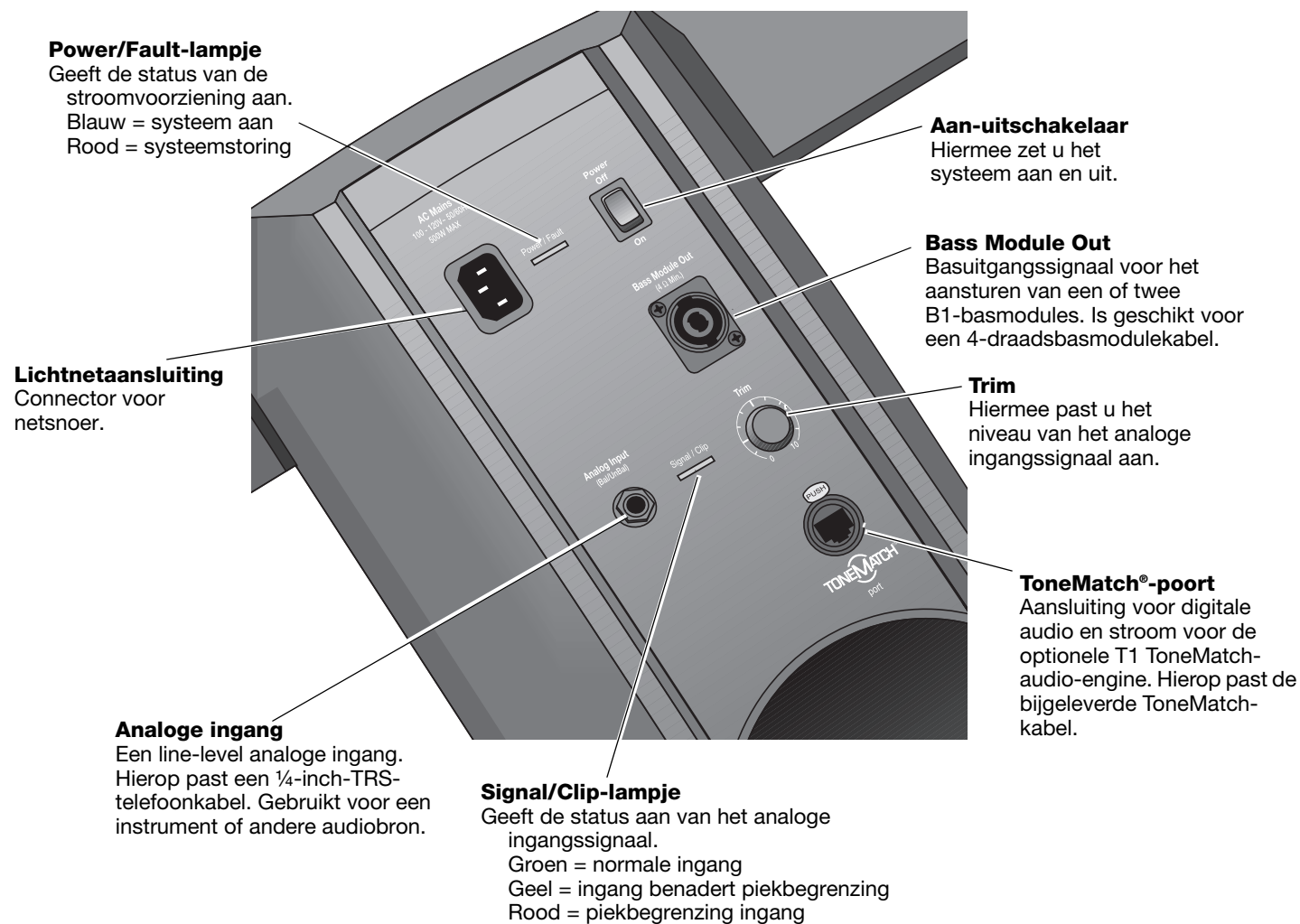


## Aansluitingen en knoppen

Het bovenpaneel van de power stand is voorzien van aansluitpunten en knoppen voor het systeem (Figuur 2).

### Figuur 2

Bovenpaneel van de power stand

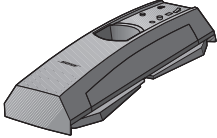
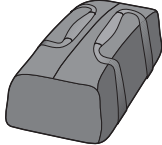


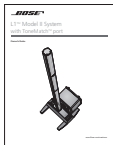

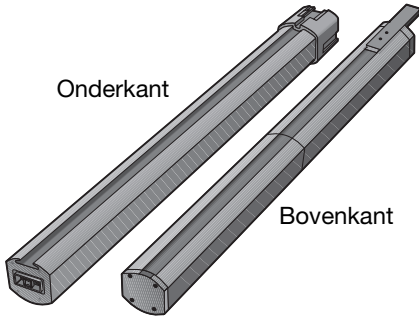
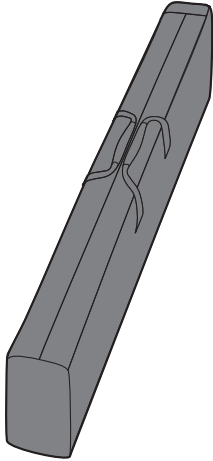







# INSTALLEREN VAN HET SYSTEEM

## Lijst met onderdelen

Het L1®-systeem wordt geleverd in drie dozen. Pak de dozen voorzichtig uit en controleer of u alle op deze pagina vermelde onderdelen hebt.

**WAARSCHUWING:** Houd plastic zakken buiten het bereik van kinderen om verstikkingsgevaar te vermijden.

Doos voor de power stand	Doos voor array en verlengstuk	Doos met B1- of B2-basmodule
<p>L1 power stand</p>  <p>Draagtas</p>  <p>Netsnoer</p>  <p>Beknopte installatie-handleiding</p>  <p>Gebruikers-handleiding</p>  <p>Productregistratiekaart</p> 	<p>Bovenste array en onderste verlengstuk voor L1 model 1S</p>  <p>Onderkant</p> <p>Bovenkant</p> <p>Draagtas</p> 	<p>B1- of B2-basmodule</p>  <p>Hoes</p>  <p>Basmodulekabel (4-draads)</p>  <p>Zelfklevende rubbervoetjes (alleen voor B2)</p>  <p>Gebruikershandleiding B1- of B2-basmodule</p> 



## Uw systeem plaatsen

Het opstellen van de power stand op de juiste plaats vormt een belangrijk onderdeel van de installatie van dit product.

Het bepalen van de beste locatie voor uw uitvoering is afhankelijk van verscheidene factoren.

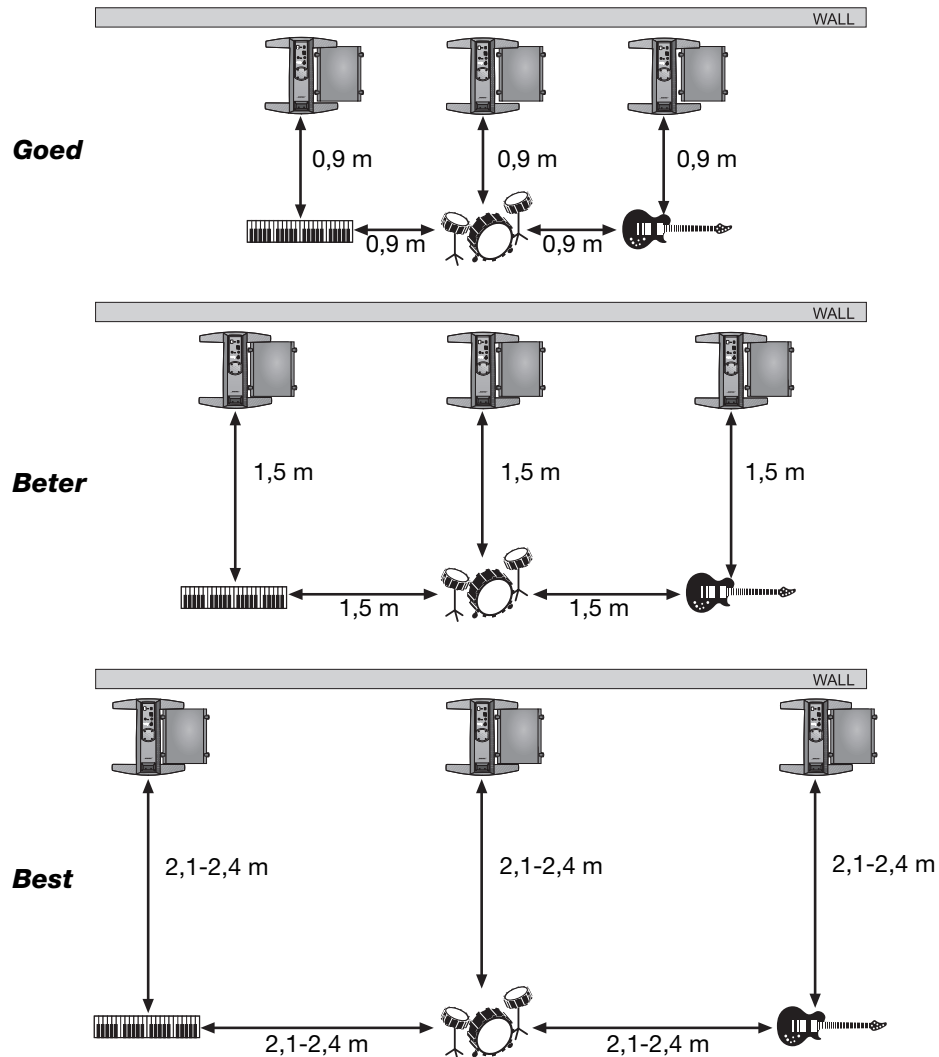
- Grootte van het podium
- Aantal muzikanten
- Gedeeld systeem (een T1 ToneMatch®-audio-engine en meerdere instrumenten toevoegen)

De volgende richtlijnen helpen u bij het opstellen voor een concert of show.

- Stel het systeem op op het achterste deel van het podium.
- Plaats het systeem zo mogelijk direct achter de muzikant(en).
- Als u deel uitmaakt van een groep, ga dan niet te dicht op elkaar staan. Laat enige ruimte, bij voorkeur 2,1-2,4 m), tussen u en het L1®-systeem en een andere muzikant. Hierdoor kan het geluid zich rond de artiesten wikkelen en vanaf de aangrenzende oppervlakken van de ruimte weerkaatsen, zodat het geluid de hele ruimte vult en beter klinkt.

**Figuur 1**

Aanbevolen opstellingen

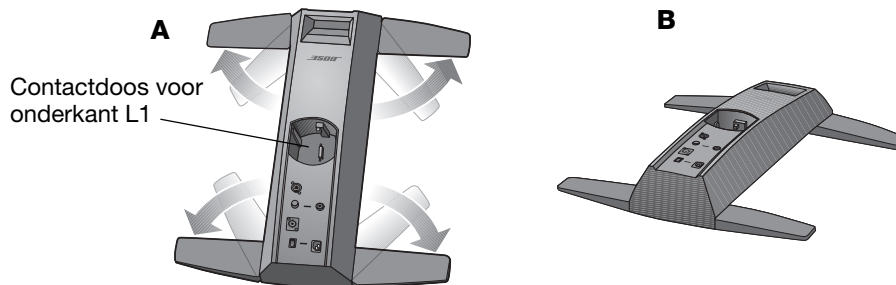


## De power stand installeren

1. Houd de power stand verticaal op de vloer (Figuur 2A), neem één poot vast zwenk deze zo ver mogelijk naar buiten. De andere poten bewegen automatisch mee naar buiten. **De poten moeten volledig openstaan voordat u het verlengstuk in de power stand kunt steken.**
2. Leg de power stand plat op de vloer in de gewenste positie (Figuur 2B).

**Figuur 2**

De power stand op de vloer plaatsen



**WAARSCHUWING:** Het volledig gemonteerd systeem mag NIET als één geheel worden verplaatst. Dit kan leiden tot persoonlijk letsel en/of schade aan het product. Plaats de power stand op de vloer op de gekozen plaats voordat u het systeem monteert.

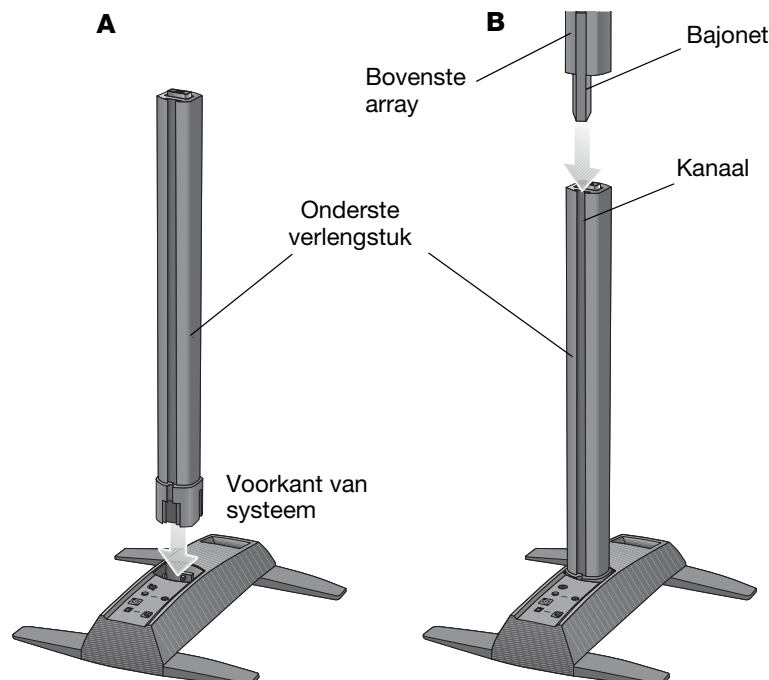
## Het L1® model 1S-systeem in elkaar zetten

Deze procedure vermeldt hoe u de luidsprekergedeelten in de power stand installeert. Als u van plan bent de T1 ToneMatch®-audio-engine op het L1 model 1S-systeem te monteren, raadpleegt u 'Een T1 ToneMatch®-audio-engine toevoegen (optioneel)' op pagina 13 voordat u de bovenste array van de luidspreker installeert.

1. Houdt het onderste verlengstuk zo dat de beschermplaat naar voren wijst en steek het in de power stand (Figuur 3). Zorg dat u het volledig in de contactdoos steekt om stabiliteit en een goede aansluiting te waarborgen.
2. Lijn de bajonet op de bovenste array uit met het kanaal op de achterkant van de onderkant en laat de bovenkant op de onderkant zakken tot deze niet meer uitsteekt (Figuur 3B).

**Figuur 3**

Het systeem installeren

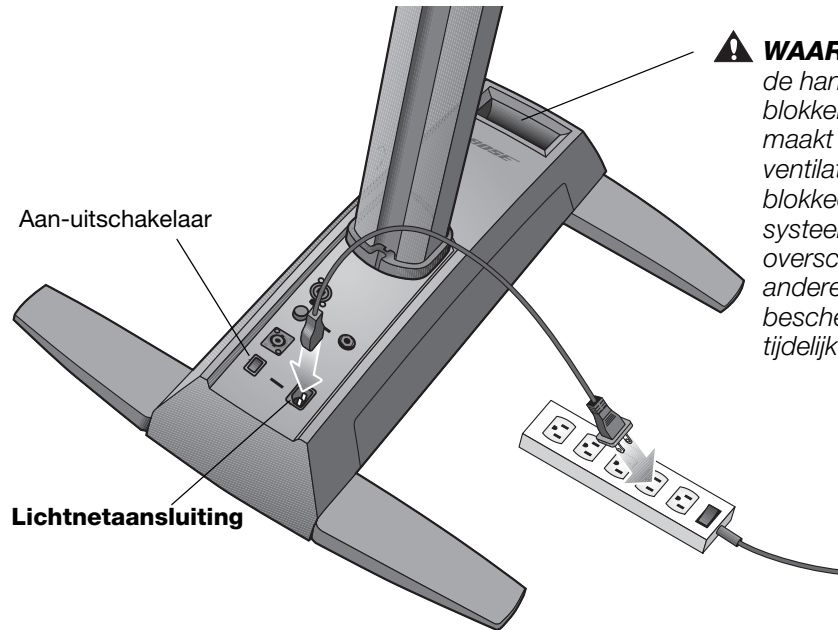


## Aansluiten op het lichtnet

1. Zorg dat de aan-uitschakelaar uitstaat.
2. Sluit een uiteinde van het netsnoer aan op de **AC Mains**-connector op de power stand.
3. Sluit het andere uiteinde aan op een werkend stopcontact (Figuur 4).

**Figuur 4**

Lichtnetaansluitingen



**WAARSCHUWING:** U mag de handgreepopening NIET blokkeren of afdekken. Deze maakt deel uit van het ventilatiesysteem. Als u deze blokkeert, kan het L1®-systeem oververhit raken, overschakelen naar een andere temperatuur-beschermingsmodus en tijdelijk worden uitgeschakeld.

**WAARSCHUWING:** Bose adviseert om een overspanningsbegrenzer van goede kwaliteit te gebruiken voor alle elektronische apparatuur. Spanningsschommelingen en stroompieken kunnen elektronische componenten in welk systeem dan ook beschadigen. Een overspanningsbegrenzer van goede kwaliteit, die het merendeel van de storingen als gevolg van spanningspieken kan elimineren, kunt u kopen in elektronikawinkels.

## De B1- of B2-basmodule aansluiten

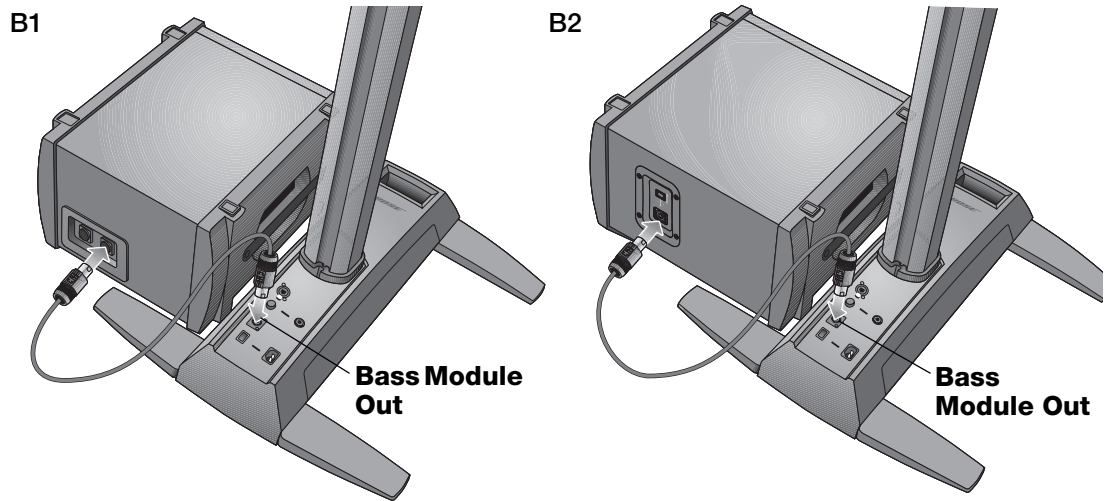
U kunt de B1- of B2-basmodule verticaal of horizontaal op de vloer plaatsen. Deze past precies tussen de poten van de power stand.

1. Sluit een uiteinde van de kabel van de B1- of B2-basmodule aan op de basaansluitpunten. Draai de stekker naar rechts om deze vast te zetten. Bij het vergrendelen hoort u normaal een zachte klik.
2. Sluit het andere uiteinde van de kabel aan op de **Bas Module Out**-connector van de power stand. Draai de stekker naar rechts om deze vast te zetten.

🎵 **Opmerking:** Om een B1- of B2-kabel los te koppelen, schuift u het metalen lipje op de stekker naar achteren, draait u de stekker naar links en trekt u deze uit de connector.

**Figuur 5**

B1- en B2-basmodules



### ⚠️ WAARSCHUWINGEN:

- Er mag geen andere basmodule op de power stand worden aangesloten dan de B1 of B2.
- Vervang de bijgeleverde kabel NIET door een 2-draadsluidsprekerkabel. Gebruik uitsluitend de bijgeleverde 4-draadskabel voor de B1-basmodule om de B1-basmodule op de power stand aan te sluiten. De power stand gebruikt de signalen op twee van de draden om automatisch te detecteren hoeveel B1- of B2-basmodules er zijn aangesloten.
- Een B1- of B2-basmodule mag NIET op twee power stands tegelijk worden aangesloten.

## Een T1 ToneMatch®-audio-engine toevoegen (optioneel)

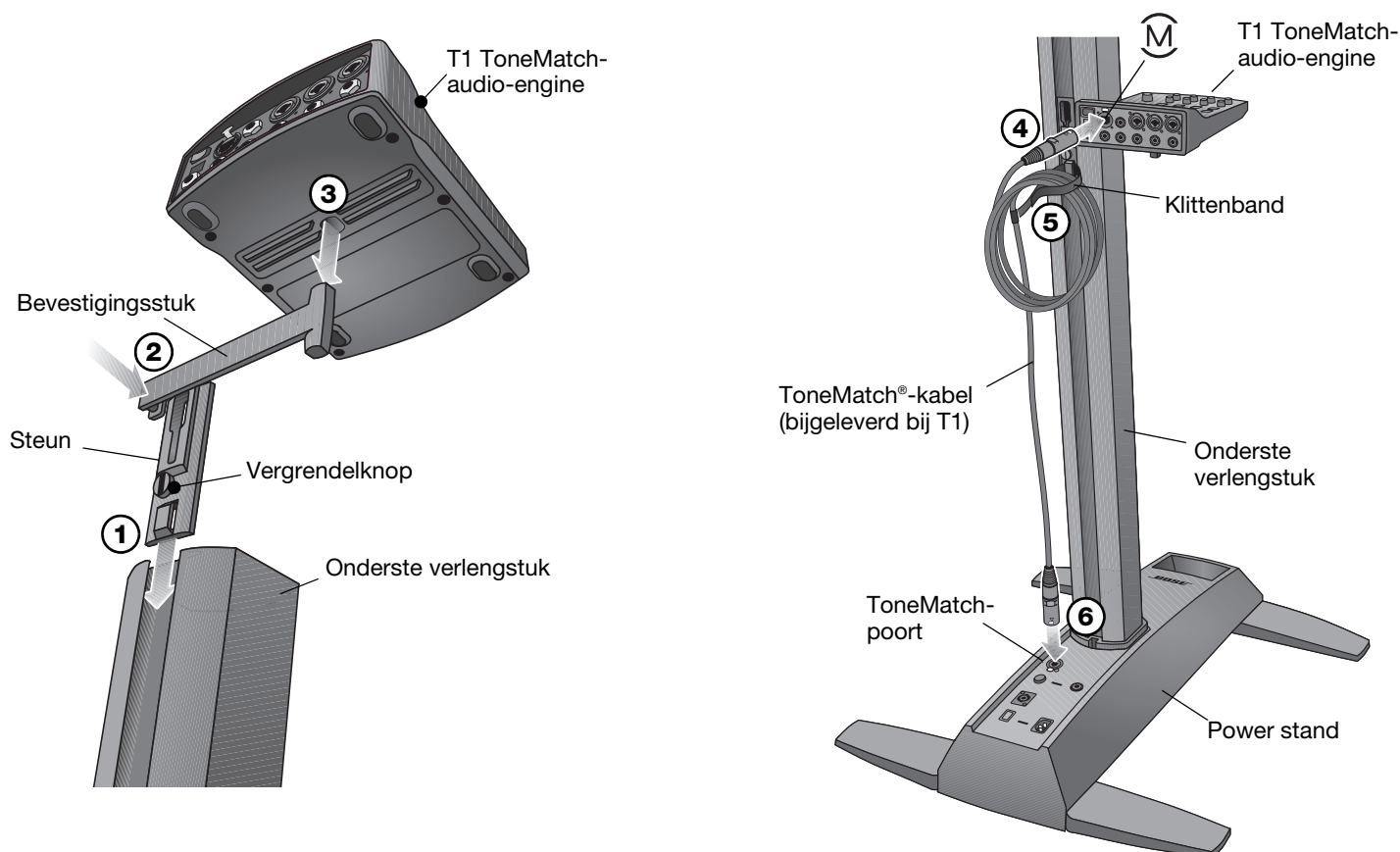
De T1 ToneMatch®-audio-engine biedt extra ingangs-/uitgangsmogelijkheden voor uw systeem, plus digitale signaalverwerking om de manier waarop u klinkt aan te passen. De audio-engine wordt geleverd met hardware om deze te monteren aan de linker- of rechterkant van het onderste verlengstuk.

🎵 **Opmerking:** De audio-engine wordt gemonteerd op het onderste deel van de luidspreker. Het bovenste deel moet worden verwijderd voordat u deze procedure begint.

1. Schuif de steun in het kanaal aan de achterkant van het onderste verlengstuk en draai de knop naar rechts om deze vast te zetten. (Figuur 6).
2. Steek het bevestigingsstuk in de opening in de steun en duw het omlaag.
3. Plaats de T1 op het bevestigingsstuk als afgebeeld.
4. Sluit een uiteinde van de ToneMatch-kabel (bijgeleverd bij de audio-engine) aan op de ToneMatch-uitgangspoort (M) op de T1.
5. Bevestig de kabel aan de steun met behulp van de klittenband.
6. Sluit het andere uiteinde van de kabel aan op de ToneMatch-poort op de power stand.

**Figuur 6**

De T1 monteren



## Een tweede B1-basmodule toevoegen (optioneel)

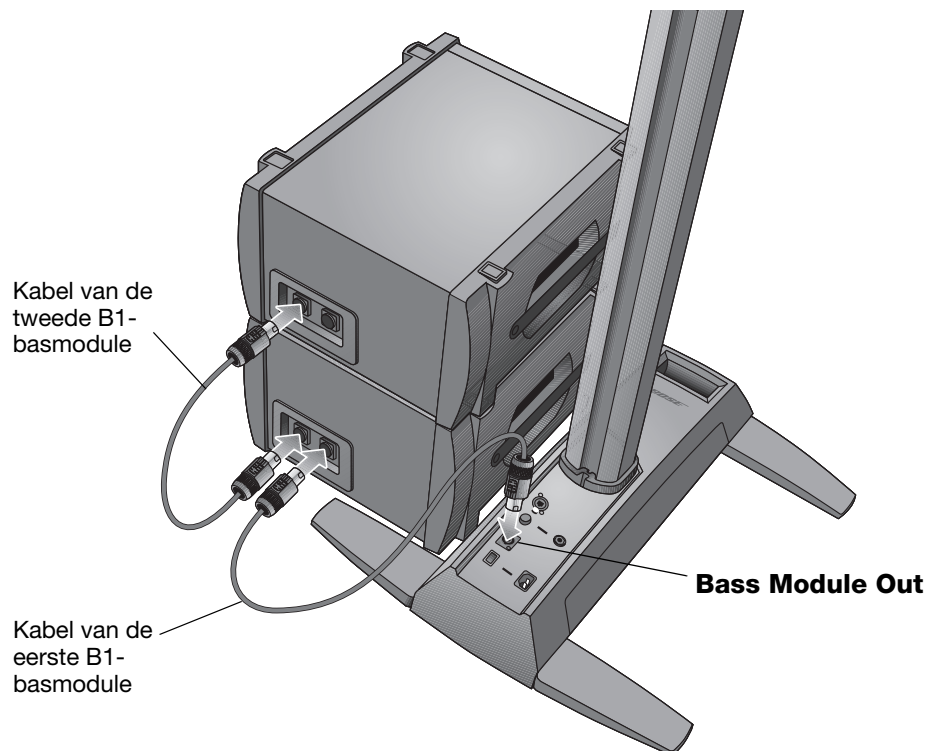
De basmodule-uitgang van de power stand kan een of twee B1- basmodules aansturen. Wanneer u deze horizontaal plaatst, zijn de modules stapelbaar (Figuur 7).

**⚠ WAARSCHUWING:** Sluit niet meer dan twee B1-basmodules aan op de **Bass Module Out**-connector op de power stand. Wanneer er meer dan twee B1-basmodules worden aangestuurd vanuit deze uitgang wordt de versterker verkeerd belast, wat ertoe leidt dat het systeem niet optimaal werkt.

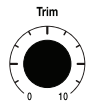
1. Sluit de eerste B1 aan op de **Bass Module Out**-connector op de power stand.
2. Sluit een uiteinde van de tweede B1-kabel aan op de ongebruikte connector van de eerste B1. Sluit het andere uiteinde van de kabel aan op een van de connectors van de tweede B1.

### Figuur 7

Installatie van twee B1-basmodules



## Het niveau van de analoge ingang instellen



Wanneer u een audiobron aansluit op **Analog Input** volgt u deze stappen om de **Trim**-knop van de ingang bij te stellen.

1. Zet de **Trim**-knop op de power stand in de 0 (nul)-stand.
2. Sluit de audiobron aan op **Analog Input**.
3. Stel het volume van de audiobron in op het gewenste niveau.
4. Tijdens het afspelen van de bron verhoogt u het **Trim**-niveau tot het **Signal/Clip**-lampje groen of geel oplicht.
5. Als het **Signal/Clip**-lampje rood oplicht, verlaagt u het **Trim**-niveau zou dat het alleen groen of geel oplicht.

## Gebruik van een T1 ToneMatch®-audio-engine en een analoge ingangsbron

Het L1® model 1S-systeem kan werken met zowel een T1 ToneMatch®-audio-engine als een analoge audiobron die is aangesloten op de power stand. Denk er echter aan dat het volume van de audio-engine en de analoge audiobron afzonderlijk worden bijgesteld.

- De **Trim**-knop van de power stand heeft alleen invloed op het volume van de analoge audiobron die is aangesloten op **Analog Input**. Het **Signal/Clip**-lampje geeft daarom alleen de status aan van het analoge ingangssignaal.
- De T1 ToneMatch-audio-engine is voorzien van een **Trim**-knop en een Signal/Clip-lampje voor elke ingang, een **Volume**-knop voor elk uitgangskanaal en een **Master**-volumeknop waarmee het niveau van de ToneMatch-uitgang die naar de power stand wordt gezonden, wordt aangepast. Deze knoppen hebben geen effect op het signaal dat aan **Analog Input** wordt toegevoerd.

## Gebruikersscenario's

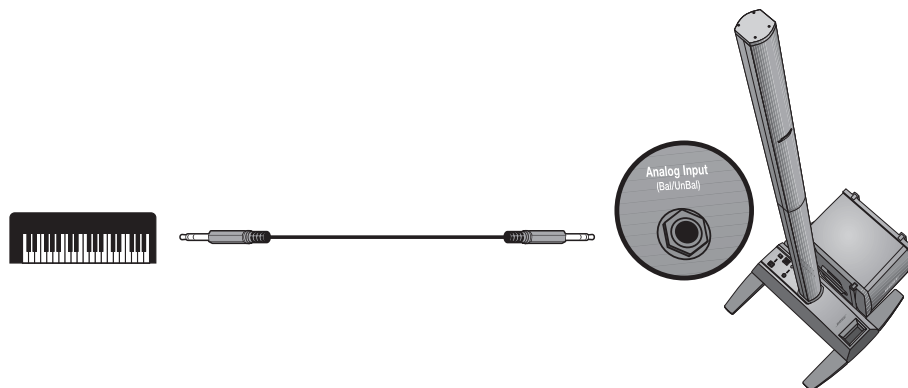
Er zijn vele manieren om dit systeem te installeren en te gebruiken met of zonder de T1 ToneMatch-audio-engine. De volgende pagina's tonen voorbeelden van enkele typische gebruikersscenario's. Bij gebruik van de T1 ToneMatch-audio-engine raadpleegt u de gebruikershandleiding voor meer informatie over het installeren en bedienen.

### Eén muzikant

Een solomuzikant kan een enkel instrument spelen via het L1 model 1S-systeem (Figuur 1). Een solomuzikant kan ook een instrument spelen en een microfoon gebruiken voor zang (Figuur 2 op pagina 16).

#### Figuur 1

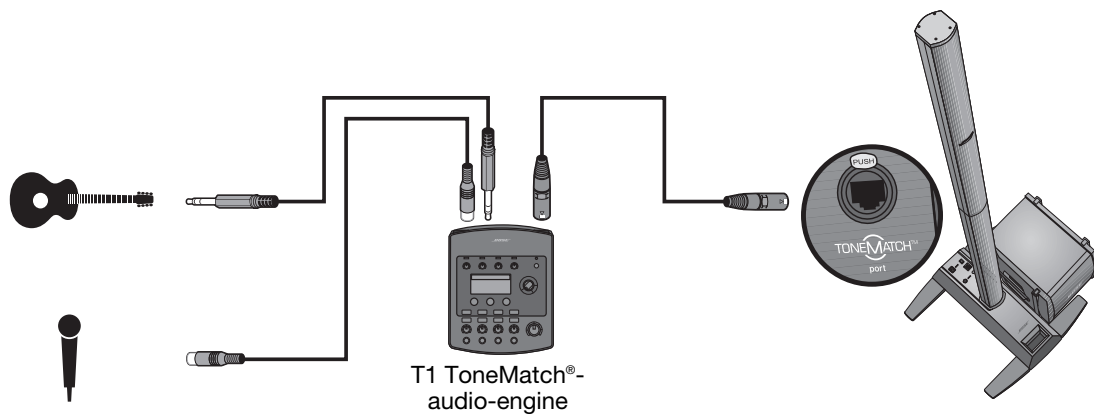
Enkel systeem met keyboard



## BEDIENINGSINFORMATIE

**Figuur 2**

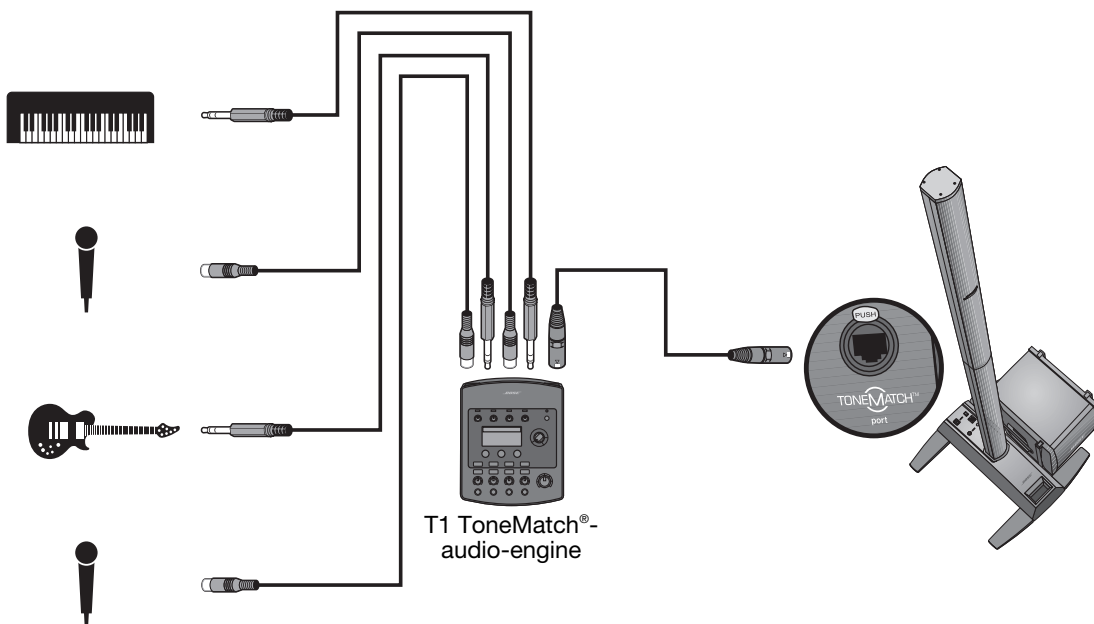
Enkel systeem met gitaar en  
microfoon

**Meerdere muzikanten**

In dit scenario zingt en speelt een keyboard-gitaarduo via een enkele T1 ToneMatch-audio-engine en een L1®-systeem.

**Figuur 3**

Enkel systeem met  
meerdere instrumenten en  
een T1 ToneMatch-audio-  
engine



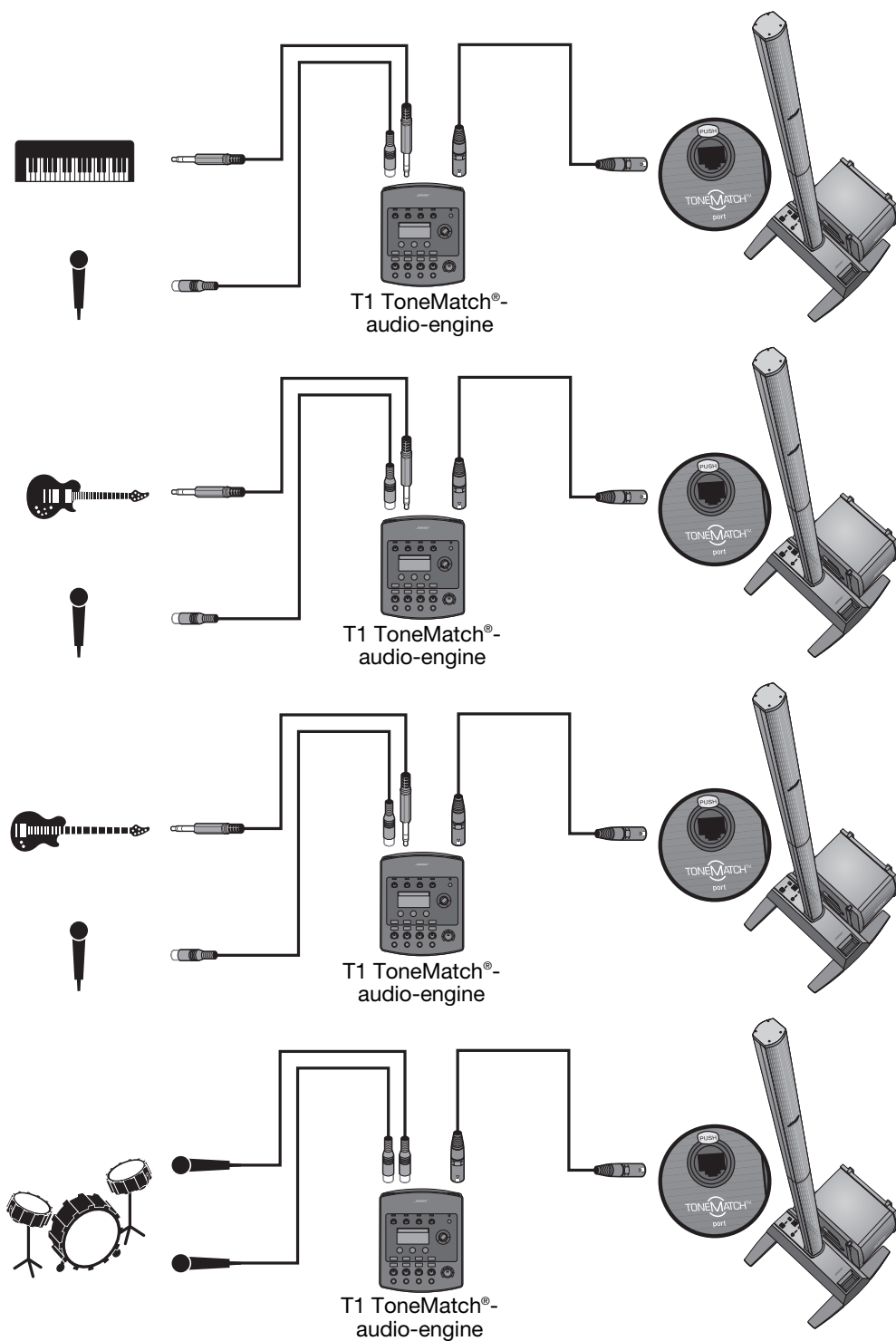


## Volledige band

Een scenario met een volledige band wordt opgebouwd rond meerdere T1 ToneMatch®-audio-engines en L1®-systemen. Elke muzikant speelt en zingt via een enkele T1 ToneMatch-audio-engine en een enkel L1-systeem.

**Figuur 4**

*Meerdere systemen, elk met een T1 ToneMatch-audio-engine*

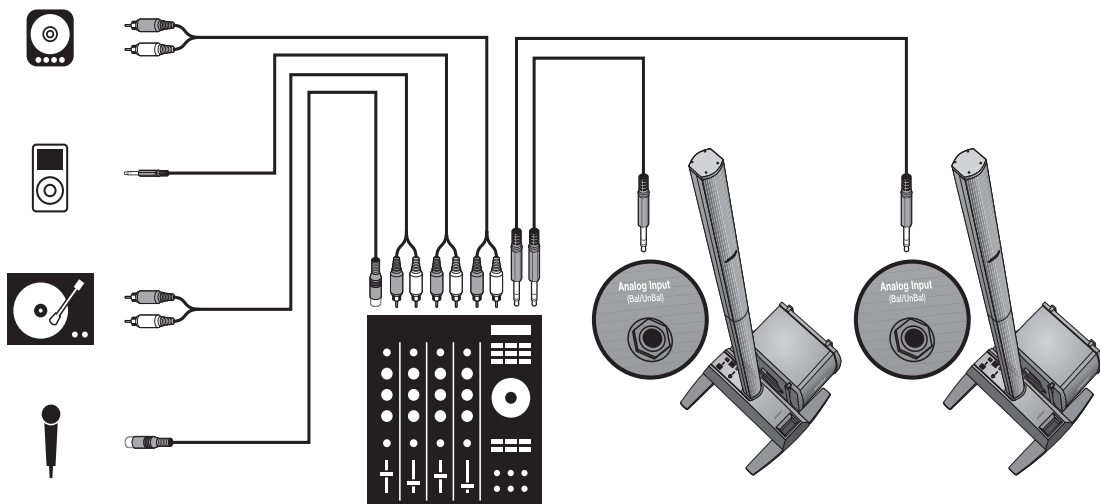


## Dj-evenementen

Dj's gebruiken vele typen ingangsbronnen (cd-speler, draaitafel, mp3-speler, enz.) die zijn aangesloten op een mengpaneel. In dit scenario kunnen twee mengpaneeluitgangen aan twee L1®-systemen worden toegevoerd voor stereogeluid.

### Figuur 5

*Twee systemen, een mixer en ingangapparaten*



**Uw product onderhouden****Schoonmaken**

- Maak de productbehuizingen uitsluitend schoon met een zachte, droge doek.
- Gebruik geen oplosmiddelen, chemicaliën of schoonmaakproducten die alcohol, ammoniak of schuurmiddelen bevatten.
- Gebruik geen sprays in de buurt van het product en mors geen vloeistoffen in de openingen.
- Zo nodig kunt u het rooster van de L1®-luidspreker voorzichtig stofzuigen.

**Service**

Als u hulp nodig hebt bij het oplossen van problemen kunt u contact opnemen met het Live Music Customer Service Product and Technical Support Team van Bose® op (877) 335-2673 of naar support gaan op [www.Bose.com/livesound](http://www.Bose.com/livesound).

**Problemen oplossen**

Als u problemen ondervindt bij het gebruik van dit product kunt u de volgende oplossingen proberen. Als u het probleem nog steeds niet kunt oplossen, belt u naar het Live Music Product and Technical Support Team van Bose® op (877) 335-2673 om een afspraak te maken.

**Aanbevolen hulpmiddelen bij het oplossen van problemen**

- Draagbare voltmeter
- XLR en kabels met ¼-inch-telefoonstekkers
- Kabeltester
- 4-draadskabel voor B1-basmodule
- Spanningzoeker
- Reservenetsnoer

<b>Probleem</b>	<b>Wat te doen</b>
Het systeem is aangesloten op het stopcontact, de aan-uitschakelaar staat aan, maar het aan-uitlampje brandt niet	<ul style="list-style-type: none"> <li>• Controleer of het stopcontact werkt. Kijk of een lamp of ander apparaat wel werkt als u dit op hetzelfde stopcontact aansluit of test het stopcontact met een spanningszoeker.</li> <li>• Controleer of de netstekker van de power stand volledig in het stopcontact zit.</li> </ul>
Het aan-uitlampje brandt (groen), maar er is geen geluid	<ul style="list-style-type: none"> <li>• Controleer of de volumeregelaar op het instrument niet op minimum staat.</li> <li>• Controleer of de <b>Trim</b>-knop op de power stand niet op minimum staat.</li> <li>• Controleer of de connector van het instrument is aangesloten op de <b>Analog Input</b>-aansluiting.</li> <li>• Sluit het instrument met een andere kabel aan op de power stand.</li> <li>• Sluit het instrument aan op een andere versterker om te controleren of het instrument werkt.</li> </ul>
Het aan-uitlampje is rood terwijl de power stand aanstaat	<ul style="list-style-type: none"> <li>• Neem contact op met Bose Live Music Customer Support op (877) 335-2673 voor hulp.</li> </ul>
De stroomonderbreker blijft afslaan.	<ul style="list-style-type: none"> <li>• Als er meer dan één power stand wordt aangesloten op dezelfde stroomgroep schakelt u deze niet op hetzelfde moment in. Elke power stand heeft een inschakelstroomstoot van ongeveer 32 ampère bij het aanzetten.</li> <li>• Als er meer dan drie power stands zijn aangesloten op een enkele stroomgroep van 15 ampère sluit u enkele systemen aan op een andere stroomgroep. Elke power stand kan 5 ampère of meer verbruiken wanneer deze langdurig op hoge volumes speelt.</li> </ul>

## REINIGING EN ONDERHOUD

<b>Probleem</b>	<b>Wat te doen</b>
Wanneer er niets op de power stand is aangesloten, is er een licht <i>gebrom</i> of <i>gezoem</i> te horen	<ul style="list-style-type: none"> <li>• Test het stopcontact waarop de power stand is aangesloten met een spanningzoeker op omgekeerde of open contacten (spanningvoerend, neutraal en/of aarde).</li> <li>• Als u een verlengsnoer gebruikt, dient u het snoer op dezelfde manier te testen als hierboven is beschreven.</li> </ul>
De B1- of B2-basmodule is aangesloten maar er is geen basgeluid te horen	<ul style="list-style-type: none"> <li>• Zorg dat u de bijgeleverde 4-draadskabel voor de B1-/B2-basmodule gebruikt.</li> <li>• Controleer of de kabel van de B1- of B2-basmodule is aangesloten op het aansluitpunt <b>Bass Module Out</b> en of de plug van de kabel volledig in de connector is gestoken.</li> <li>• Probeer een andere 4-draadskabel.</li> <li>• Probeer een andere B1- of B2-basmodule, indien beschikbaar.</li> </ul>
De B1-basmodule klinkt uit balans met het systeem	<ul style="list-style-type: none"> <li>• Zorg dat u de 4-draadskabel voor de B1-/B2-basmodule gebruikt die bij de B1-basmodule is geleverd.</li> <li>• Zorg dat het rooster van de B1- of B2-basmodule naar voren gericht is, naar de musici en het publiek toe.</li> </ul>
Er zijn geen midden/hoge tonen hoorbaar uit de bovenste L1 <sup>®</sup> -array	<ul style="list-style-type: none"> <li>• Controleer of de bovenste L1-array en het onderste verlengstuk stevig in de connectors zitten.</li> <li>• Controleer of er geen aansluitingen verbogen of kapot zijn.</li> <li>• Probeer de contacten op de boven- en onderkant van de luidspreker schoon te maken met een speciale schoonmaakspray voor elektronische contacten.</li> </ul>
Geluid uit instrument of audiobron klinkt vervormd	<ul style="list-style-type: none"> <li>• Controleer of het Signal/Clip-lampje niet constant rood is. Als dat zo is, stelt u een lagere trimwaarde in.</li> <li>• Probeer een andere bron of ander instrument.</li> <li>• Probeer de bron of het instrument op een andere power stand.</li> </ul>
De microfoon heeft last van rondzingen	<ul style="list-style-type: none"> <li>• Richt de microfoon zo dat deze niet rechtstreeks naar het bijbehorende L1-systeem gericht is.</li> <li>• Probeer een andere microfoon.</li> <li>• Probeer een andere positie voor de luidspreker en/of de zanger op het podium.</li> <li>• Vergroot de afstand van de luidspreker tot de microfoon.</li> <li>• Als u een processor voor zangeffecten gebruikt, controleert u of deze niet bijdraagt aan het probleem met het rondzingen.</li> </ul>

## Beperkte garantie en registratie

Het product wordt gedekt door een beperkte garantie. Informatie over de garantie is bij het product bijgesloten. Registreer uw producten online op [www.Bose.com/register](http://www.Bose.com/register) of bel (800) 905-1044. Als u dit niet doet, heeft dit geen invloed op uw garantierechten.

## Accessoires

Ga naar [www.Bose.com/livesound](http://www.Bose.com/livesound) of bel (800) 905-0886 voor informatie over accessoires.

## Technische informatie

### Mechanisch

<i>Component</i>	<i>Afmetingen</i>	<i>Gewicht</i>
Power stand:	12,8 cm H x 26,2 cm B x 69,2 cm D	10,7 kg
Bovenste array:	111,0 cm H x 9,0 cm B x 10,5 cm D	7,4 kg
Onderste verlengstuk:	100,6 cm H x 10,6 cm B x 10,5 cm D	7,4 kg
B1-basmodule:	12,8 cm H x 26,2 cm B x 69,2 cm D	11,4 kg
B2-basmodule:	59,4 cm H x 33,8 cm B x 48 cm D	20,41 kg

### Elektrisch

- Stroomvoorziening:  
100-120 V  $\sim$  50/60 Hz 500 W (VS/Canada); 220-240 V  $\sim$  50/60 Hz 500 W (Europa)
- Inschakelstroomstoot:  
32 A bij 120 V  $\sim$  60 Hz (VS/Canada); 61 A bij 230 V  $\sim$  50 Hz (Europa)

<i>Component</i>	<i>Impedantie</i>
L1 <sup>®</sup> model 1S-luidspreker:	4 $\Omega$
B1-basmodule:	8 $\Omega$
B2-basmodule:	4 $\Omega$

### Audioingang/-uitgang



- T1 ToneMatch<sup>®</sup>-poort: Ethercon/RJ45-connector voor gelijkstroomuitgang/gegevensingang voor een T1 ToneMatch-audio-engine
- Analoge ingang: Line-level ingangskanaal voor 1/4-inch-TRS-telefoonstekker
- Bass Module Out: Neutrik<sup>®</sup> NL4-uitgang voor een of twee B1-basmodules

L1 en ToneMatch zijn gedeponeerde handelsmerken van Bose Corporation in de VS en andere landen. Alle handelsmerken zijn het eigendom van hun respectieve eigenaren.

## SÄKERHETSINFORMATION

### Läs bruksanvisningen

Följ anvisningarna i bruksanvisningen noga. Med hjälp av dem kan du installera och använda systemet på rätt sätt och få glädje av alla avancerade funktioner. Spara bruksanvisningen för framtida referens.






-  **VARNING!** Minska risken för brand eller elektriska stötar genom att inte utsätta systemet för regn eller fukt.
-  **VARNING!** Minska risken för brand eller elektriska stötar genom att inte montera isär systemet såvida du inte är kvalificerad för detta. Låt utbildad servicepersonal utföra service.




Symbolen med en pilförsedd blixt inuti en liksidig triangel är avsedd att varna användaren för oisolerad, farlig spänning inuti apparaten. Denna spänning kan vara kraftig nog att ge elektriska stötar.



Utropstecknet inuti en liksidig triangel, på systemet, är avsett att upplysa användaren om att det finns viktiga anvisningar om skötsel och underhåll av systemet i denna handbok.

-  **FÖRSIKTIGHET!** Den här produkten ska anslutas till ett skyddsjordat eluttag.
-  **FÖRSIKTIGHET!** Ändra inte systemet eller tillbehören på något sätt. Otillåtna ändringar kan äventyra säkerheten, efterlevandet av bestämmelser samt systemets prestanda.
-  **FÖRSIKTIGHET!** Tända ljus eller andra föremål med öppna lågor får inte placeras på eller i närheten av produkten.
-  **FÖRSIKTIGHET!** Om produkten kopplas bort från med elsladden eller produktens kontakt, ska det vara lätt att komma åt dessa.
-  **Obs!** Produkten får bara användas inomhus. Den har inte konstruerats eller testats för utomhusbruk eller för användning på båtar eller i husvagnar/husbilar.

 Denna produkt uppfyller alla EU-krav. En fullständig försäkran om överensstämmelse finns på [www.Bose.com/compliance](http://www.Bose.com/compliance).

#### Fyll i uppgifterna nedan och spara dem


De är nu lämpligt att anteckna serienumret för ditt system här och på ditt produktregistreringskort. Du kan registrera dina produkter online på [www.Bose.com/register](http://www.Bose.com/register) eller ringa till (800) 905-1044. Om du inte gör det påverkas inte dina garantianspråk.

Stativet L1® Model 1S: \_\_\_\_\_

Överdelen och underdelen: \_\_\_\_\_

B1- eller B2-basmodul: \_\_\_\_\_

## VIKTIGA SÄKERHETSANVISNINGAR

1. Läs de här anvisningarna.
2. Behåll anvisningarna.
3. Ge akt på alla varningar.
4. Följ alla anvisningar.
5. Använd inte produkten i närheten av vatten.
6. Rengör endast med en torr trasa.
7. Blockera inte ventilationsöppningarna. Installera i enlighet med tillverkarens anvisningar.
8. Installera inte produkten nära en värmekälla (som t.ex. radiator, värmespjäll och spisar) eller annan apparat (inklusive förstärkare) som avger värme.
9. Åsidosätt inte säkerhetsfunktionen i en polariserad eller jordad kontakt. En polariserad kontakt har två flata stift, det ena bredare än det andra. En jordad kontakt har två stift och ett tredje jordat stift. Det breda stiftet och jordstiftet finns där för att öka din säkerhet. Om den medföljande kontakten inte passar i ditt uttag ber du en elektriker om hjälp.
10. Skydda elkabeln så att ingen trampar på den och så att den inte kommer i kläm. Detta är särskilt viktigt vid kontakterna, tillbehörsuttagen och den plats där elsladden kommer ut ur produkten.
11. Använd bara den utrustning/de tillbehör som rekommenderas av tillverkaren.
12. Använd endast apparaten tillsammans med vagnen, stället, stativet, fästet eller bordet som rekommenderas av tillverkaren eller säljs tillsammans med apparaten. Om en vagn används ska du vara försiktig när du flyttar vagnen med produkten så att den inte välter och orsakar skada. 
13. Koppla bort produkten från eluttaget när åskan går eller om den inte ska användas under en längre period.
14. Låt utbildad servicepersonal utföra all service. Underhåll krävs när apparaten skadats på något sätt, t.ex. skada på kabel eller kontakt, vätska har spillts i apparaten eller främmande föremål har hamnat i den, apparaten har utsatts för regn eller fukt, apparaten fungerar inte felfritt eller har tappats.
15. För att förhindra risken för brand eller elektriska stötar ska du undvika att överbelasta eluttag, förlängningssladdar och inbyggda tillbehörsuttag.
16. Låt inga föremål eller vätskor komma in i produkten – De kan komma i kontakt med farliga spänningar eller kortsluta delar, vilket kan orsaka brand eller elektriska stötar.
17. Se de säkerhetsrelaterade markeringarna på undersidan av produktens hölje.
18. Använd rätt typ av strömkällor. Anslut produkten till rätt typ av strömkälla enligt beskrivningen i användarhandboken eller markeringarna på produkten.
19. Apparaten bör inte utsättas för dropp eller stänk, och föremål som är fyllda med någon form av vätska (som exempelvis vaser) får inte placeras på apparaten.

### Information om produkter som genererar elektriska störningar

OBS! Den här utrustningen har testats och befunnits överensstämma med gränsvärdena för digitala enheter av klass A, i enlighet med del 15 i FCC:s bestämmelser. Gränsvärdena är avsedda att ge ett rimligt skydd mot skadliga störningar när utrustningen används i en kommersiell miljö. Den här utrustningen genererar, använder och kan avge radiofrekvensenergi, och om utrustningen inte installeras och används i enlighet med anvisningarna kan den orsaka skadliga störningar i samband med radiokommunikation. Användning av denna utrustning i bostäder kan orsaka störningar som användaren är skyldig att korrigera på egen bekostnad.

Om utrustningen ändras eller modifieras på något sätt som inte uttryckligen har godkänts av Bose Corporation, kan det innebära att användarens rätt att använda den här produkten upphävs.

Denna klass A-produkt uppfyller villkoren enligt ICES-003-villkoren i Kanada.

Initial inkommande strömstyrka: 32 Amp

Inkommande strömstyrka efter avbrott på 5 sekunder: 32 Amp

Denna produkt uppfyller alla villkor enligt EN55103-2 för klassen E2 i elektromagnetiska miljöer.

**INLEDNING****5**

Välkommen .....	5
Funktioner och fördelar .....	5
Produktöversikt .....	6
Anslutningar och kontroller .....	7

**FÖRBEREDA SYSTEMET****8**

Lista över delar .....	8
Placera systemet .....	9
Installera stativet .....	10
Montera L1® Model 1S-system .....	10
Ansluta till nätström .....	11
Ansluta B1- eller B2-basmodulen .....	12
Komplettera med en T1 ToneMatch® audio engine (tillval) .....	13
Lägga till en andra B1-basmodul (tillval) .....	14

**BRUKSINFORMATION****15**

Ställa in den analoga ingångsnivån .....	15
Använda en T1 ToneMatch® audio engine och en analog ingångskälla .....	15
Användarscenarion .....	15
Enskild musiker .....	15
Flera musiker .....	16
Helt band .....	17
DJ-jobb .....	18

**SKÖTSEL OCH UNDERHÅLL****19**

Sköta din produkt .....	19
Rengöring .....	19
Erhålla service .....	19
Felsökning .....	19
Begränsad garanti och registrering .....	21
Tillbehör .....	21
Teknisk information .....	21
Mekanik .....	21
Elektronik .....	21
Ljudingång/utgång .....	21



# INLEDNING

---

## Välkommen

Tack för att du har köpt Bose® L1 Model IS-system med ToneMatch-port. Detta system baseras på ny teknik och ger dig fördelarna vid en intim akustisk konsert och när förstärkare krävs.

I denna bruksanvisning beskrivs inställningar och användarinformation för L1-systemet och förklarar hur du ansluter utrustning till det.

Om du vill ha ytterligare information om hur man använder detta system, inklusive tips, metoder och vanliga frågor, ska du gå till [www.Bose.com/livesound](http://www.Bose.com/livesound) på Internet.

## Funktioner och fördelar

- **Du kontrollerar ljudet** – Precis som vid ett uppförande utan förstärkning är det du som kontrollerar ljudet. Du behöver inte längre undra hur du låter för dina bandmedlemmar eller för publiken, eftersom du hör vad de hör.
- **Snabb och enkel inställning** – L1-systemet är enkelt att bära och kan ställas upp på några minuter och inte timmar. Detta ger dig mer tid för det tidskrävande och ofta frustrerande arbetet att ställa in den vanliga ljudutrustningen korrekt.
- **Dramatiskt förbättrad prestanda** – Jämfört med att använda vanlig utrustning förbättras prestandan och njutningen dramatiskt, eftersom du inte behöver kämpa för att höra dig själv och de andra musikerna lika mycket.
- **Skapar spänning och känsla** – Förbättrad framställning av musikerna skapar den typ av spänning och känsla som värderas högt av musikälskare.
- **Du hör vad publiken hör** – För första gången kan musikerna höra vad deras publik hör, därför är det mindre troligt att de spelar på obekväma ljudnivåer.
- **Musiken är naturligt dynamisk** – Både de mjukaste och de mest intensiva passagera kan höras och uppskattas.
- **Förbättrar ditt uppträdande** – Det är mindre utrustning och mer utrymme på scenen.
- **Ljudåtergivning som aldrig förr** – Personer i publiken rapporterar att tydligheten och spänningen som kommer från att höra den korrekta återgivningen av ljud från varje instrument, och från att höra ljudet av varje instrument från dess position på scenen (istället för en monomix eller till och med stereomix av alla instrument,) inte liknar något annat de har hört förut vid ett uppträdande med förstärkare.

## Produktöversikt

L1® Model 1S-systemet – med ToneMatch®-port består av: stativ, underdel, överdel och en B1- eller B2-basmodul. Med systemet följer en vadderad väska för alla dess delar.

För att utöka ditt system och förstärka prestandan kan du lägga till:

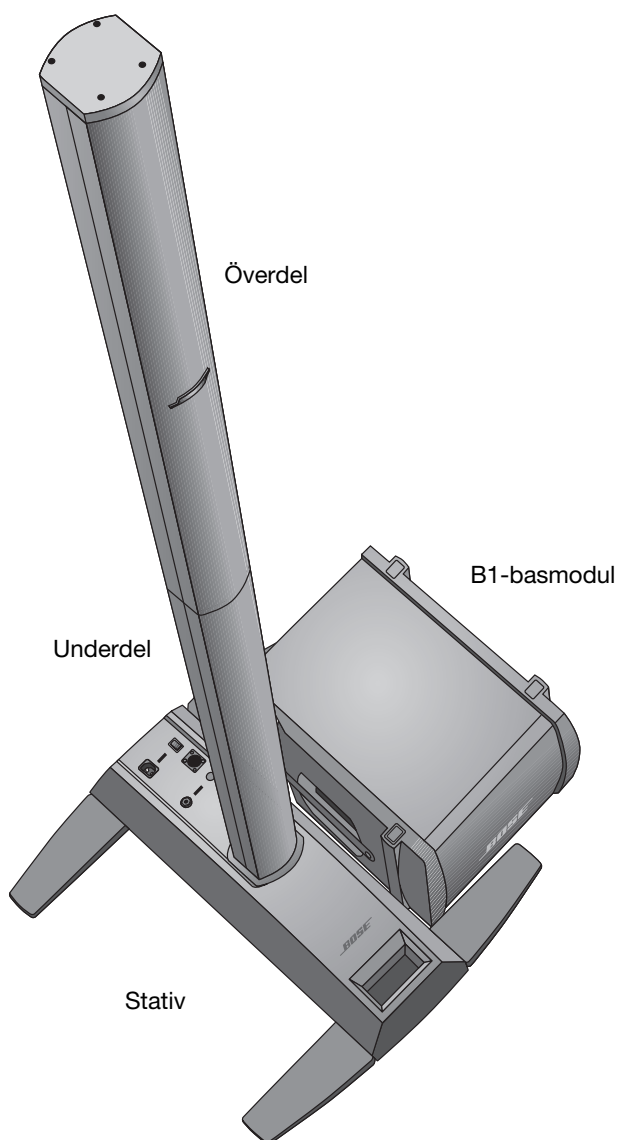
- En andra B1-basmodul för basgitarr, kicktrumma eller orgel. Varje stativ kan driva upp till två B1-basmoduler.
- En A1 ToneMatch audio engine för behandling av digitala kanaler, ytterligare ingångar och användargränssnittskontroll.

För en komplett lista över tillvalsutrustning och tillbehör kan du gå till:  
[www.Bose.com/livesound](http://www.Bose.com/livesound).

### Bild 1

L1 Model 1S-system och tillval

#### L1 Model 1S-system med ToneMatch-port och B1-basmodul

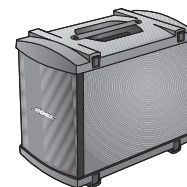


#### Tillvalsutrustning

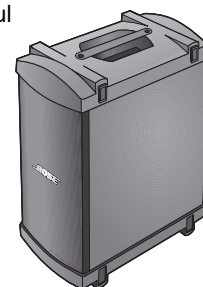
T1 ToneMatch audio engine



Extra B1-basmodul



B2-basmodul

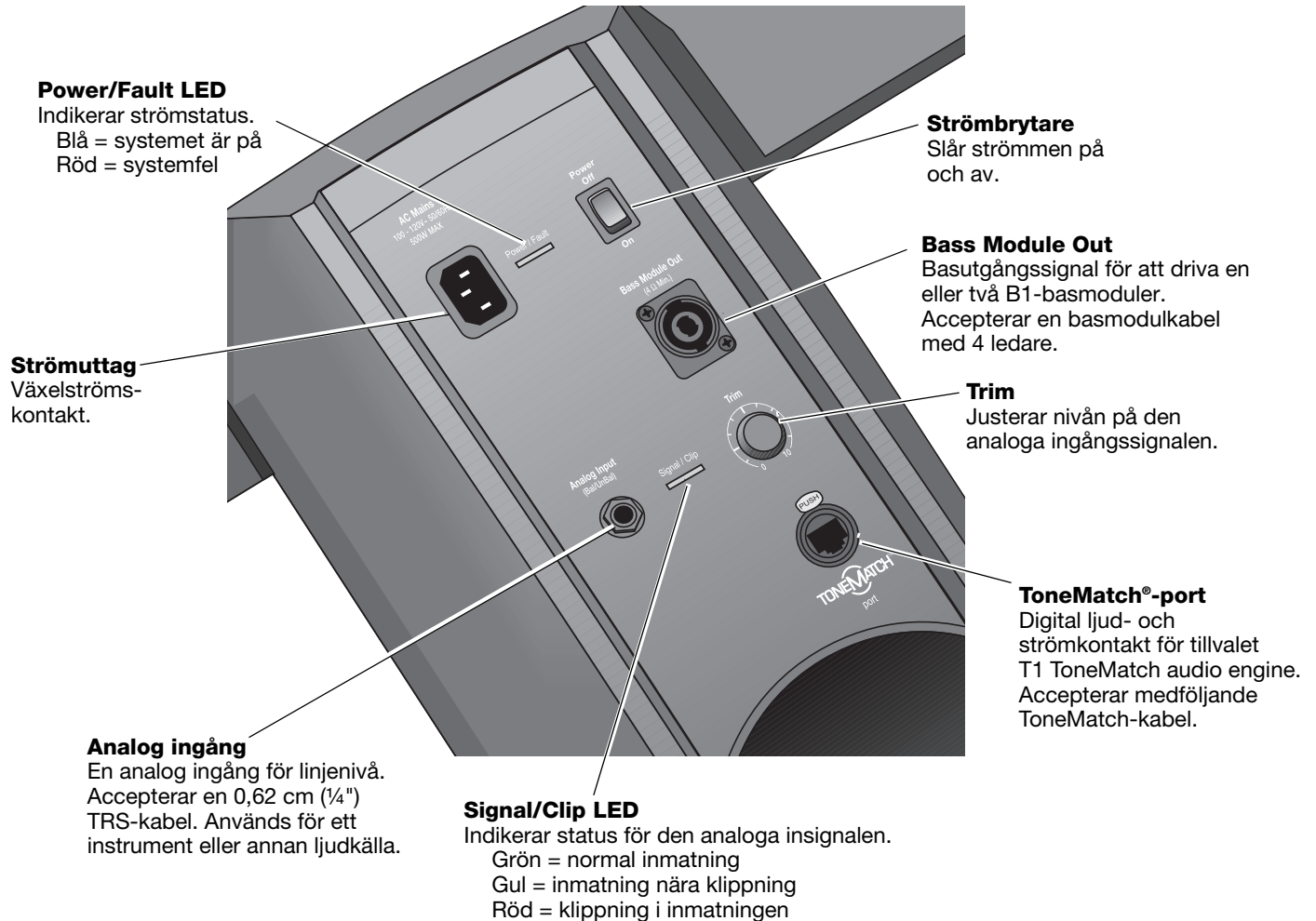


## Anslutningar och kontroller

Den övre panelen på stativet har systemkontakter och kontroller (Bild 2).

### Bild 2

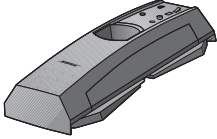
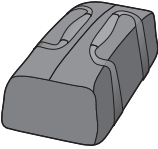




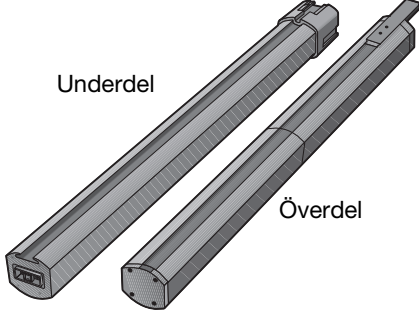
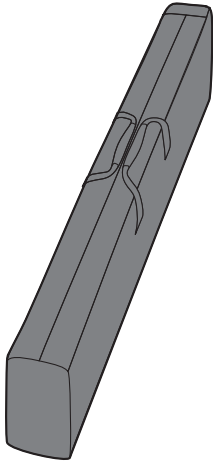


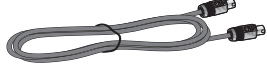


Övre panel på stativ



**Lista över delar**

L1®-systemet levereras i tre kartonger. Packa försiktigt upp kartongerna och kontrollera att du har alla delar som finns med på denna lista.

**⚠ VARNING!** Undvik risk för kvävning genom att se till att plastpåsar hålls utom räckhåll för barn.

Kartong för centralenhet	Delarna och förpackning	B1- eller B2-basmodulkartong
<p>L1-stativ</p>  <p>Bärväska</p>  <p>Elkabel</p>  <p>Snabbguide</p>  <p>Användarhandbok</p>  <p>Produktregistreringskort</p> 	<p>L1 Model 1S över- och underdel</p> <p>Underdel</p>  <p>Överdel</p> <p>Bärväska</p> 	<p>B1- eller B2-basmodul</p>  <p>Lock</p>  <p>Basmodulkabel (fyra ledare)</p>  <p>Självhäftande gummitassar (endast B2)</p>  <p>Bruksanvisning för B1- eller B2-basmodul</p> 

## Placera systemet

Det är en viktig del av inställningarna för denna produkt att placera stativet på rätt plats. Den bästa platsen för stativets prestanda beror på flera saker.

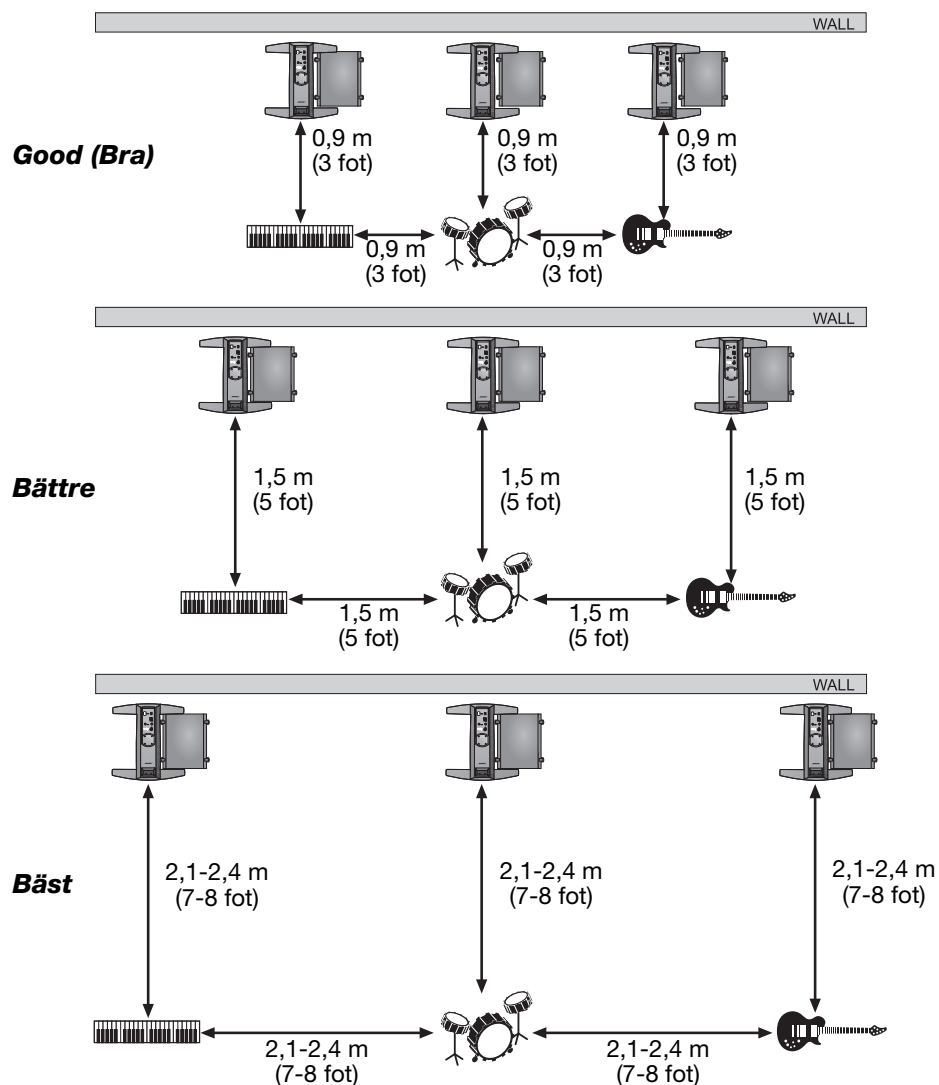
- Storleken på scenen
- Antal uppträdande
- Delat system (lägg till en T1 ToneMatch® audio engine och flera instrument)

Följande riktlinjer hjälper dig med inställningarna för en konsert eller show.

- Ställ upp ditt system på bakre delen av scenen.
- Om det är möjligt ska du placera systemet bakom den (de) som uppträder.
- Om du är med i en grupp ska ni undvika att tränga ihop er på scen. Se till att ha lite avstånd, helst 2,1 - 2,4 m (7 - 8 fot), mellan dig och L1®-systemet och en annan person på scen. Detta gör att ljudet kan svepa runt dem som uppträder och reflekteras mot motstående ytor i rummet, vilket skapar ett mer behagligt och fylligt ljud.

### Bild 1

Rekommendationer för placering

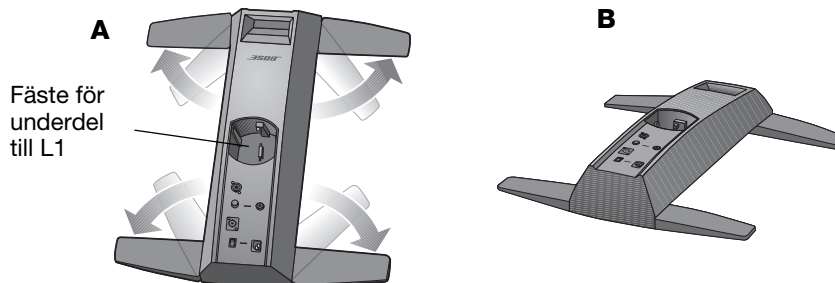


## Installera stativet

1. Håll stativet lodrätt mot golvet (Bild 2), ta tag i ett ben och vrid ut det så långt det går. Observera att de andra benen åker ut automatiskt. **Benen måste vara helt utdragna innan du kan fästa underdelen på stativet.**
2. Lägga stativet platt på golvet i önskad position (Bild 2B).

### Bild 2

Ställa stativet på golvet



**⚠ VARNING!** FLYTTA INTE hela det monterade systemet som en enhet. Detta kan leda till personskada och/eller skada på produkten. Placera stativet på golvet på önskad plats innan du sätter ihop systemet.

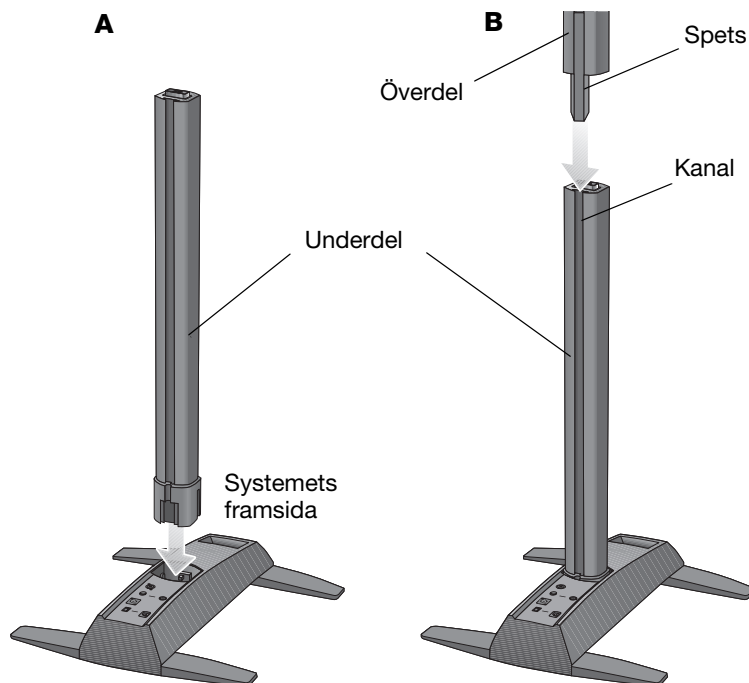
## Montera L1® Model 1S-system

Denna beskrivning visar hur du sätter fast högtalarsektionerna i stativet. Om du tänker montera T1 ToneMatch audio engine på L1 Model II-systemet ska du läsa "Komplettera med en T1 ToneMatch® audio engine (tillval)" på sidan 13 innan du monterar överdelen av högtalaren.

1. Håll underdelen till så att fronten riktas framåt och fäst den i stativet (Bild 3A). Kontrollera att du har fört in den ordentligt i fästet för god stabilitet och bra kontakt.
2. Justera spetsen på överdelen mot kanalen på baksidan av underdelen, och sänk ned överdelen över underdelen tills de sitter tätt emot varandra (Bild 3B).

### Bild 3

Installera systemet

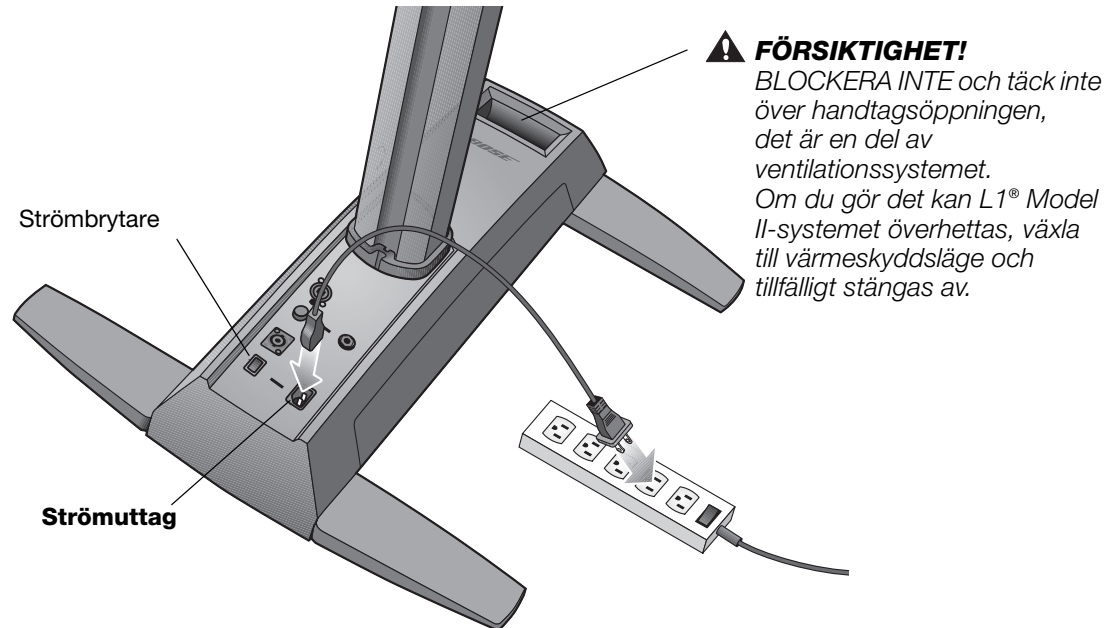


## Ansluta till nätström

1. Kontrollera att strömbrytaren är avslagen.
2. Sätt i en ände av nätsladden i **AC Mains**-kontakten på stativet.
3. Anslut den andra änden till ett inkopplat strömuttag (Bild 4).

### Bild 4

Strömanslutningar



**⚠ FÖRSIKTIGHET!** Bose rekommenderar att en spänningsavledare av hög kvalitet används för all elektronisk utrustning. Spänningsvariationer och -toppar kan skada elektroniska komponenter i alla system. En avledare av hög kvalitet kan eliminera de allra flesta fel orsakade av strömsprång finns att köpa i en elektronikaffär.

## Ansluta B1- eller B2-basmodulen

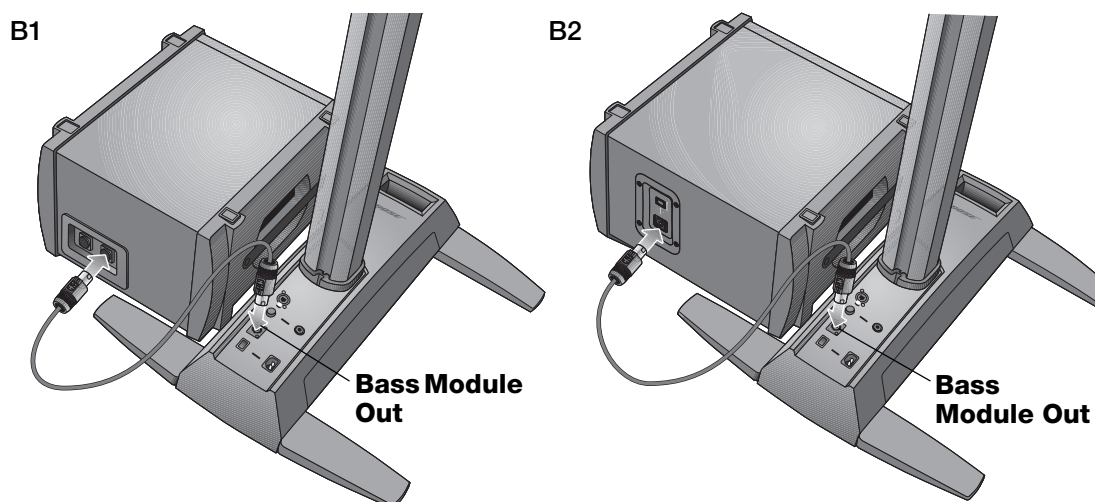
Du kan placera B1- eller B2-basmodulen antingen liggande eller stående på golvet. Den passar precis mellan benen på stativet.

1. Anslut ena änden på B1- eller B2-basmodulens kabel till ett av basuttagen. Vrid kontakten medurs tills den låses på plats. Du bör höra ett litet klick när den låses fast.
2. Anslut kabelns andra ände till **Bass Module Out**-uttaget på stativet. Vrid kontakten medurs tills den låses på plats.

🎵 **Obs!** När du vill koppla bort B1- eller B2-kabeln skjuter du metallfliken på kontakten bakåt, vrider kontakten moturs och drar ut den ur uttaget.

### Bild 5

B1- och B2-basmoduler



### ⚠️ FÖRSIKTIGHETSANVISNINGAR:

- Anslut INTE någon annan basmodul än B1 eller B2 till stativet.
- Ersätt INTE den medföljande kabeln med en högtalarkabel med 2 ledare. Använd bara den medföljande B1-basmodulkabeln med 4 ledare när du ansluter B1-basmodulen till stativet. Stativet använder signalerna från två av ledarna för att automatiskt känna av hur många B1- eller B2-basmoduler som är anslutna.
- Anslut INTE en B1- eller B2-basmodul till två stativ samtidigt.



## Komplettera med en T1 ToneMatch® audio engine (tillval)

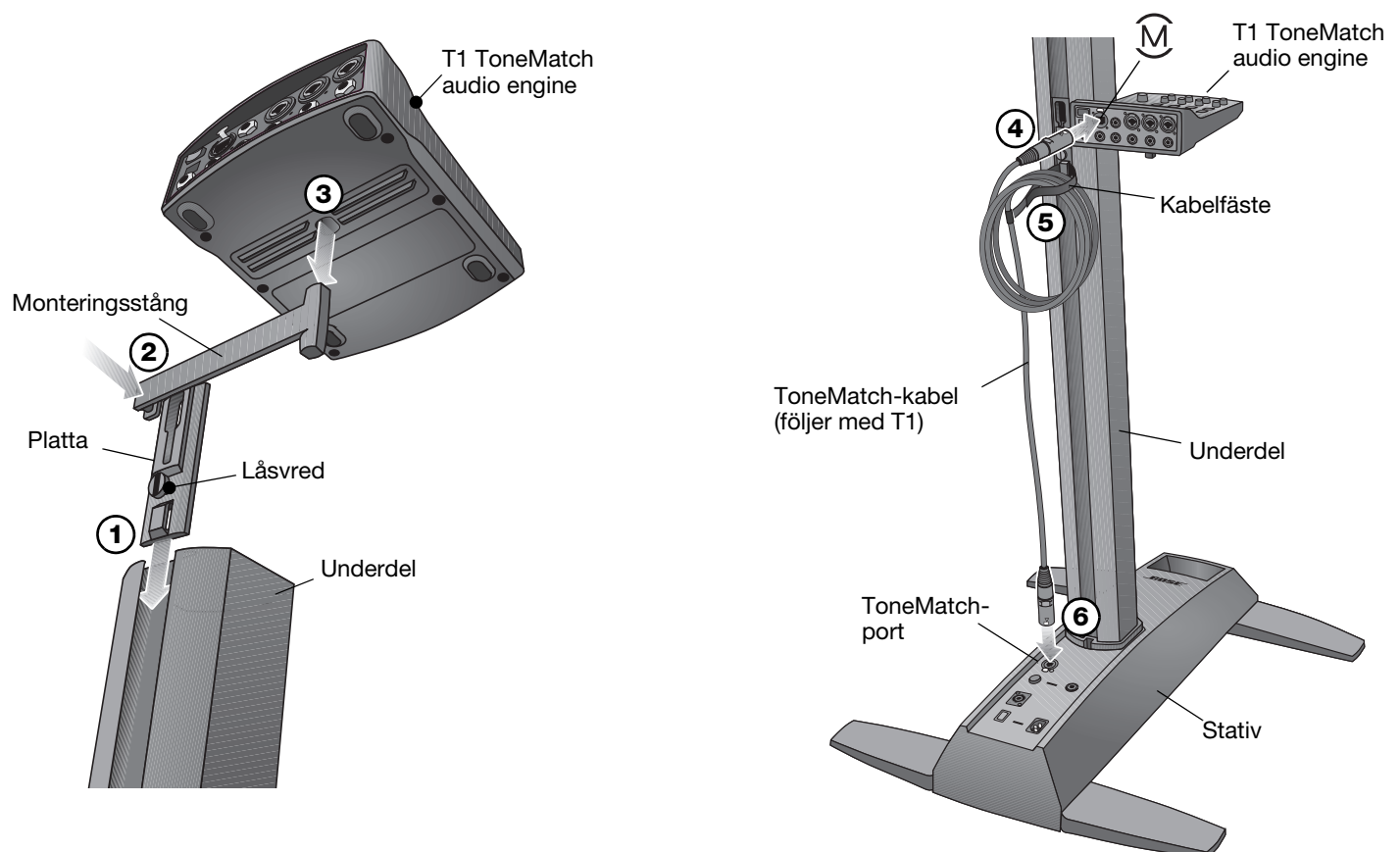
T1 ToneMatch® audio engine ger ytterligare ingång-/utgångsmöjligheter för ditt system, samt behandling av digitala signaler för att anpassa ljudet. Till audio engine medföljer utrustning för montering på höger eller vänster sida av underdelen.

🎵 **Obs!** Audio engine monteras på underdelen av högtalaren och kräver att man tar loss överdelen innan man börjar monteringen.

1. För in plattan i kanalen på underdelen och vrid vredet medurs för att låsa fast det (Bild 6).
2. För in monteringsstången i skåran på plattan och tryck den nedåt.
3. Placera T1 på monteringsstången enligt bilden.
4. Sätt i ena änden av ToneMatch-kabeln (följer med audio engine) i ToneMatch-uttaget (M) på T1.
5. Säkra kabeln mot plattan med kabelfästet.
6. Anslut kabelns andra ände till ToneMatch-uttaget på stativet.

### Bild 6

Montera T1



## Lägga till en andra B1-basmodul (tillval)

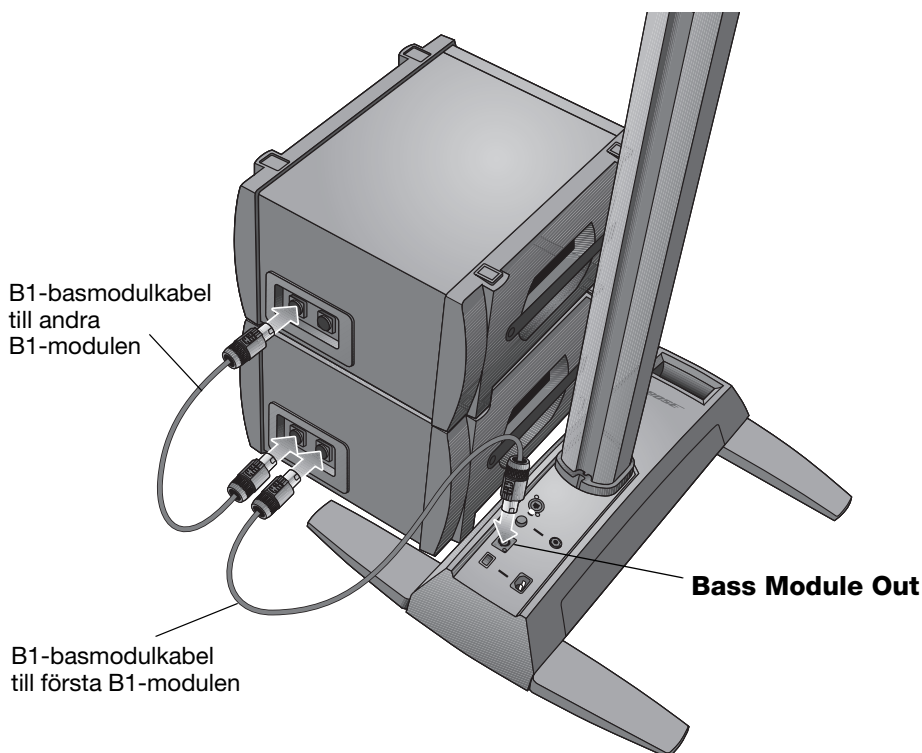
Basmoduluttaget på strömstativet är tillräckligt för att strömsätta en eller två B1- basmoduler. Modulerna kan staplas när de placeras horisontellt (Bild 7).

**⚠ FÖRSIKTIGHET!** Anslut inte mer än två B1-basmoduler till **Bass Module Out**-uttaget på stativet. Om du försöker strömsätta mer än två B1-basmoduler från det här uttaget kommer stativets förstärkare att laddas på ett felaktigt sätt, vilket leder till att systemet inte används med hela sin prestanda.

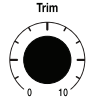
1. Anslut den första B1-modulen till **Bass Module Out**-uttaget på stativet.
2. Anslut ena änden till den andra B1-modulkabeln till den oanvända kontakten på den första B1-modulen. Anslut kabelns andra ände till ett av uttagen på den andra B1-modulen.

### Bild 7

Installation av två B1-basmoduler



## Ställa in den analoga ingångsnivån



När du ansluter en ljudkälla till **Analog Input**-uttaget ska du följa dessa steg för att justera **Trim**-kontrollen för ingångar.

1. Ställ in **Trim**-kontrollen på stativet till positionen 0 (noll).
2. Anslut ljudkällan till **Analog Input**-uttaget.
3. Justera volymen på ljudkällan till önskad nivå.
4. När du spelar upp från källan ska du öka **Trim**-nivån tills indikatorn **Signal/Clip** lyser grönt eller gult.
5. Om indikatorn **Signal/Clip** lyser rött ska du minska **Trim**-nivån så att den bara lyser grönt eller gult.

## Använda en T1 ToneMatch® audio engine och en analog ingångskälla

L1® Model II-systemet kan användas tillsammans med både en T1 ToneMatch audio engine och en analog ljudkälla som har anslutits till stativet. Tänk dock på att volymnivåerna för din audio engine och för den analoga ljudkällan justeras oberoende av varandra.

- Stativets **Trim**-kontroll påverkar endast volymnivån på den analoga ljudkällan som har anslutits till **Analog Input**-uttaget. Därför visar indikatorn **Signal/Clip** endast status för den analoga ingångssignalen.
- T1 ToneMatch audio engine har en **Trim**-kontroll och en signal/clip-indikator för varje ingång, en **volym**-kontroll för varje utgångskanal och en **Master**-volymkontroll som justerar nivån på utmatningen från ToneMatch som skickas till stativet. Dessa kontroller har ingen effekt på signalerna som matas till **Analog Input**-uttaget.

## Användarscenarion

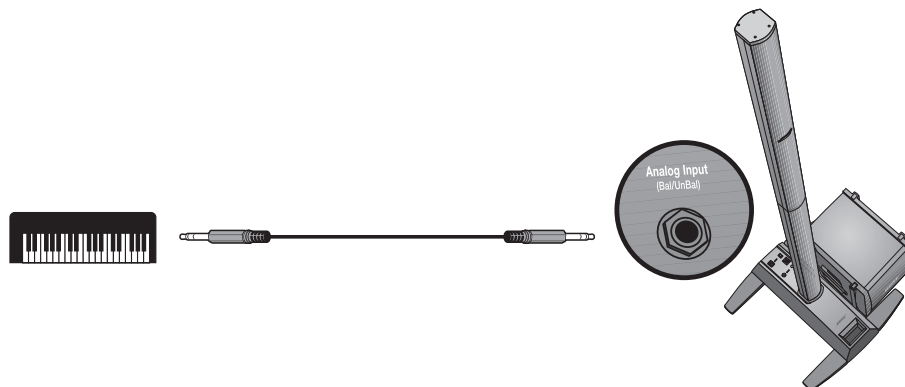
Det finns många olika sätt att ställa in och använda detta system med eller utan en T1 ToneMatch audio engine. Följande sidor visar exempel på några vanliga användarscenarion. Om du använder en T1 ToneMatch audio engine ska du läsa i dess bruksanvisning för mer information om dess inställning och användning.

### Enskild musiker

En solomusiker kan spela ett instrument genom L1 Model 1S-systemet (Bild 1). En solomusiker kan även spela ett instrument och använda en mikrofon för att lägga till sång (Bild 2 på sidan 16).

#### Bild 1

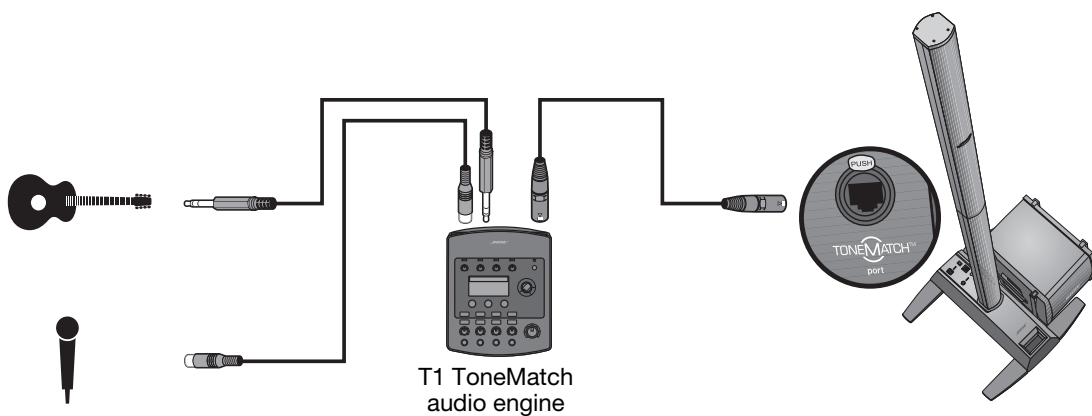
Enkelt system med keyboard



## BRUKSINFORMATION

**Bild 2**

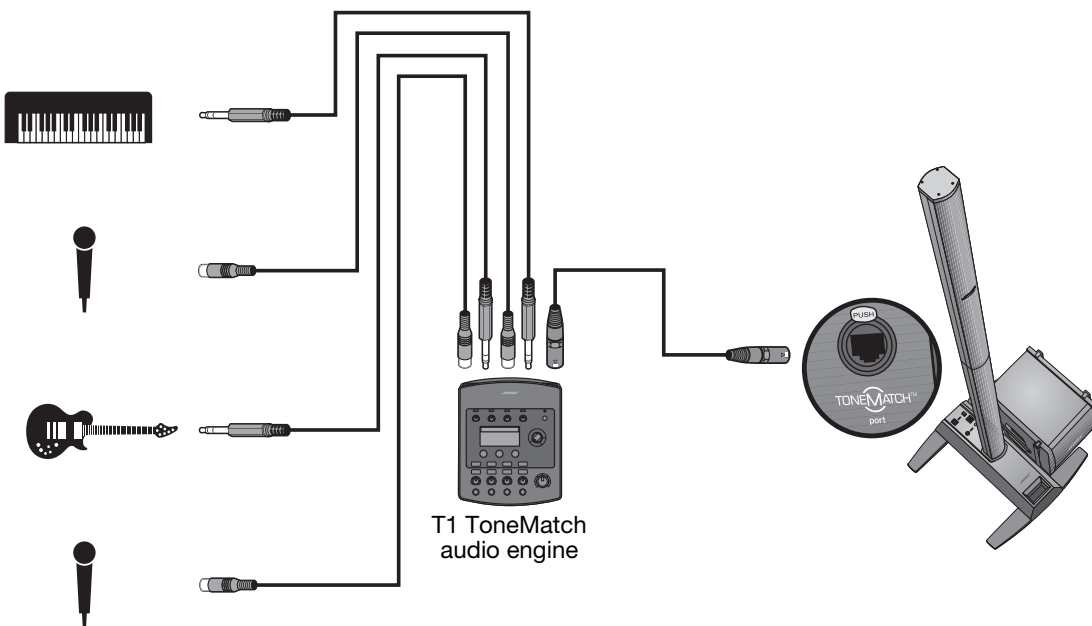
Enkelt system med gitarr och mikrofon

**Flera musiker**

I detta exempel sjunger och spelar två personer med keyboard och gitarr genom en T1 ToneMatch och ett L1®-system.

**Bild 3**

Enkelt system med flera instrument och en T1 ToneMatch audio engine

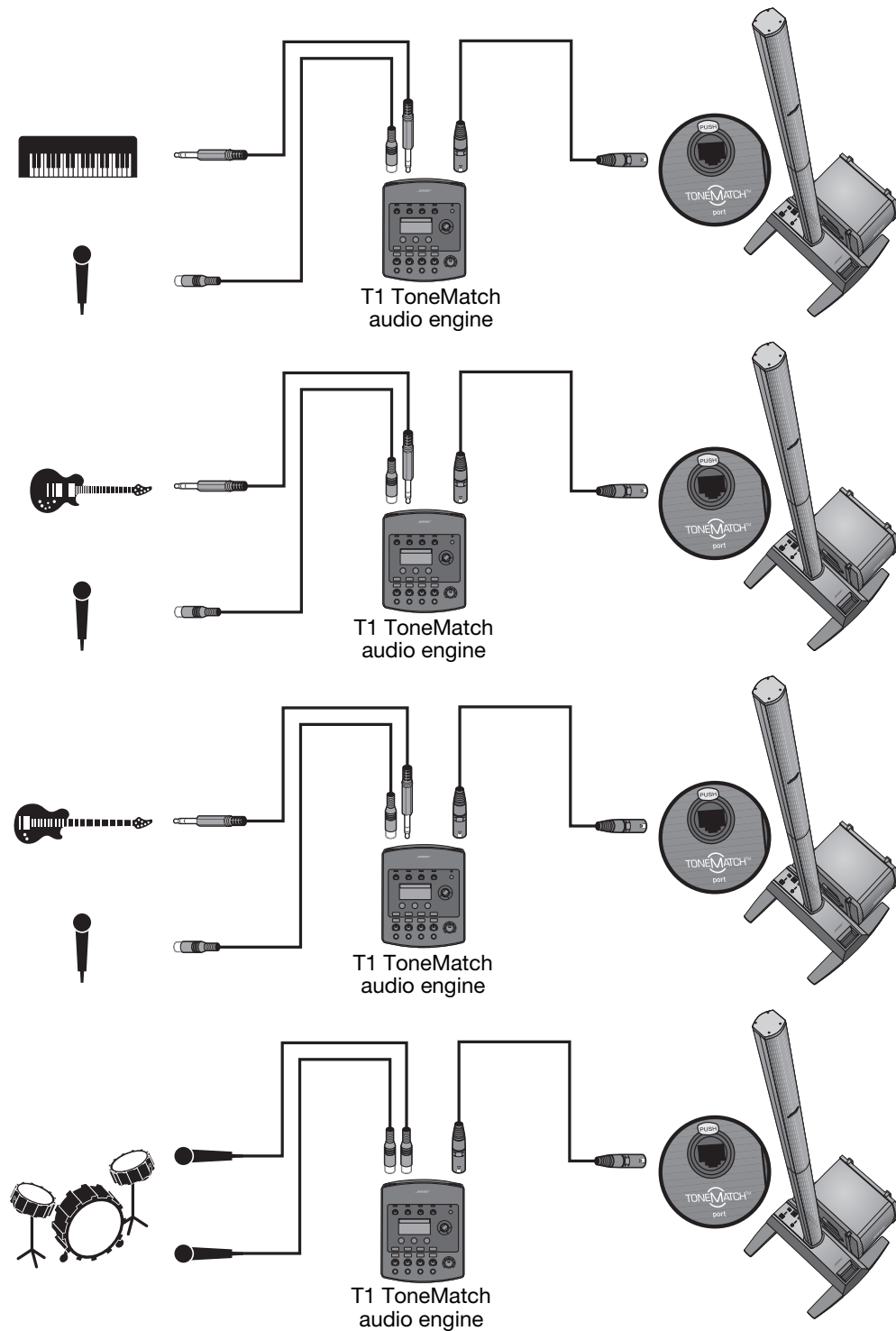


## Helt band

Ett scenario med ett helt band byggs runt flera T1 ToneMatch® audio engines och flera L1® Model II-system. Varje musiker spelar och sjunger genom en enkel T1 ToneMatch audio engine och ett L1-system.

### Bild 4

Flera -system, med varsin  
T1 ToneMatch audio engine



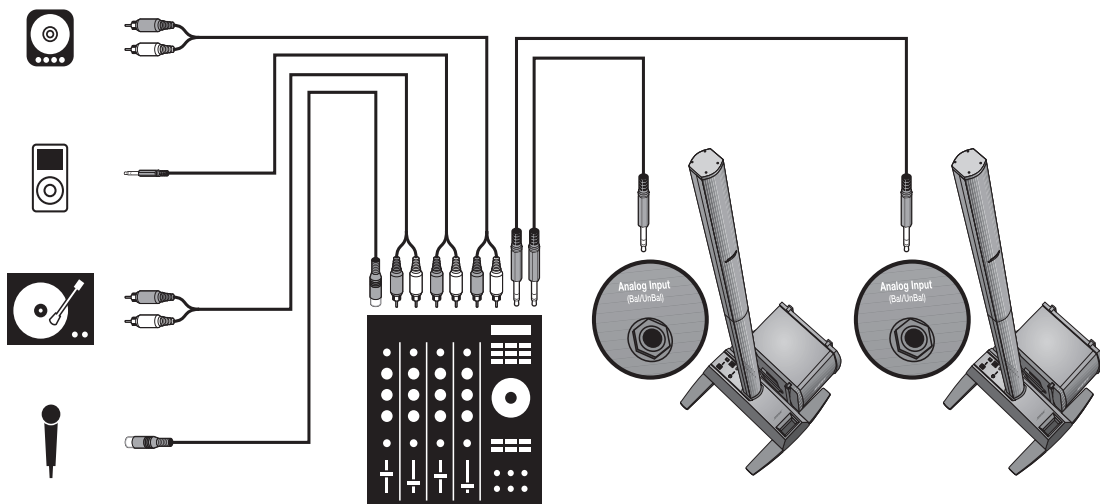
## BRUKSINFORMATION

**DJ-jobb**

DJ:s använder många olika typer av ingångskällor (CD-spelare, skivspelare, MP3-spelare etc.) som kopplats till en mixer. I detta scenario kan två mixersignaler matas till två L1®-system för stereoljud.

**Bild 5**

*Två system, a mixer och utenheter*



**Sköta din produkt****Rengöring**

- Rengör endast produkthöljet med en mjuk, torr trasa.
- Använd inte några lösningsmedel, kemikalier eller rengöringslösningar som innehåller alkohol, ammoniak eller slipmedel.
- Använd inga sprejer i närheten av produkten och låt inte vätska rinna ned i eventuella öppningar.
- Vid behov kan du försiktigt dammsuga fronten på L1®-högtalaren.

**Erhålla service**

För ytterligare hjälp med problemlösning, kontakta Bose® Live Music Customer Service Product and Technical Support Team på (877) 335-2673 eller besök vår kundtjänst online på [www.Bose.com/livesound](http://www.Bose.com/livesound).

**Felsökning**

Om du upplever problem när du använder denna produkt ska du pröva följande åtgärder. Om du fortfarande inte kan lösa problemet kan du ringa Bose Live Music Product and Technical Support Team direkt på (877) 335-2673 för att få hjälp.

**Rekommenderade felsökningsverktyg**

- Bärbar voltmeter
- Kabeltestare
- Spänningstestare för vägguttag
- XLR- och 0,62 cm (¼ tum) kontaktskablarna
- B1-basmodulkabel med 4 ledare
- Extra nätsladd (växelström)

<b>Problem</b>	<b>Åtgärd</b>
Systemet är anslutet, strömbrytaren påslagen, men LED-lampan lyser inte	<ul style="list-style-type: none"> <li>• Kontrollera att du har ström i vägguttaget. Prova att sätta i en lampa eller annan utrustning i samma vägguttag eller testa uttaget med en spänningstestare.</li> <li>• Kontrollera att stativets strömkontakt har satts i ordentligt i vägguttaget.</li> </ul>
LED-lampan lyser (grönt), men inget ljud	<ul style="list-style-type: none"> <li>• Kontrollera att du har vridit upp volymkontrollen på ditt instrument.</li> <li>• Kontrollera att <b>Trim</b>-nivåkontrollen på stativet har vridits upp.</li> <li>• Kontrollera att ditt instrument är anslutet till <b>Analog Input</b>-uttaget.</li> <li>• Anslut ditt instrument till stativet med en annan kabel.</li> <li>• Anslut ditt instrument till en annan förstärkare för att kontrollera att instrumentet fungerar.</li> </ul>
LED-lampan lyser rött när stativet är påslaget	<ul style="list-style-type: none"> <li>• Ring till Bose Live Music Customer Support på (877) 335-2673 för att få hjälp.</li> </ul>
Husets automatsäkring utlöses hela tiden	<ul style="list-style-type: none"> <li>• Om mer än ett stativ är anslutet till samma vägguttag ska de inte slås på samtidigt. Varje stativ har en startström på omkring 32 ampere när det slås på.</li> <li>• Om du har mer än tre stativ anslutna till en enda krets på 15 ampere ska du flytta några system till ett annat vägguttag. Varje stativ kan dra 5 ampere eller mer när man spelar på höga volymer under långa tidsperioder.</li> </ul>

## SKÖTSEL OCH UNDERHÅLL

<b>Problem</b>	<b>Åtgärd</b>
Ett svagt <i>surr</i> eller <i>brus</i> hörs när ingen utrustning har anslutits till stativet	<ul style="list-style-type: none"> <li>• Använd en spänningstestare och testa det vägguttag som stativet är anslutet till för öppna (strömförande, neutrala och/eller jordade) kontakter.</li> <li>• Om du använder en förlängningssladd ska du kontrollera att även den sladden testas enligt ovan.</li> </ul>
B2- eller B2-basmodulen är inkopplad, men inget basljud hörs	<ul style="list-style-type: none"> <li>• Kontrollera att du använder den medföljande B1-/B2-basmodulkabeln med fyra ledare.</li> <li>• Kontrollera att B1-/B2-basmodulkabeln är ansluten till <b>Bass Module Out</b>-uttaget och att kabelkontakten har satts in ordentligt i uttaget.</li> <li>• Försök med en annan kabel med 4 ledare.</li> <li>• Om du har möjlighet kan du försöka med en annan B1-/B2-basmodul.</li> </ul>
B1-basmodulen låter som om den är i obalans med systemet	<ul style="list-style-type: none"> <li>• Kontrollera att du använder den B1-/B2-basmodulkabel med fyra ledare som följer med i B1-basmodulen.</li> <li>• Se till att B1-/B2-basmodulens grill är vänd mot musikerna och publiken.</li> </ul>
Inga medelhöga eller höga ljud hörs från överdelen på L1®	<ul style="list-style-type: none"> <li>• Kontrollera att överdelen på L1 och underdelen är säkert anslutna.</li> <li>• Kontrollera att kontakterna inte är böjda eller trasiga.</li> <li>• Prova att rengöra kontakterna på högtalarens över- och underdel med elektrisk kontaktspray.</li> </ul>
Ljudet från instrument eller ljudkällor är förvrängt	<ul style="list-style-type: none"> <li>• Kontrollera att LED-lampan Signal/Clip inte lyser konstant rött. Om den gör det ska du sänka trim-nivån.</li> <li>• Prova med en annan ljudkälla eller ett annat instrument.</li> <li>• Testa din källa eller ditt instrument på ett annat stativ.</li> </ul>
Mikrofonen får rundgång	<ul style="list-style-type: none"> <li>• Placera mikrofonen så att den inte riktas direkt mot dess L1-högtalare.</li> <li>• Prova med en annan mikrofon.</li> <li>• Prova med en annan position för högtalaren och/eller vokalisten på scen.</li> <li>• Öka avståndet mellan högtalaren och mikrofonen.</li> <li>• Om du använder en vokal effektprocessor ska du kontrollera att den inte orsakar rundgångs- problemet.</li> </ul>



## Begränsad garanti och registrering

Din produkt omfattas av en begränsad garanti. Uppgifter om garantin följer med produkten. Registrera dina produkter online på [www.Bose.com/register](http://www.Bose.com/register) eller ring till (800) 905-1044. Om du inte gör det påverkas inte dina garantianspråk.

## Tillbehör

Gå till [www.Bose.com/livesound](http://www.Bose.com/livesound) eller ring till (800) 905-0886 för ytterligare information.

## Teknisk information

### Mekanik

Komponent	Mått	Vikt
Stativ:	12,8 cm H x 26,2 cm B x 69,2 cm D (5" x 10" x 27")	10,7 kg (23,7 lb)
Överdel:	111,0 cm H x 9,0 cm B x 10,5 cm D (43" x 3" x 4")	7,4 kg (16,3 lb)
Underdel:	100,6 cm H x 10,6 cm B x 10,5 cm D (39,63" x 4,15" x 4,13")	3,8 kg (8,5 lb)
B1-basmodul:	38,0 cm H x 26,0 cm B x 45,0 cm D (15" x 10" x 17")	11,4 kg (25,1 lb)
B2-basmodul:	59,4 cm H x 33,8 cm B x 48 cm D (23,4" x 13,31" x 18,9")	20,41 kg (45 lb)

### Elektronik

- Spänning (växelström):  
100-120V ~ 50/60Hz 500W (USA/Kanada); 220-240V ~ 50/60Hz 500W (Europa)
- Högsta startström:  
32A @ 120V ~ 60 Hz (USA/Kanada); 61A @ 230V ~ 50 Hz (Europa)

Komponent	Impedans
L1® Model 1S-högtalare:	4 Ω
B1-basmodul:	8 Ω
B2-basmodul:	4 Ω

### Ljudingång/utgång

- T1 ToneMatch®-port: Likströmsutmatning/datainmatning Ethercon/RJ45-kontakt för en T1 ToneMatch audio engine
- Analog ingång: Linjenivåingång för 0,62 cm (¼") TRS-kontakt
- Bass Module Out: Neutrik® NL4-utmatning för en eller två B1-basmoduler

L1 och ToneMatch är registrerade varumärken som tillhör Bose Corporation i USA och andra länder. Alla andra varumärken tillhör respektive ägare.







356145-0010

***BOSE***<sup>®</sup>  
*Better sound through research*<sup>®</sup>

©2012 Bose Corporation, The Mountain,  
Framingham, MA 01701-9168 USA  
AM356145 Rev.00  
[www.Bose.com/livesound](http://www.Bose.com/livesound)