



FreeSpace FS2C & FS4CE

Adjustable Tile Bridge


Installation Guide.....	2	Monteringsveiledning.....	14
Guía de instalación.....	4	Instrukcja montażu.....	16
Notice d'installation.....	6	安装指南.....	18
Installationsanleitung.....	8	安装指南.....	20
Guida all'installazione.....	10	設置ガイド.....	22
Installatiehandleiding.....	12	24.....	دليل التركيب


Important Safety Instructions


Please read and keep all safety and use instructions.

This product is intended for installation by professional installers only! This document is intended to provide professional installers with basic installation and safety guidelines for this product in typical fixed-installation systems. Please read this document and all safety warnings before attempting installation.

WARNINGS/CAUTIONS:

 All Bose products must be installed in accordance with local, state, federal and industry regulations. It is the installer's responsibility to ensure installation of the loudspeakers and mounting system is performed in accordance with all applicable codes, including local building codes and regulations. Consult the local authority having jurisdiction before installing this product.

 Unsafe mounting or overhead suspension of any heavy load can result in serious injury or death, and property damage. It is the installer's responsibility to evaluate the reliability of any mounting method used for their application. Only professional installers with the knowledge of proper hardware and safe mounting techniques should attempt to install any loudspeaker overhead.

 Do not mount on surfaces that are not sturdy, or that have hazards concealed behind them, such as electrical wiring or plumbing. Ensure the bracket is installed by a qualified professional installer and in accordance with local building codes.

Regulatory Information

Date of Manufacture: The eighth digit in the serial number indicates the year of manufacture; "7" is 2007 or 2017.

China Importer: Bose Electronics (Shanghai) Company Limited, Part C, Plant 9, No. 353 North Riyang Road, China (Shanghai) Pilot Free Trade Zone

EU Importer: Bose Products B.V., Gorslaan 60, 1441 RG Purmerend, The Netherlands

Mexico Importer: Bose de México, S. de R.L. de C.V., Paseo de las Palmas 405-204, Lomas de Chapultepec, 11000 México, D.F.

For importer & service information: +5255 (5202) 3545

Taiwan Importer: Bose Taiwan Branch, 9F-A1, No. 10, Section 3, Minsheng East Road, Taipei City 104, Taiwan. Phone Number: +886-2-2514 7676

Bose Corporation Headquarters: 1-877-230-5639

Bose and FreeSpace are trademarks of Bose Corporation.

©2020 Bose Corporation. No part of this work may be reproduced, modified, distributed or otherwise used without prior written permission.

Warranty Information

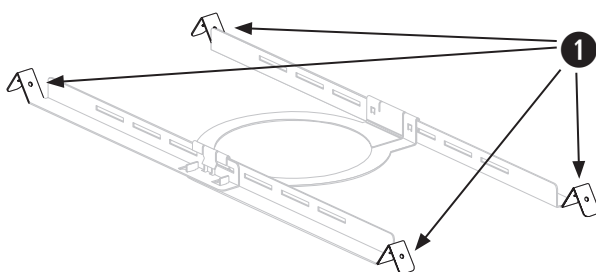
This product is covered by a limited warranty. For warranty details, visit PRO.BOSE.COM.

Using a Safety Cable

Some regional construction codes require the use of a secondary method of securing loudspeakers to support structures to provide additional safety. Choose a mounting position, method, and hardware consistent with local building codes and regulations.

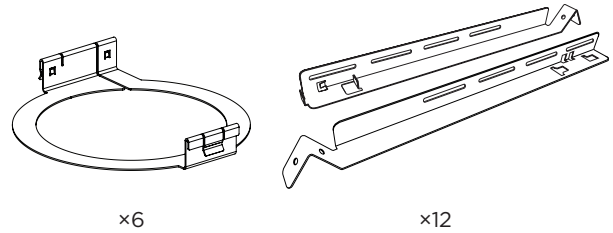
Bose recommends using (1) a safety wire as a secondary securing mechanism. See the diagram below for safety attachment points.

Follow the manufacturer's instructions for any secondary securing mechanism implemented.

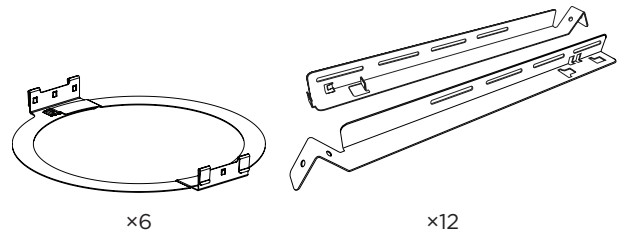


Package Contents

FreeSpace FS2C Tile Bridge Pack



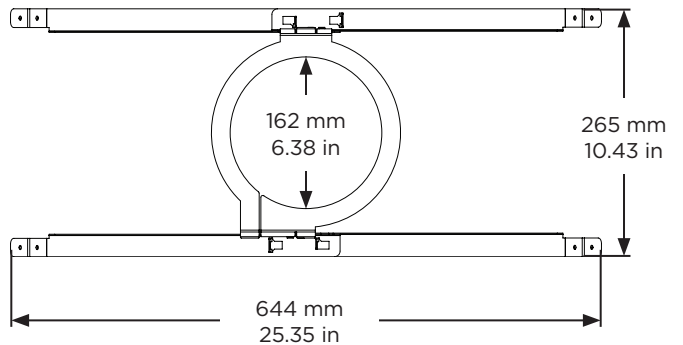
FreeSpace FS4CE Tile Bridge Pack



Product Dimensions

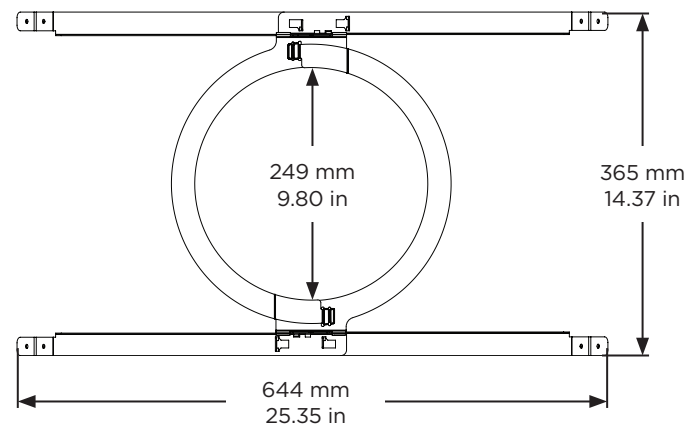
FreeSpace FS2C

0.72 kg (1.59 lb)



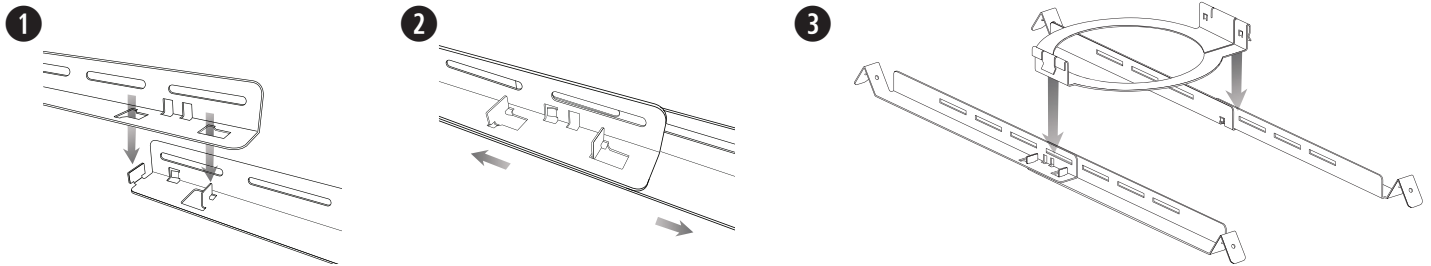
FreeSpace FS4CE

0.86 kg (1.90 lb)



Assembling the Tile Bridge

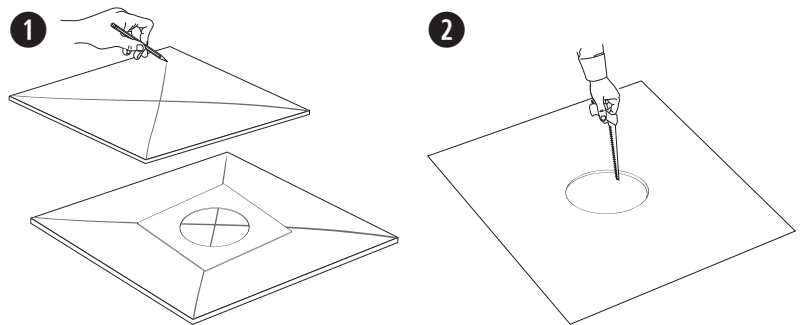
1. Align the rails and insert the tabs into the slots.
2. Pull the rails outward to secure them together.
Note: If you are installing in a hard ceiling, assemble the tile bridge after inserting the rails and ring through the hole cutout.
3. Align the rails parallel to each other and press the tile bridge ring down to secure the ring to the rails.



Installing a Tile Bridge in Acoustic Ceiling Tile

Cutting the Ceiling Tile

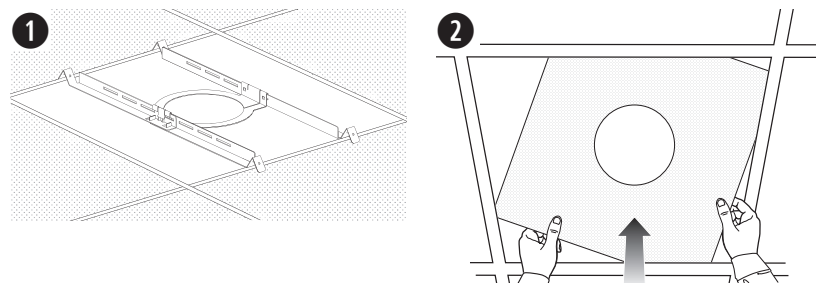
1. Remove the tile and use the template included with your loudspeaker to trace a loudspeaker hole onto the tile. To center the template on the tile, draw an X by connecting the corners diagonally and center the template using the crossing point.
2. Cut a hole into the tile.



Installing the Tile Bridge

1. Place the assembled tile bridge across the ceiling grid. If necessary, adjust the tile bridge so the rails rest on the ceiling grid.
2. Replace the tile in the ceiling.

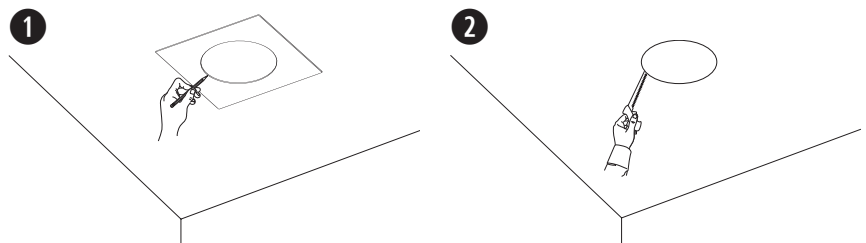
For instructions on loudspeaker installation, see the **Mounting the Loudspeaker** section in the appropriate loudspeaker installation guide.



Installing a Tile Bridge in Hard Ceiling (Existing Construction)

Cutting the Ceiling

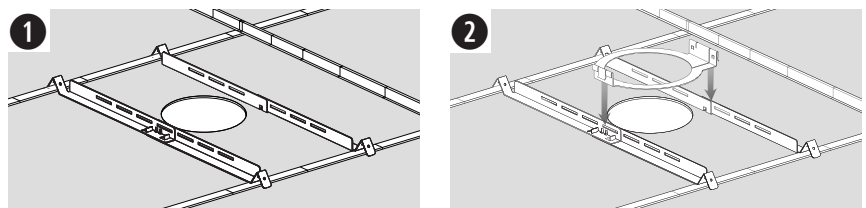
1. Use the template to trace a hole onto the ceiling.
2. Cut a hole into the ceiling.



Installing the Tile Bridge

1. Insert the tile bridge rails and ring through the hole and place the rails parallel to each other across the ceiling grid or ceiling furring.
2. Assemble the tile bridge.

For instructions on loudspeaker installation, see the **Mounting the Loudspeaker** section in the appropriate loudspeaker installation guide.





850711-0010

©2020 Bose Corporation, All rights reserved.
Framingham, MA 01701-9168 USA
PRO.BOSE.COM
AM850711 Rev. 00
January 2020

